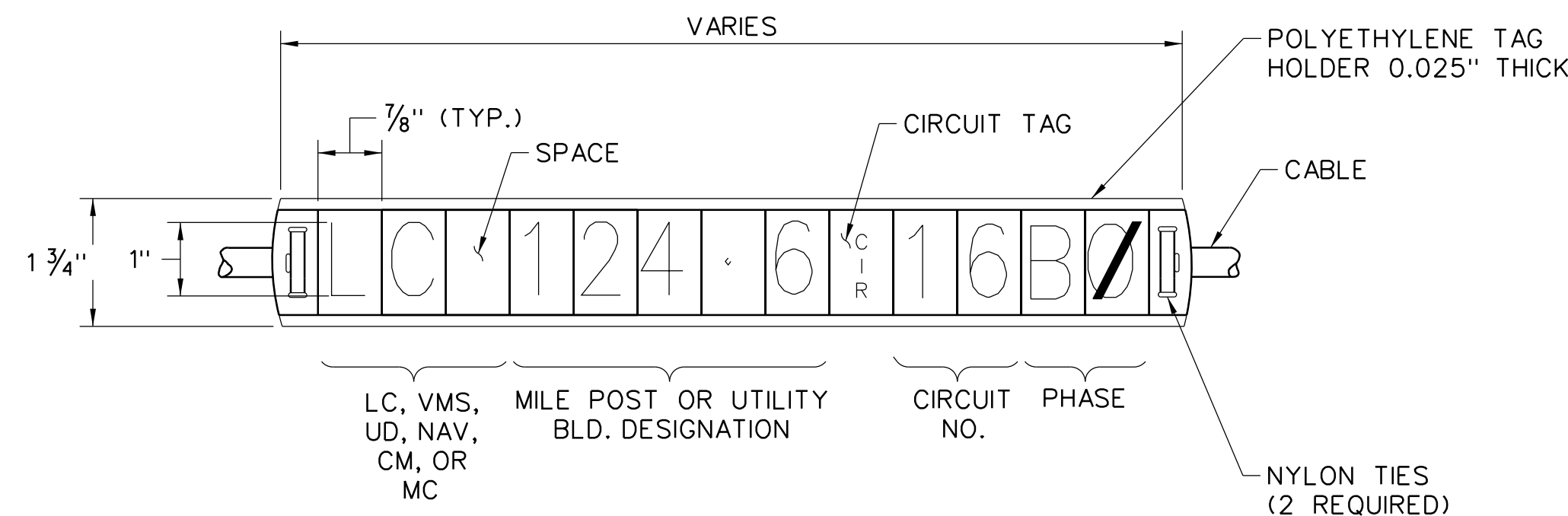


CONDUIT END RODENT BLOCKING DETAIL

NOT TO SCALE
(SEE NOTE 2)

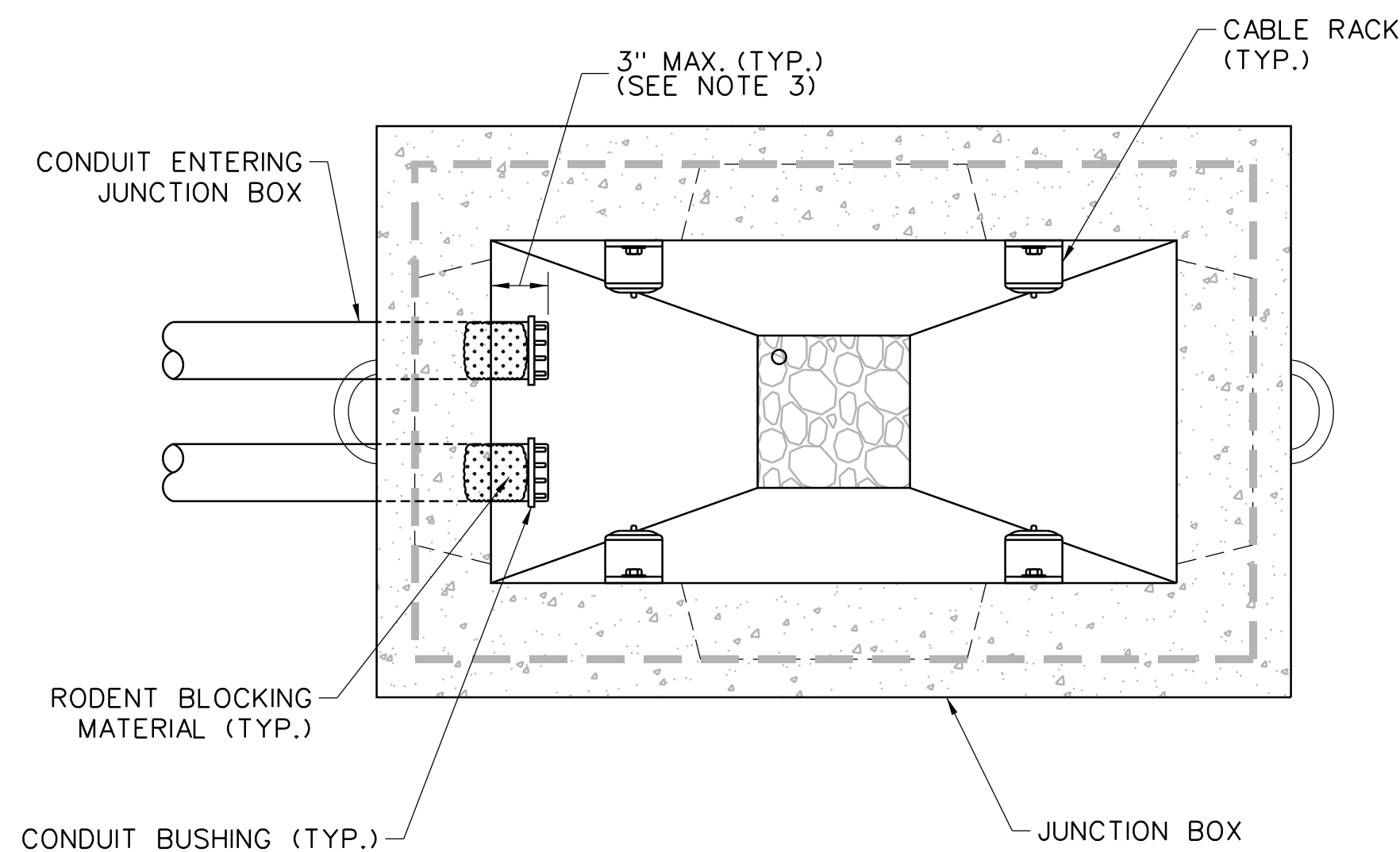


CABLE IDENTIFICATION TAG DETAILS

(SEE NOTES 5 TO 7)
SCALE: 6" = 1'-0"

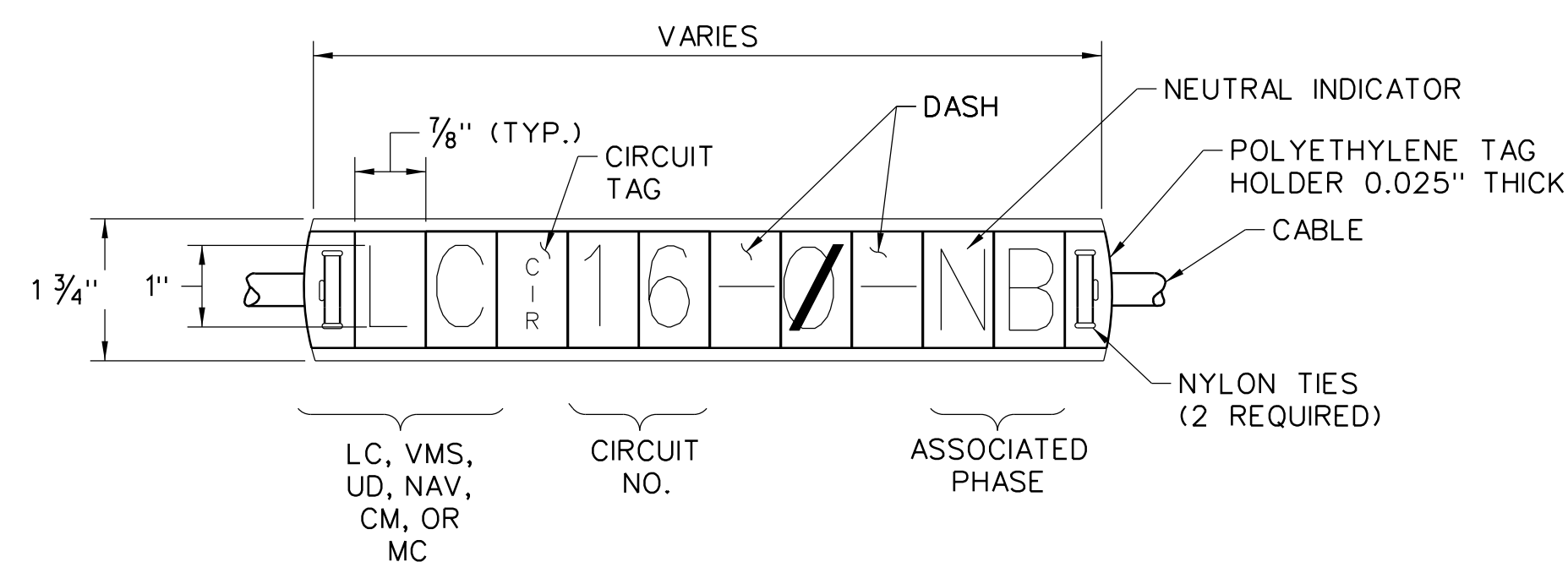
NOTES

1. DETAIL SHOWN SHALL BE USED AT ALL LOCATIONS WHERE CONDUITS ARE CAST IN CONCRETE.
2. CONDUITS SHALL BE INSTALLED WITH A NYLON PULL-CORD. ENDS OF CONDUIT SHALL BE PLUGGED WITH AN APPROVED RODENT BLOCKING FOAM AND COPPER WIRE MESH. CONDUIT ENDS SHALL HAVE MINIMUM 3" OF WIRE MESH LAYER TOPPED WITH MAXIMUM 3" OF FOAM LAYER. SEALANT OR OTHER FOAM FILLERS ARE NOT ACCEPTABLE. APPROVED MATERIALS MAY BE FOUND IN THE QUALIFIED PRODUCTS LIST.
3. CONDUITS ENTERING JUNCTION BOX SHALL EXTENDED MINIMUM OF 1" AND MAXIMUM OF 3". TYPE AND NUMBER OF CONDUITS ENTERING JUNCTION BOX SHALL BE AS SHOWN ON CONTRACT PLANS.
4. NAME PLATE DETAIL SHOWN SHALL BE USED FOR ALL ENCLOSURE LABELING. LABEL INFORMATION SHALL BE MODIFIED AS NEEDED. CONTRACTOR SHALL SUBMIT LABELING SCHEME TO ENGINEER FOR APPROVAL.
5. ALL WIRES IN MANHOLES, JUNCTION BOXES, AND JUNCTION BOX FOUNDATIONS SHALL BE TAGGED. LIGHTING CIRCUIT WIRES SHALL BE TAGGED INDIVIDUALLY TO INDICATE SPECIFIC CIRCUIT AND PHASE. CONTRACTOR SHALL SUBMIT TAGGING SCHEME TO ENGINEER FOR APPROVAL.
6. CABLE TAG FOR NEUTRAL WIRE SHALL INCLUDE CIRCUIT NUMBER AND PHASE INFORMATION IF THE WIRE IS NOT BUNDLED TO PHASE WIRES. NEUTRAL CONDUCTORS SHALL BE LABELED AS "CKT-PHASE-NX", WHERE "CKT" IS THE CIRCUIT NUMBER ASSOCIATED WITH THE NEUTRAL. THE "N" IN "-PHASE-NX" DOES NOT CHANGE AND DENOTES THAT IT IS THE NEUTRAL PHASE, AND THE "X" IN "-PHASE-NX" IS THE PHASE THE NEUTRAL IS ASSOCIATED WITH.
7. TAG LETTERS SHALL BE BLACK ON YELLOW. THE PHASE SYMBOL COLOR SHALL MATCH THE CABLE IT REPRESENTS.



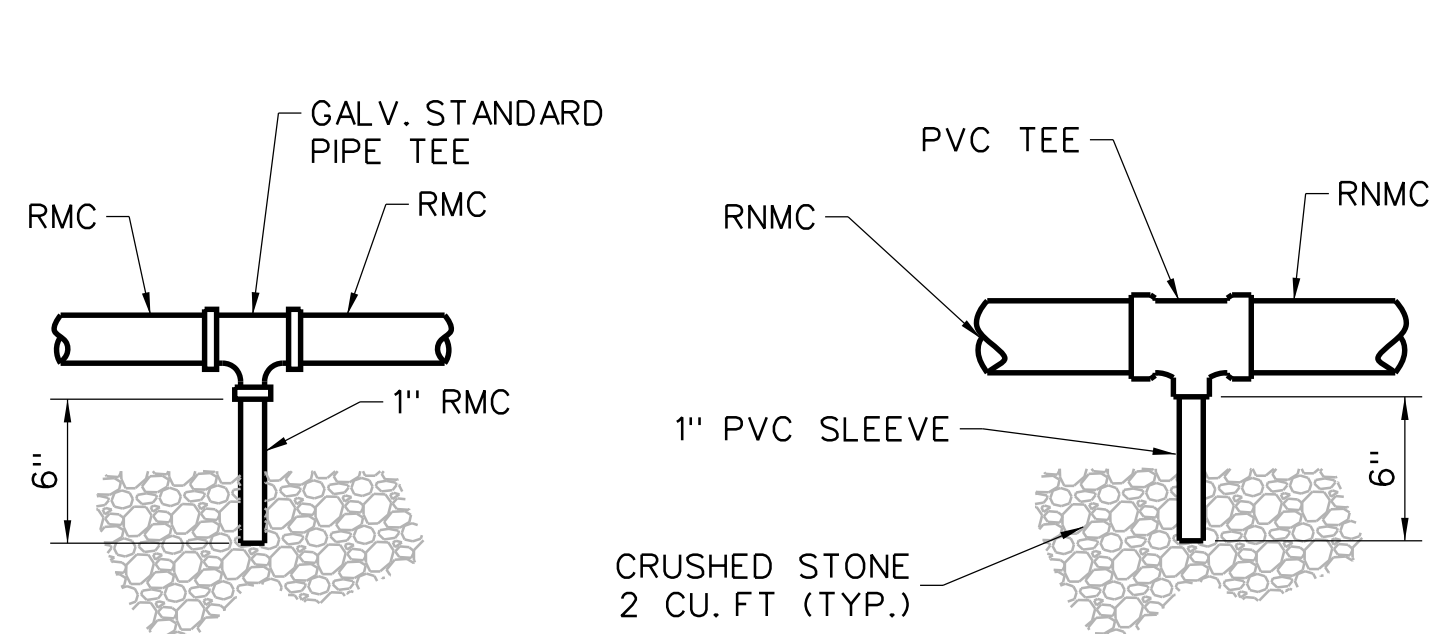
CONDUIT ENTRANCE IN JUNCTION BOX

SCALE: 1/2" = 1'-0"



NEUTRAL IDENTIFICATION TAG DETAILS

(SEE NOTES 5 TO 7)
SCALE: 6" = 1'-0"

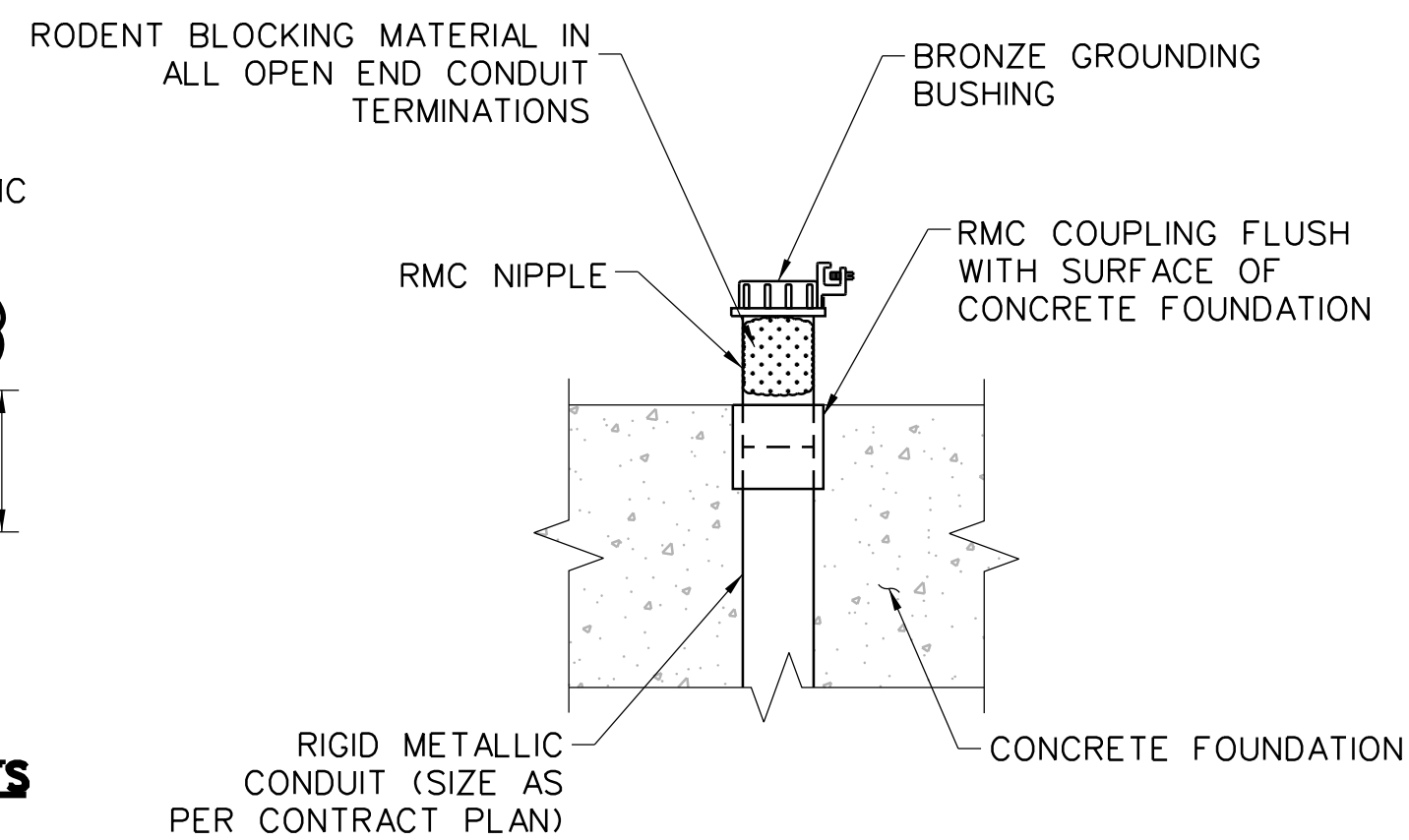


METALLIC CONDUITS

NON-METALLIC CONDUITS

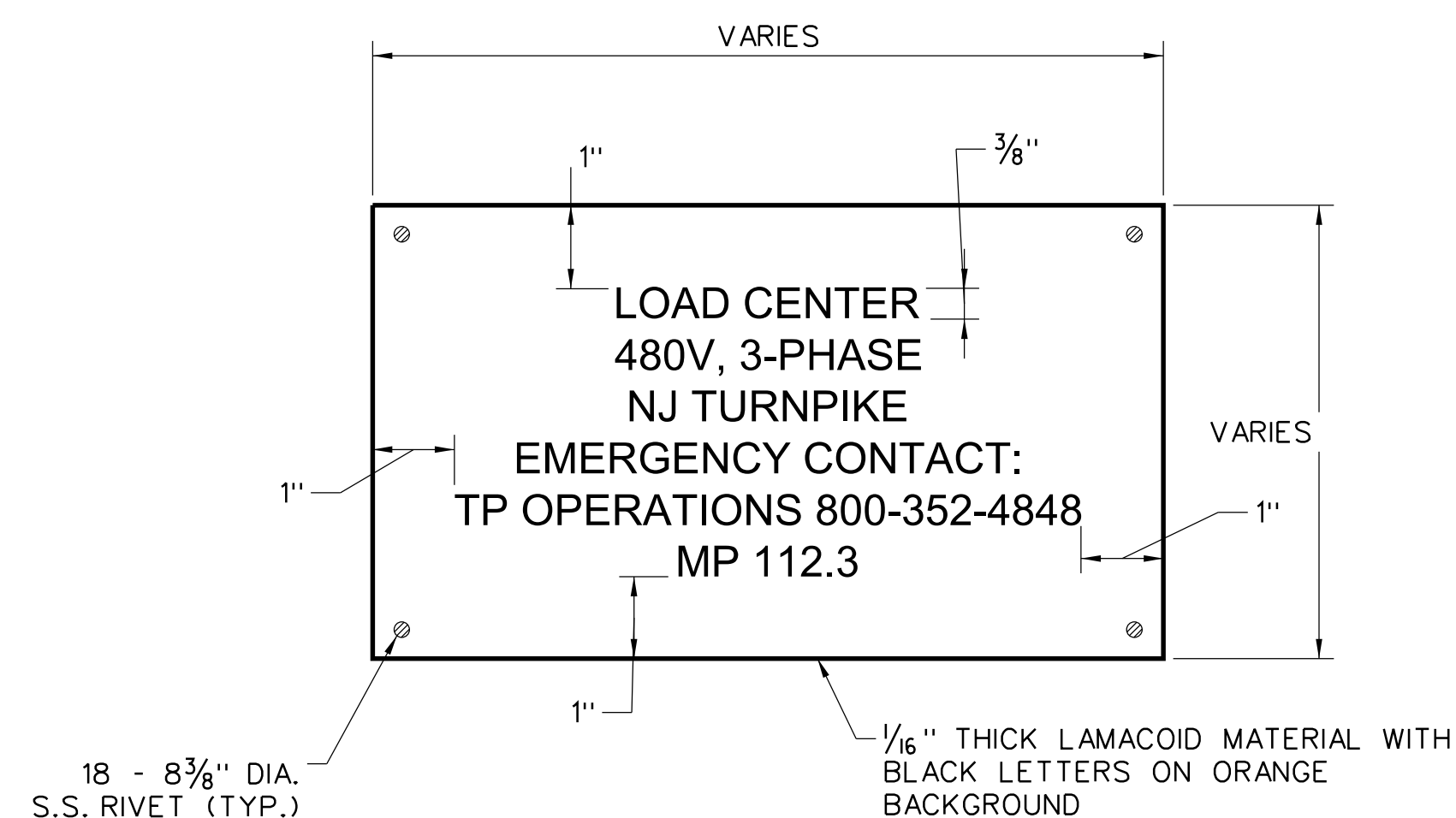
TYPICAL CONDUIT DRAINS

SCALE: 1/2" = 1'-0"



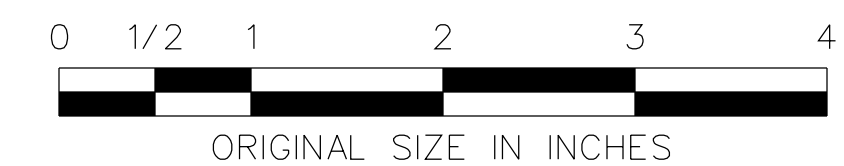
TYPICAL CONDUIT TERMINATION IN CONCRETE DETAIL

NOT TO SCALE
(SEE NOTE 1)



TYPICAL CABINET NAME PLATE DETAIL

SCALE: 6" = 1'-0"
(SEE NOTE 4)



NEW JERSEY TURNPIKE AUTHORITY
**NEW JERSEY TURNPIKE
GARDEN STATE PARKWAY**

STANDARD DRAWINGS

MISCELLANEOUS DETAILS - 1

OFFICE OF THE CHIEF ENGINEER
NEW JERSEY TURNPIKE AUTHORITY
WOODBRIIDGE, NEW JERSEY

STANDARD DRAWING

E-16

REV.	DESCRIPTION	DATE
0	REISSUED DRAWING	09/21