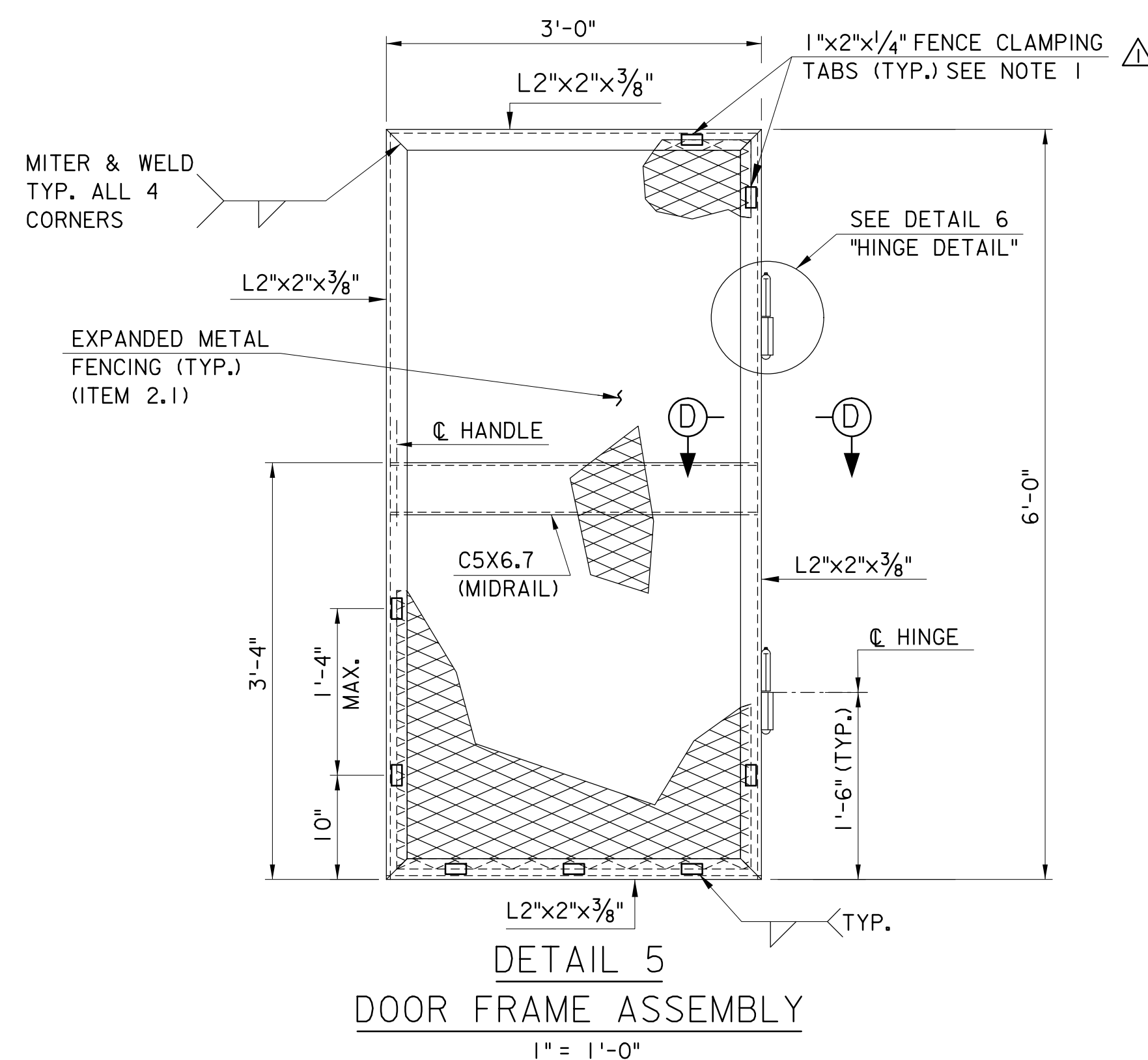
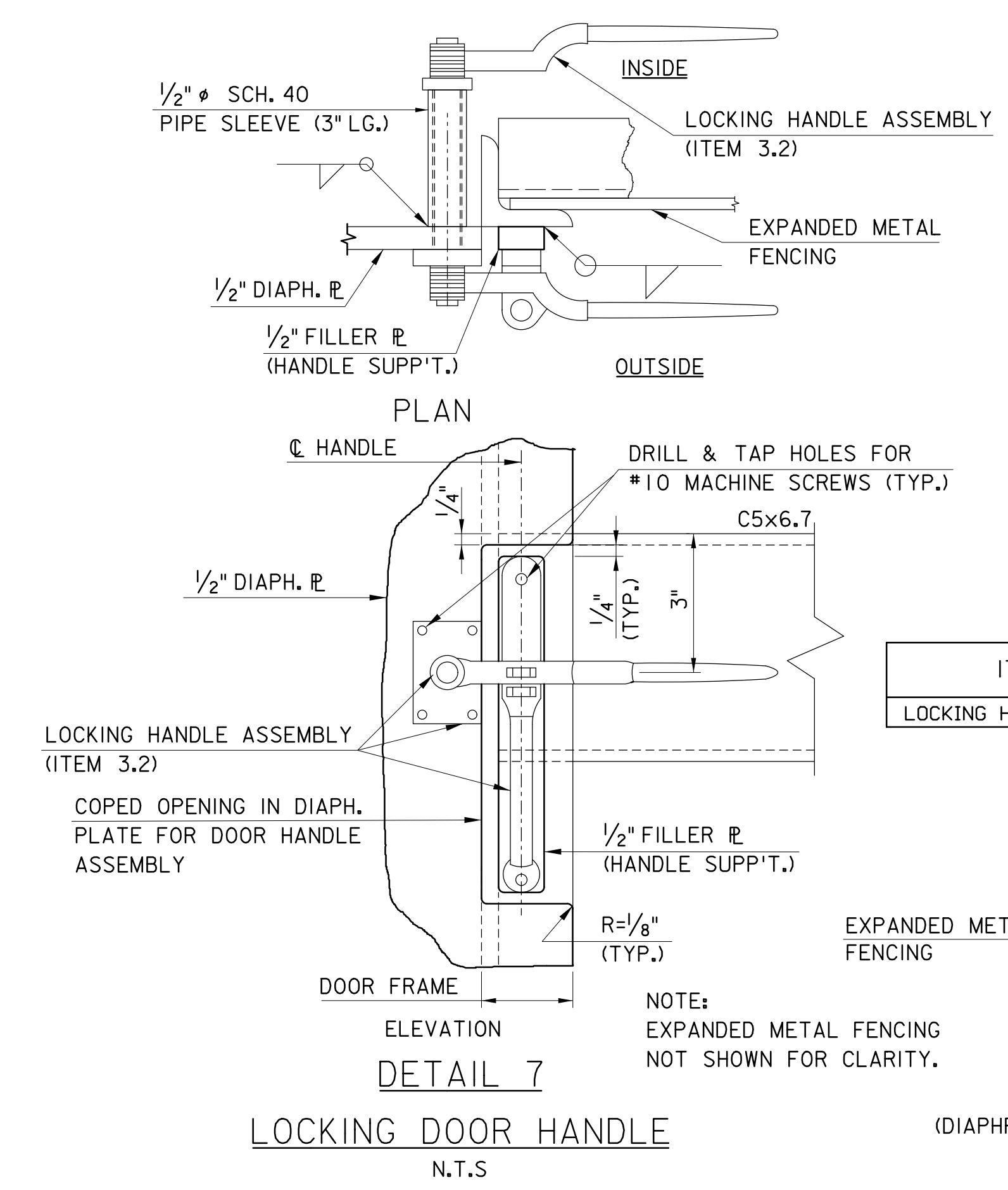


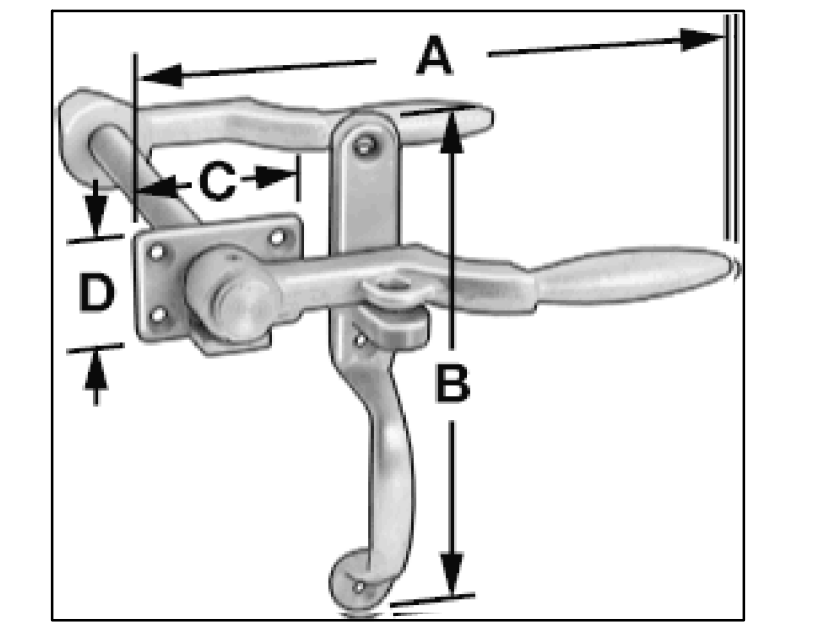
END DIAPHRAGM WITH ACCESS DOOR DETAIL
3/4" = 1'-0"



DETAIL 5
DOOR FRAME ASSEMBLY
1" = 1'-0"

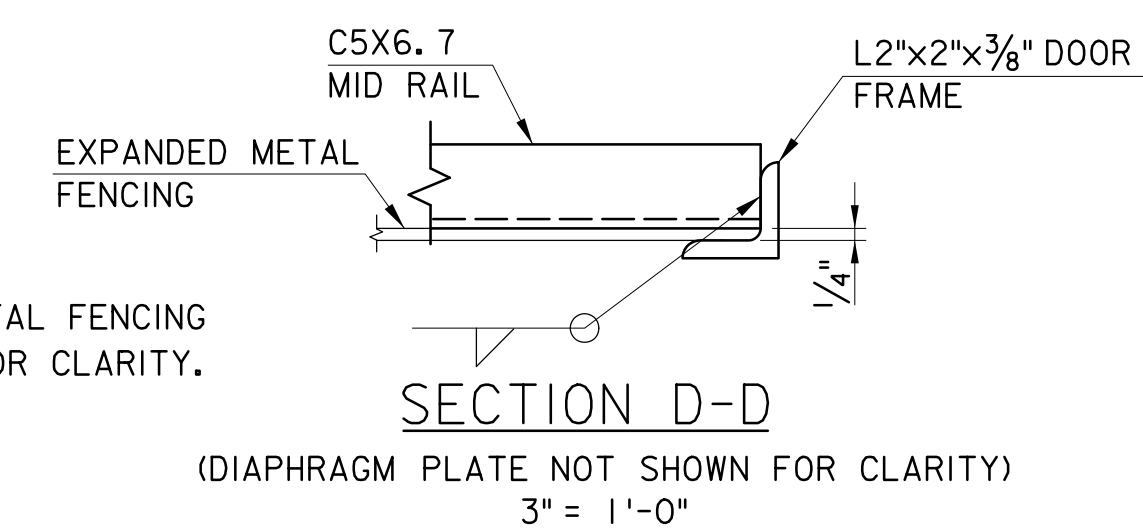


LOCKING DOOR HANDLE
N.T.S.

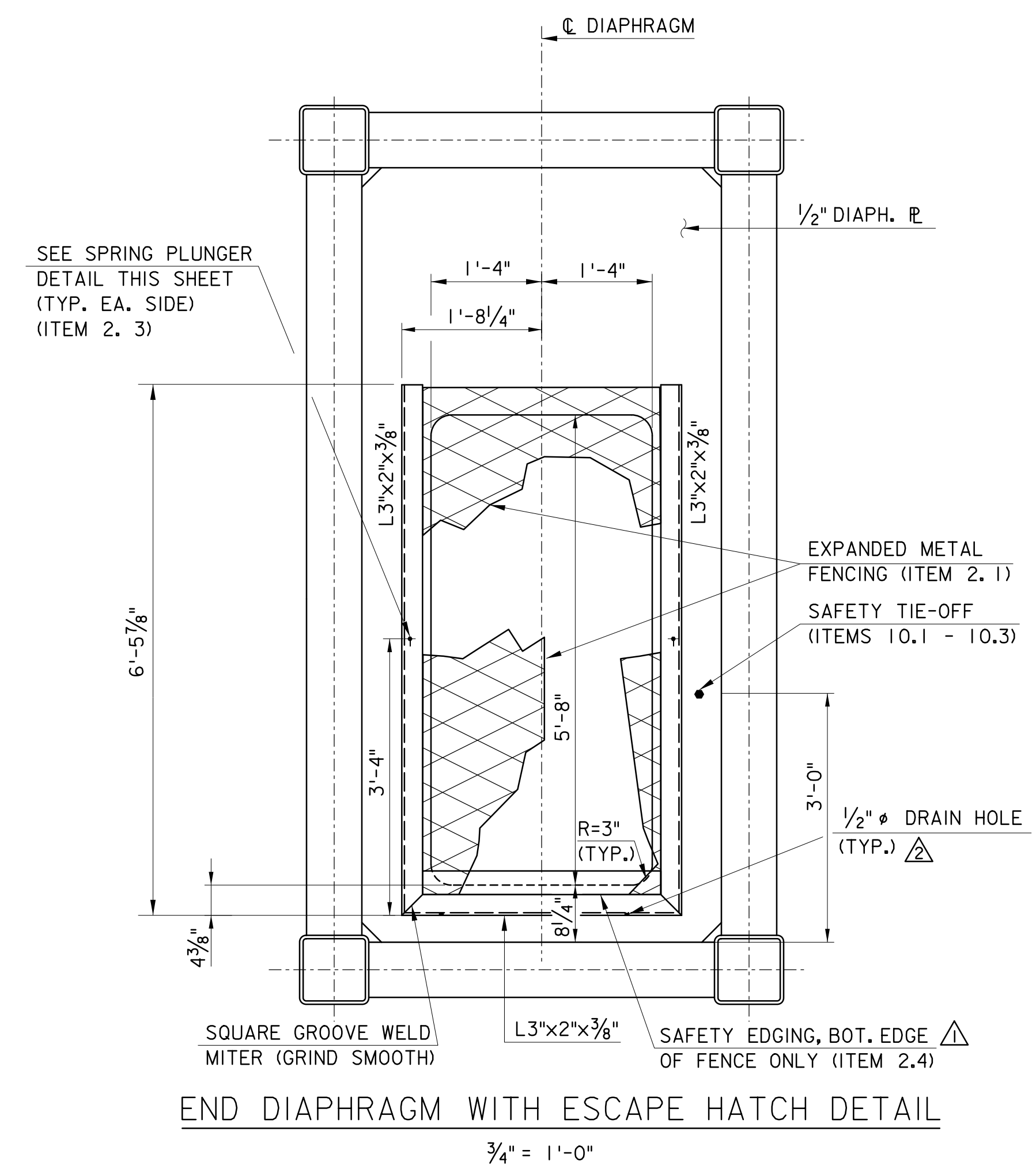


LOCKING HANDLE
(ITEM 3.2)

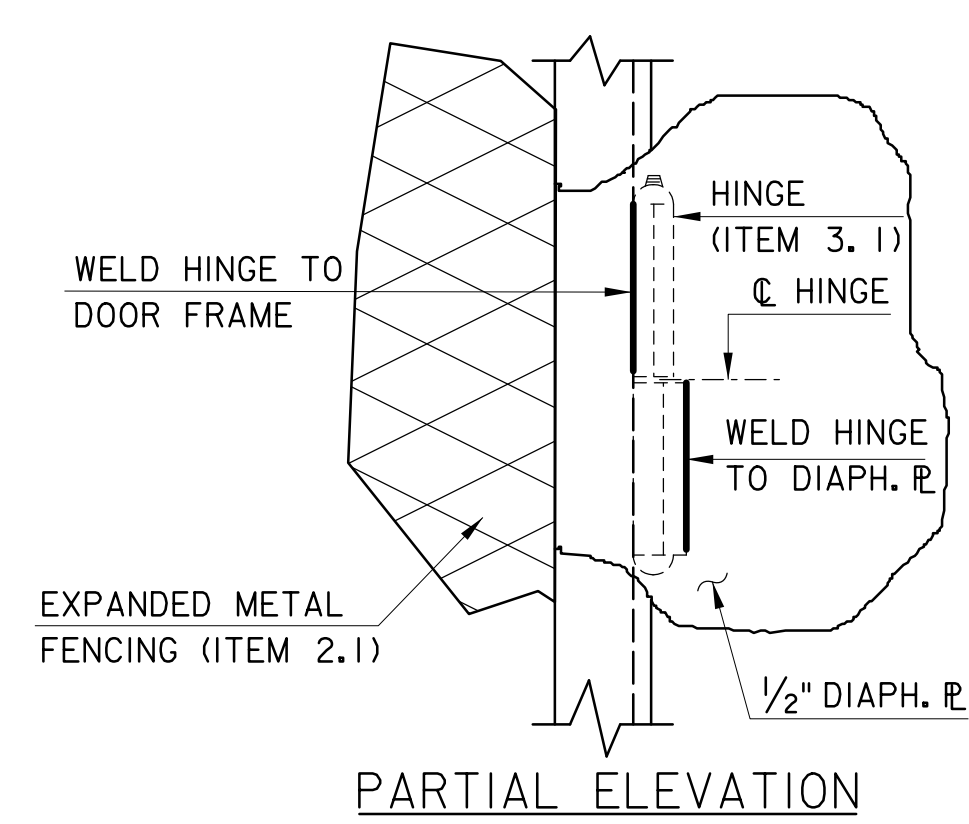
ITEM 3.2	DIMENSIONS			
	A	B	C	D
LOCKING HANDLE	7 1/4"	7 3/8"	1 1/2"	2 1/4"



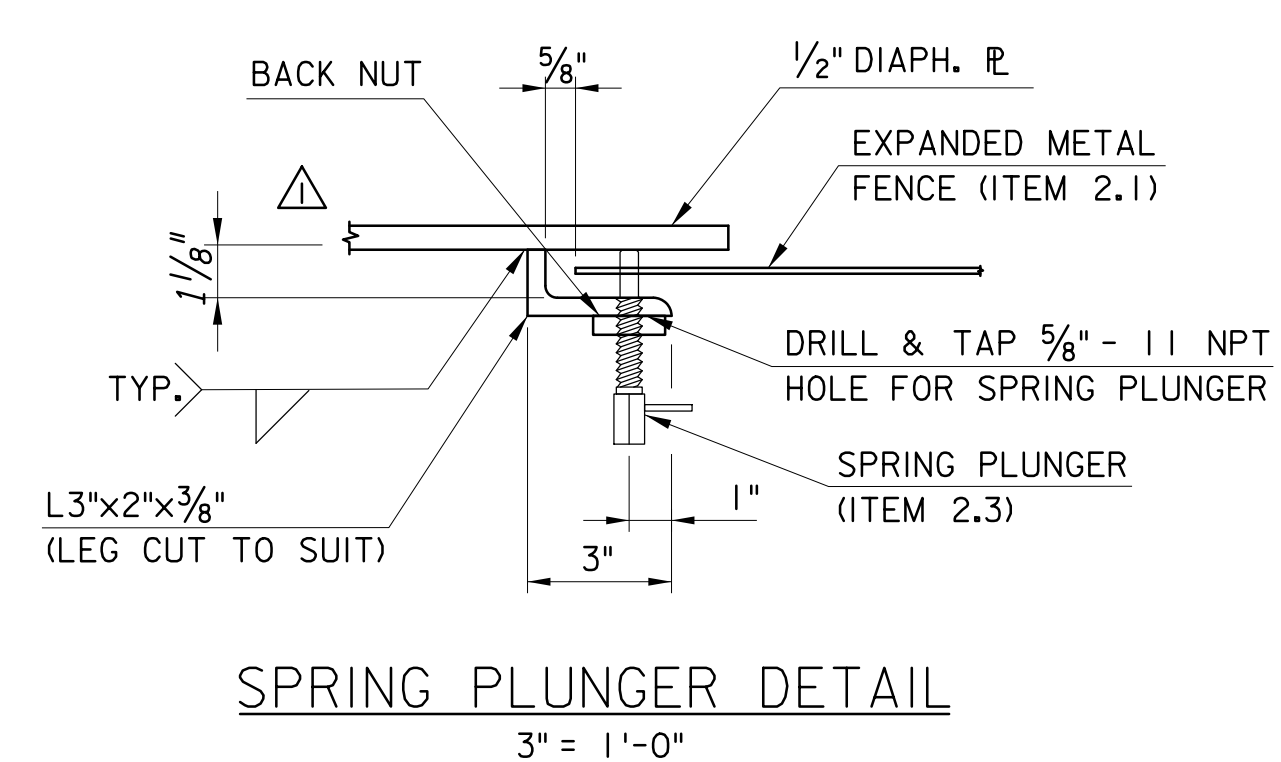
SECTION D-D
(DIAPHRAGM PLATE NOT SHOWN FOR CLARITY)
3" = 1'-0"



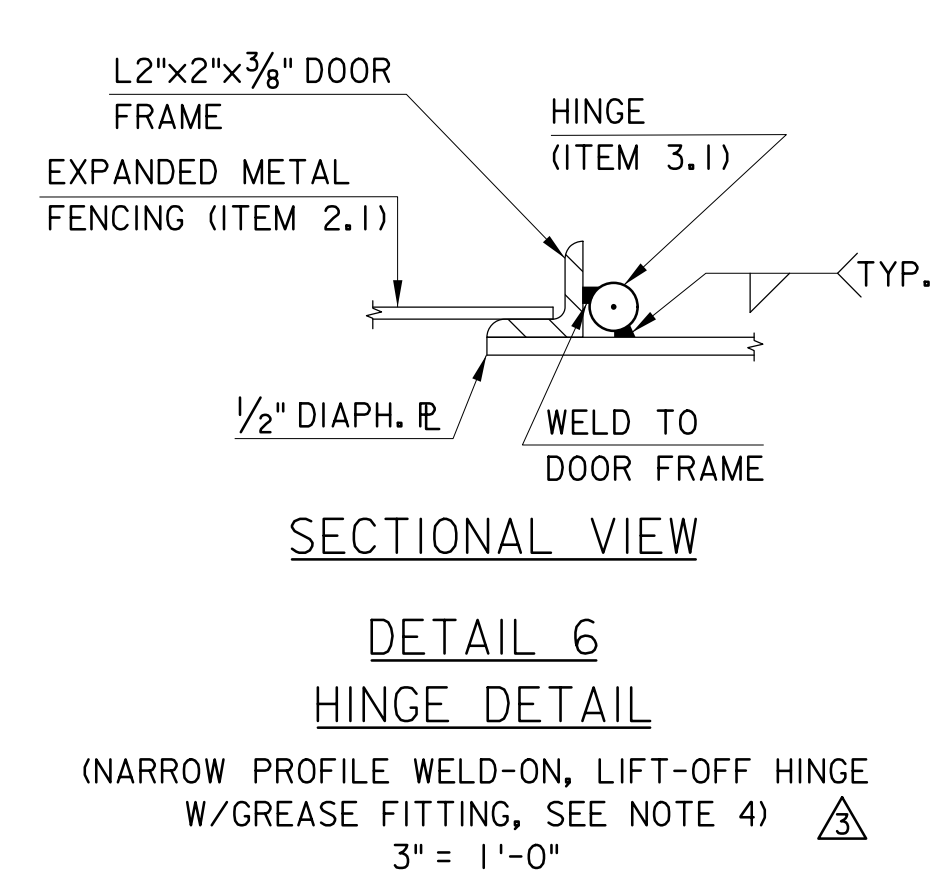
END DIAPHRAGM WITH ESCAPE HATCH DETAIL
3/4" = 1'-0"



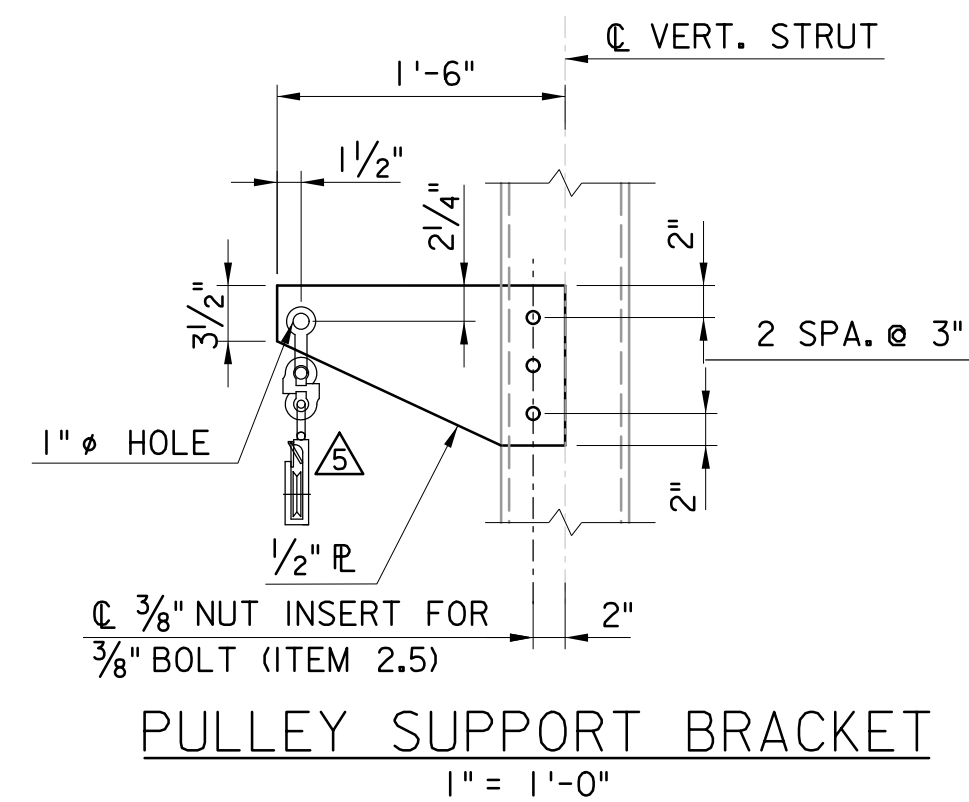
PARTIAL ELEVATION
3" = 1'-0"



SPRING PLUNGER DETAIL
3" = 1'-0"

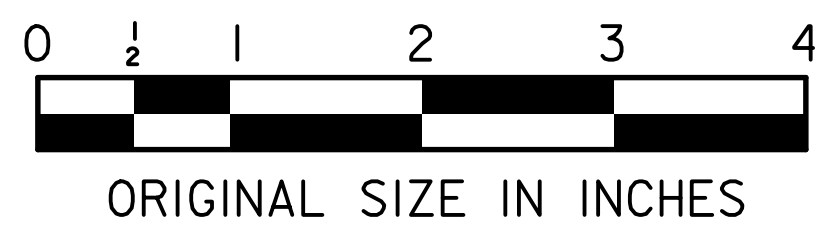


SECTIONAL VIEW
DETAIL 6
HINGE DETAIL
(NARROW PROFILE WELD-ON, LIFT-OFF HINGE
W/GREASE FITTING, SEE NOTE 4)
3" = 1'-0"



PULLEY SUPPORT BRACKET
1" = 1'-0"

- NOTES:
- EXPANDED METAL FENCING SHALL BE RIGIDLY CLAMPED TO THE DOOR FRAME ANGLE PRIOR TO WELDING THE TABS TO ENSURE A VIBRATION FREE OPERATION. SPOT REPAIR ALL DAMAGED GALVANIZING ON FENCING AND HINGES AFTER FABRICATION IN ACCORDANCE WITH ASTM A-780.
 - FOR ITEM LISTS, SEE SHEET VM-10.
 - FOR DOOR AND DIAPHRAGM LOCATIONS, SEE SHEET VM-1.
 - HINGES SHALL BE LUBRICATED WITH AN APPROVED GREASE PRIOR TO INSTALLATION.



APP.	NO.	DATE	REVISION
	5	10/23	ADDED CONNECTING LINK TO PULLEY BLOCK
	4	4/16	SHEET TEXT FORMAT REVISIONS
	3	3/14	ADDED NOTE
	2	3/11	ADDED DRAIN HOLES TO ESCAPE HATCH AND REVISED DETAIL
	1	3/10	ADDED SAFETY EDGING AND REVISED DETAILS
	0	8/08	ORIGINAL DRAWING

CONTRACT NO.

NEW JERSEY TURNPIKE AUTHORITY
NEW JERSEY TURNPIKE

OVERHEAD SPAN VMS/VSLs SUPPORT STRUCTURES
DOOR DETAILS

OFFICE OF THE CHIEF ENGINEER NEW JERSEY TURNPIKE AUTHORITY	2008 STANDARD DRAWING VM-4
WOODBRIDGE	NEW JERSEY

SHEET NO. OF