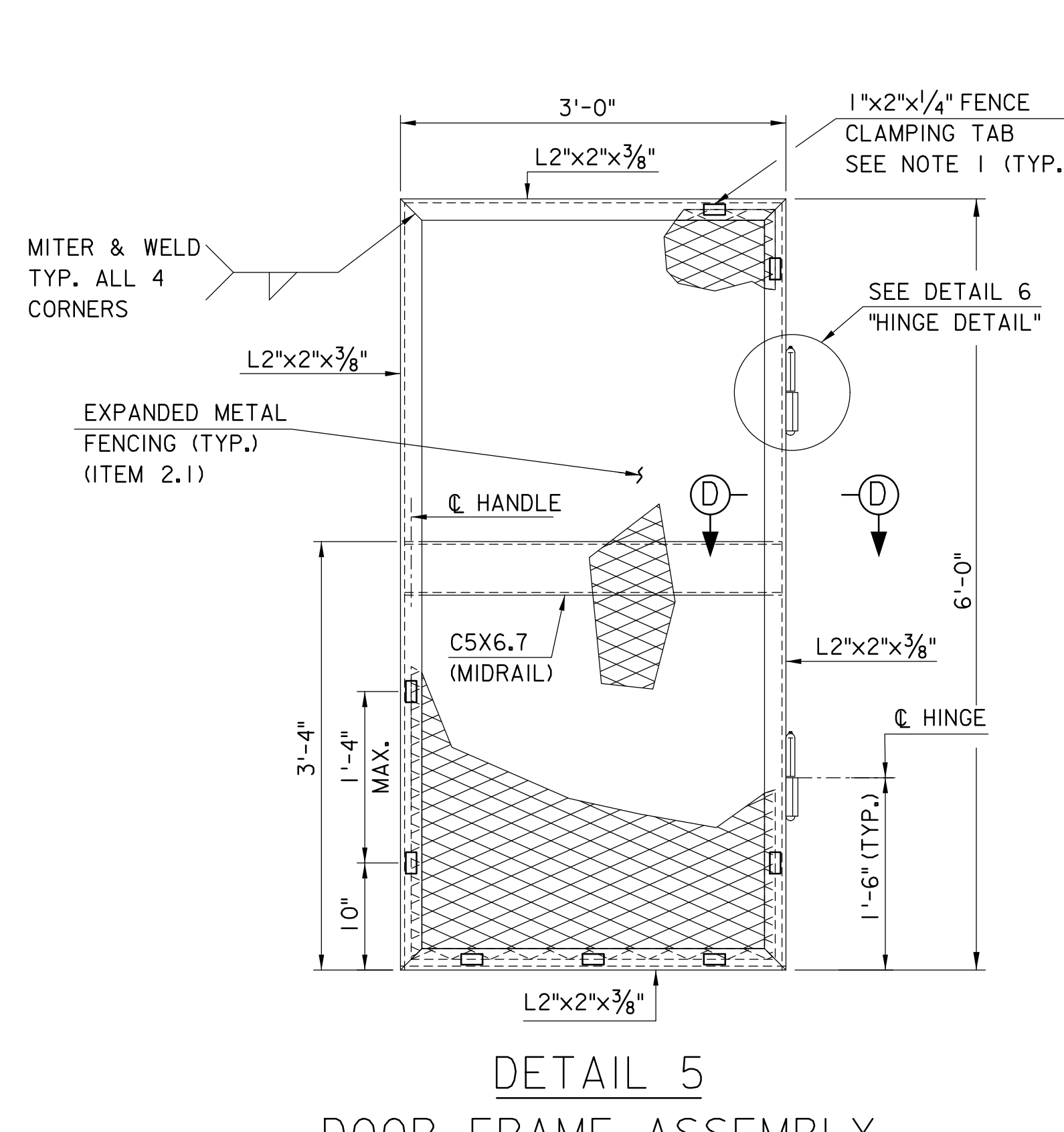
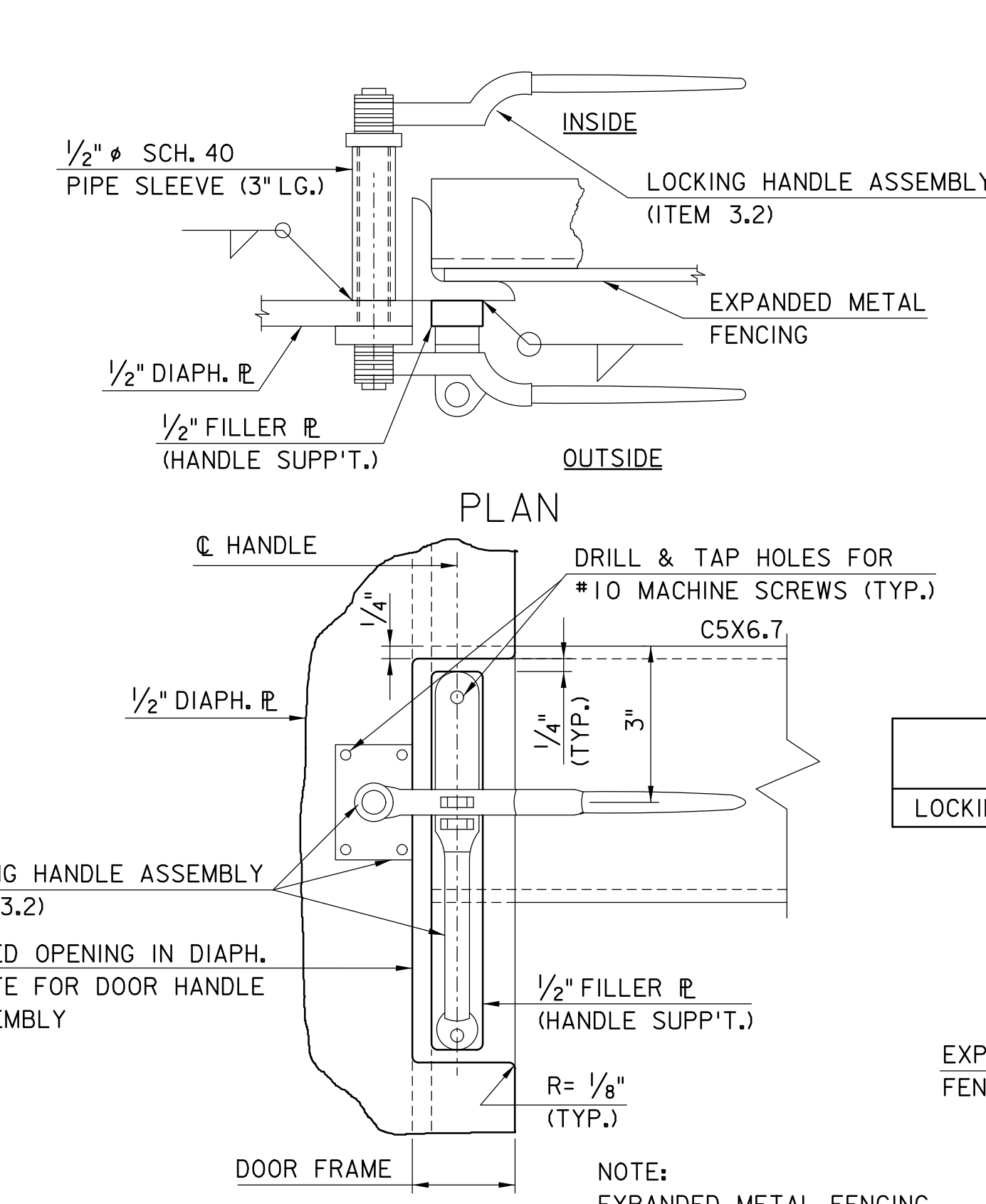


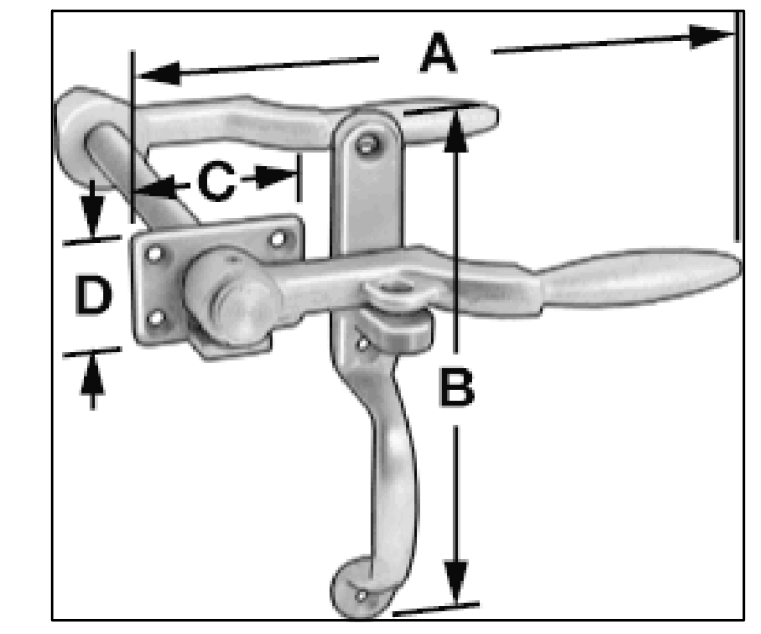
END DIAPHRAGM WITH ACCESS DOOR DETAIL
3/4" = 1'-0"



DETAIL 5
DOOR FRAME ASSEMBLY
1" = 1'-0"

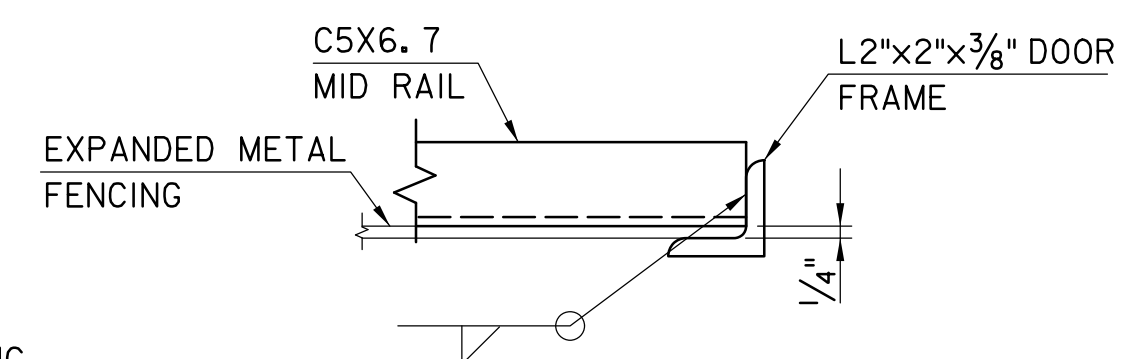


ELEVATION
DETAIL 7
LOCKING DOOR HANDLE
N.T.S.

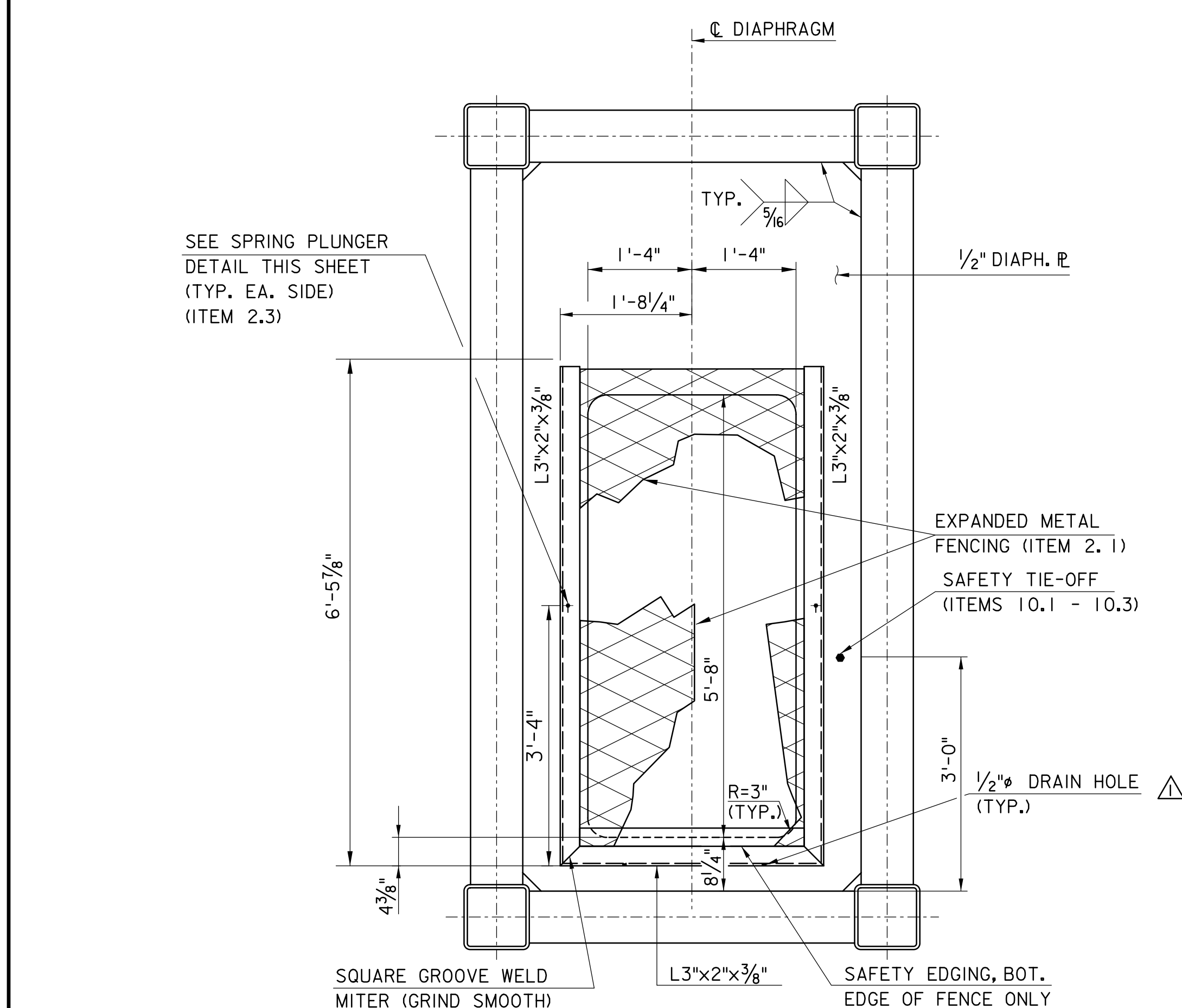


LOCKING HANDLE
(ITEM NO. 3.2)

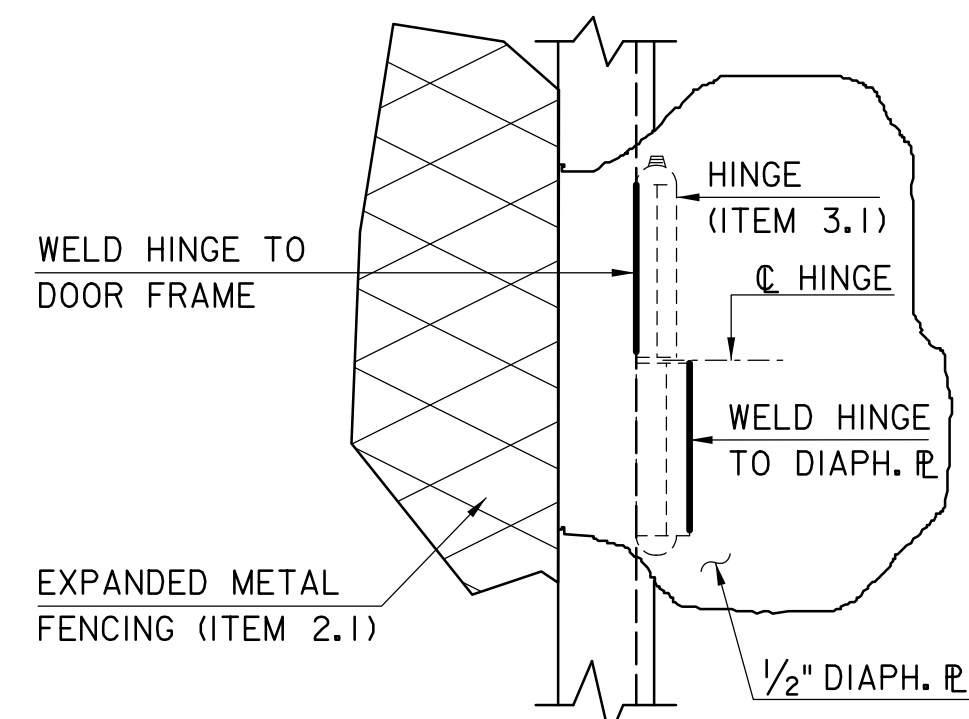
ITEM 3.2	DIMENSIONS			
	A	B	C	D
LOCKING HANDLE	7 1/4"	7 3/8"	1 1/2"	2 1/4"



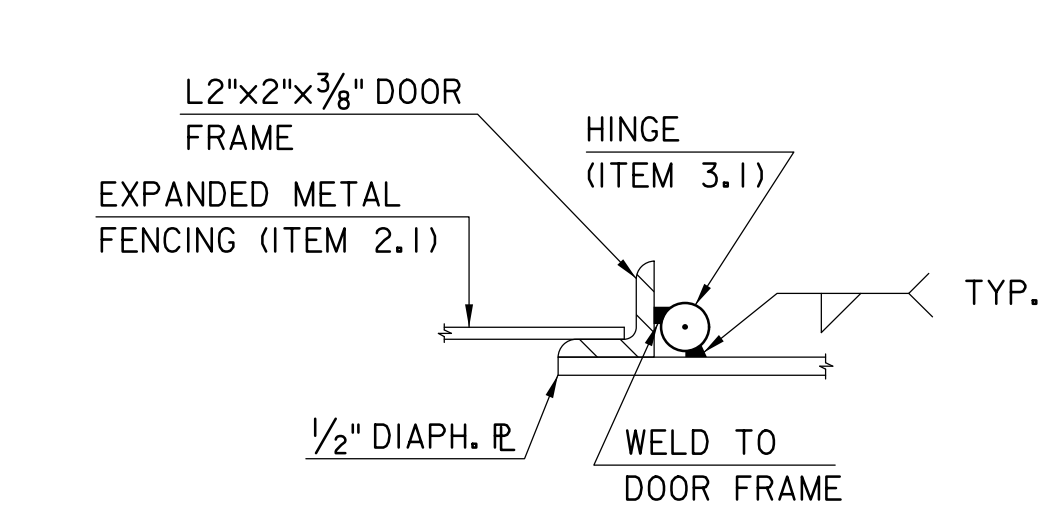
SECTION D-D
(DIAPHRAGM PLATE NOT SHOWN FOR CLARITY)
3" = 1'-0"



END DIAPHRAGM WITH ESCAPE HATCH DETAIL
3/4" = 1'-0"

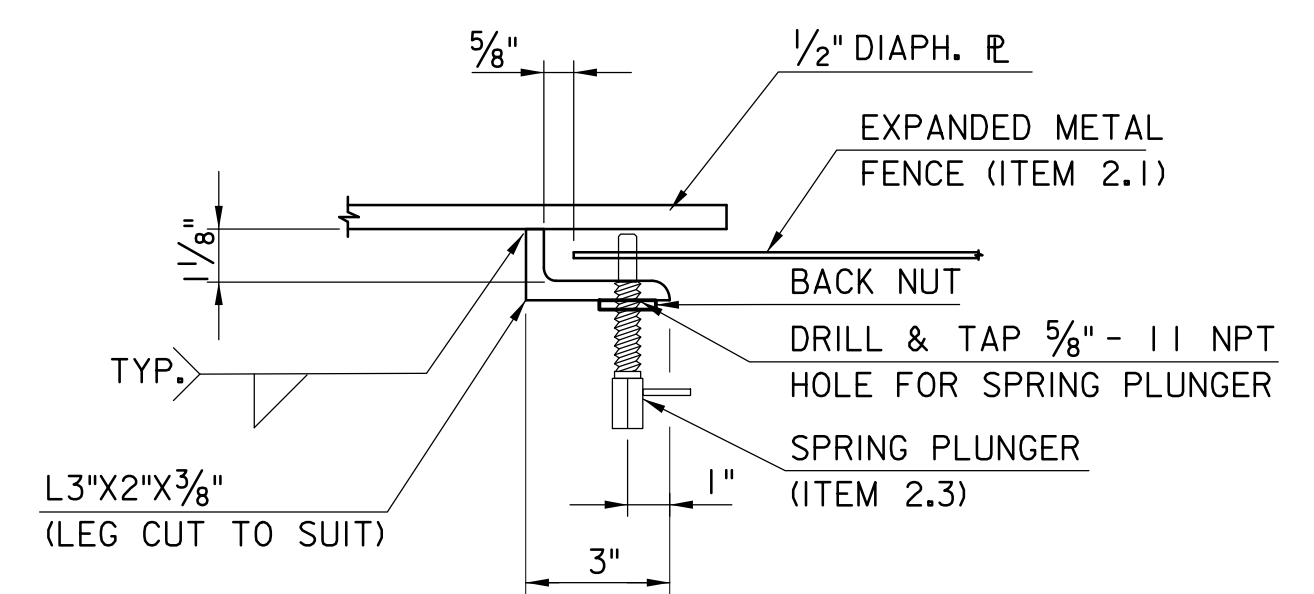


PARTIAL ELEVATION

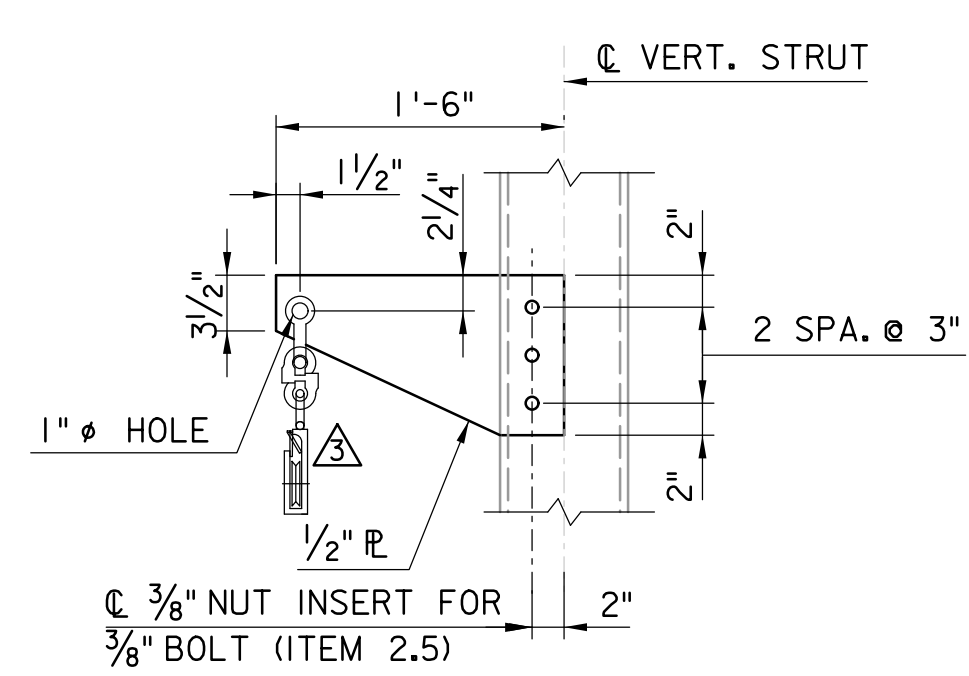


SECTIONAL VIEW

DETAIL 6
HINGE DETAIL
(NARROW PROFILE WELD-ON, LIFT-OFF HINGE W/GREASE FITTING, SEE NOTE 4)
3" = 1'-0"

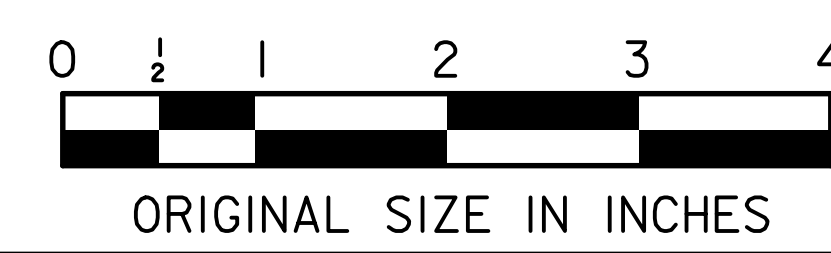


SPRING PLUNGER DETAIL
3" = 1'-0"



PULLEY SUPPORT BRACKET
1" = 1'-0"

- NOTES:
- EXPANDED METAL FENCING SHALL BE RIGIDLY CLAMPED TO THE DOOR FRAME ANGLE PRIOR TO WELDING THE TABS TO ENSURE A VIBRATION FREE OPERATION. SPOT REPAIR ALL DAMAGED GALVANIZING ON FENCING AND HINGES AFTER FABRICATION IN ACCORDANCE WITH ASTM A-780.
 - FOR ITEMS LIST, SEE SHEET CM-10.
 - FOR DOOR AND DIAPHRAGM LOCATIONS, SEE SHEET CM-2 AND CM-3.
 - LUBRICATE HINGES WITH AN APPROVED GREASE PRIOR TO INSTALLING.



APP.	NO.	DATE	REVISION
3	10/23		ADDED CONNECTING LINK TO PULLEY BLOCK
2	3/14		ADDED NOTE
1	4/11		ADDED DRAIN HOLES TO ESCAPE HATCH AND REVISED DETAIL
0	1/10		ORIGINAL DRAWING

NEW JERSEY TURNPIKE AUTHORITY
NEW JERSEY TURNPIKE

OVERHEAD SPAN HCMS SUPPORT STRUCTURES
DOOR DETAILS

OFFICE OF THE CHIEF ENGINEER
NEW JERSEY TURNPIKE AUTHORITY

WOODBRIDGE NEW JERSEY

2010 STANDARD
DRAWING **CM-6**