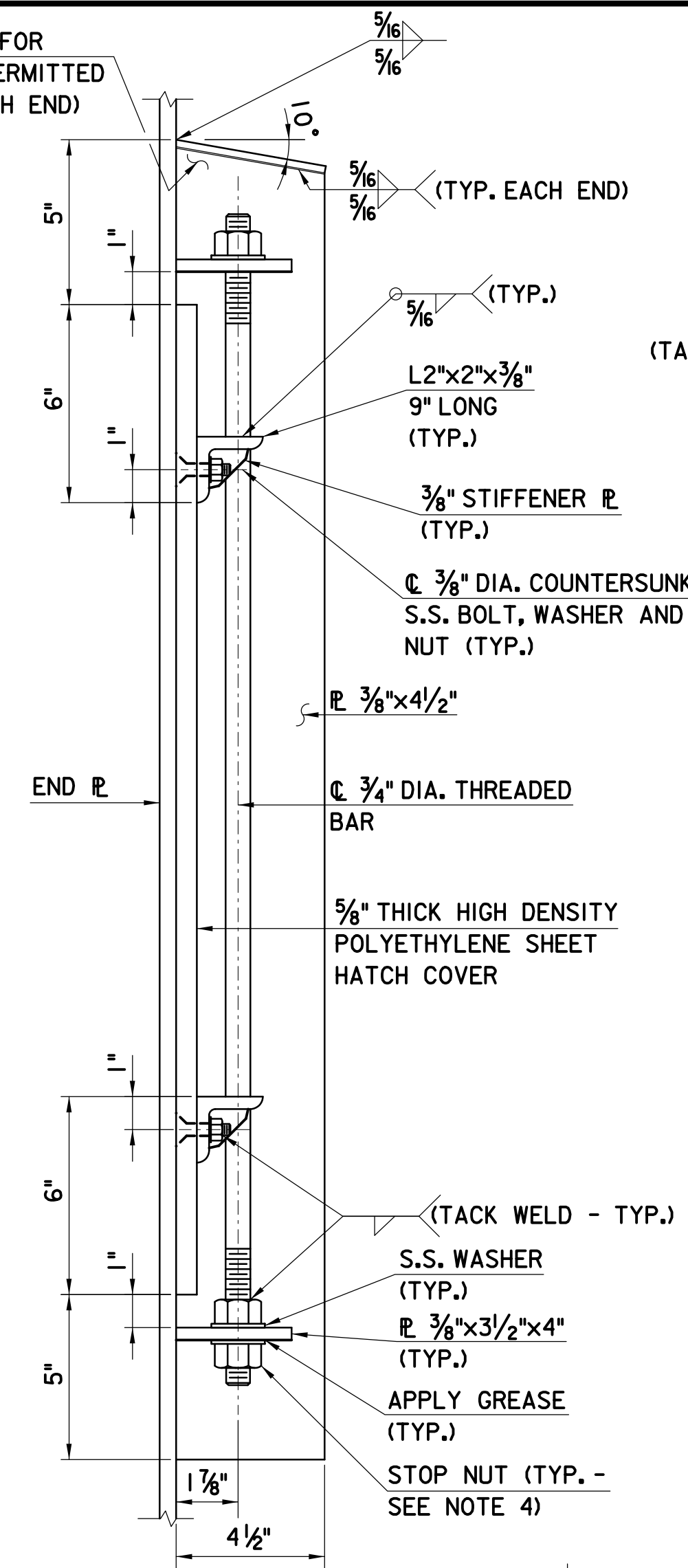


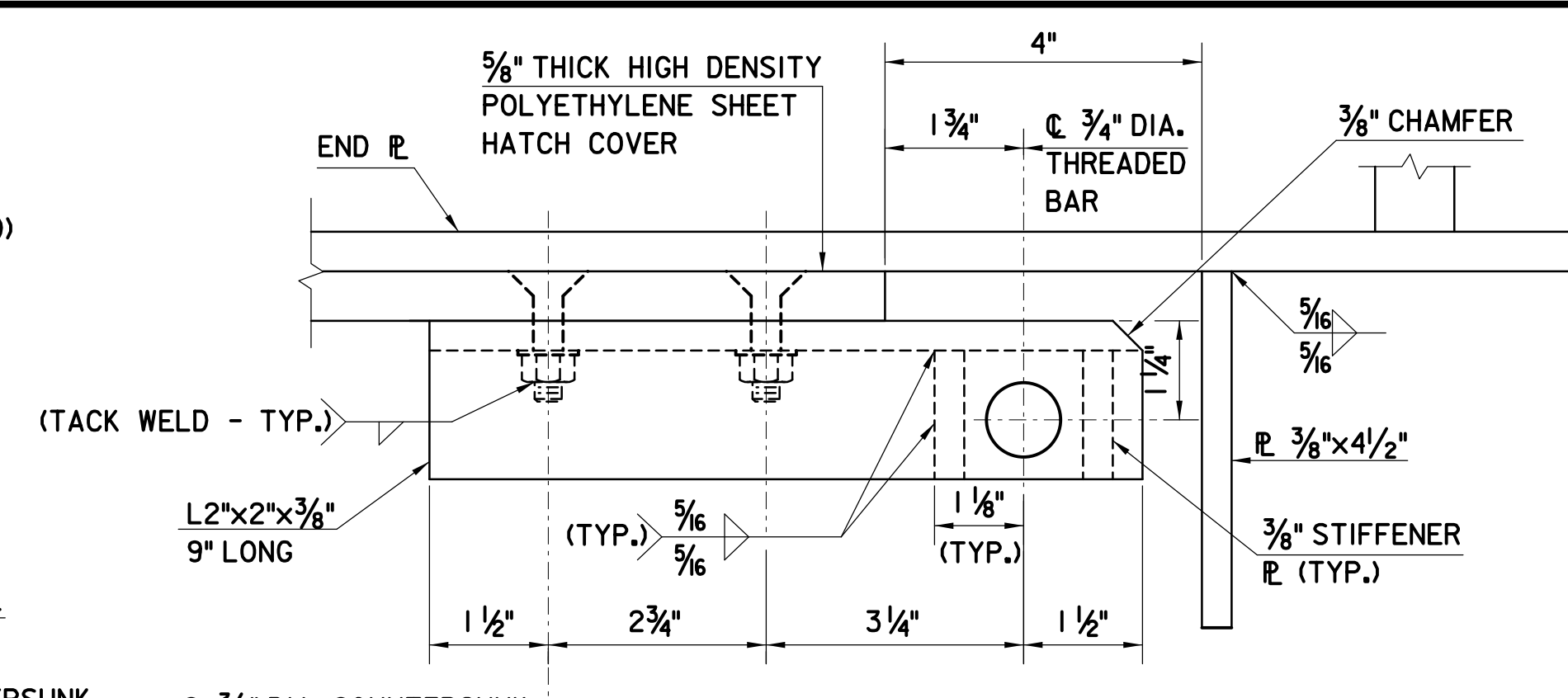
**HATCH COVER DETAILS - ELEVATION**  
 (SEE NOTES 1 AND 2)  
 SCALE: 1/2" = 1'-0"

**NOTES:**

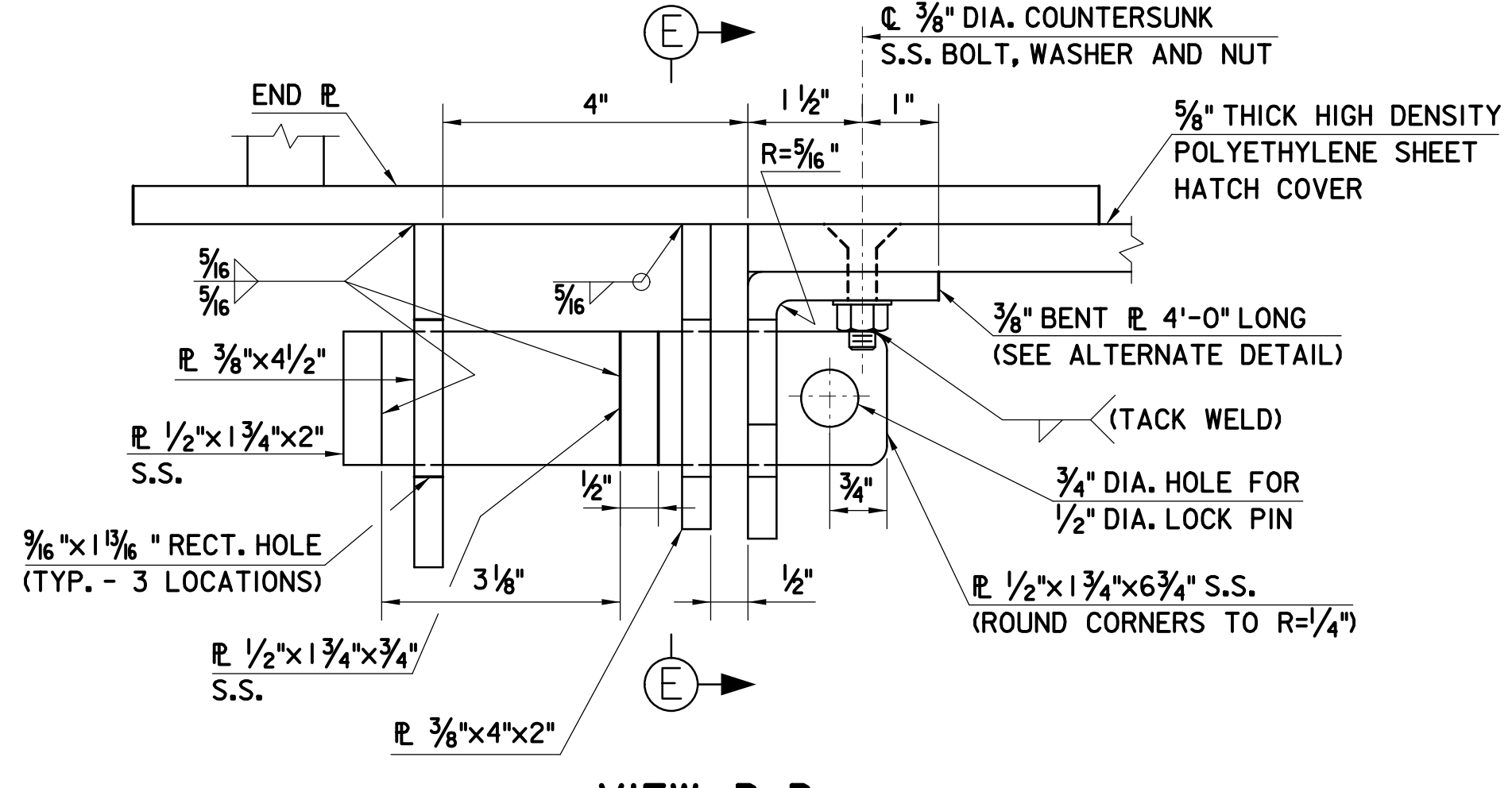
1. THE ACCESS HOLE AND HATCH COVER SIZES SHOWN ARE PREFERABLE. FOR NEW BOX GIRDERS TO BE CONSTRUCTED, THE SIZES MAY BE ADJUSTED AS NECESSARY FOR DESIGN. FOR EXISTING BOX GIRDERS TO BE RETROFITTED, THE HATCH COVER SIZE SHALL BE ADJUSTED AS NECESSARY FOR THE SIZE OF THE EXISTING ACCESS HOLE. ALL ACCESS HOLE AND HATCH COVER SIZES SHALL BE CLEARLY STATED ON THE CONTRACT PLANS AND THE CONTRACTOR SHALL ADJUST THE DETAILS SHOWN AS NECESSARY ON THE SHOP DRAWINGS.
2. FOR NEW BOX GIRDERS TO BE CONSTRUCTED, ACCESS HOLES AND HATCH COVERS SHALL BE PROVIDED AT BOTH ENDS WITH ACCESS AVAILABLE PREFERABLY FROM OUTSIDE THE TRAVEL LANES OF THE ROADWAY. ADDITIONALLY, ACCESS HOLES FOR END PLATES AND INTERNAL DIAPHRAGMS SHALL PREFERABLY BE THE SAME SIZE.
3. LOCK SHALL BE PROVIDED TO THE CONTRACTOR BY THE AUTHORITY.
4. STOP NUTS SHALL BE TIGHTENED AS NECESSARY SUCH THAT THE HATCH COVER IS FUNCTIONAL TO THE SATISFACTION OF AND AS APPROVED BY THE ENGINEER.
5. DRAIN HOLES SHALL BE SITUATED SUCH THAT WATER IS NOT PERMITTED TO DRAIN ONTO BEARINGS OR OTHER STRUCTURAL COMPONENTS.
6. REQUIRED AT BOTH SIDES OF ALL INTERNAL DIAPHRAGMS, STIFFENERS OR OTHER APPURTENANCES ONLY.
7. ALL STRUCTURAL STEEL SHAPES, PLATES AND THREADED BAR SHALL BE AASHTO M270 (ASTM A709), GRADE 50W UNLESS OTHERWISE NOTED. FOR NEW BOX GIRDERS TO BE CONSTRUCTED, PAINTING PER SECTION 411.06 OF THE STANDARD SPECIFICATIONS MAY OR MAY NOT BE REQUIRED DEPENDING ON WHETHER OR NOT THE BOX GIRDER IS LOCATED AT A DECK JOINT. FOR EXISTING BOX GIRDERS TO BE RETROFITTED THAT ARE LOCATED AT A DECK JOINT AND THAT ARE ALREADY PAINTED, PAINTING SHALL BE IN ACCORDANCE WITH SECTION 411.05(F) OF THE STANDARD SPECIFICATIONS. FOR NEW AND EXISTING BOX GIRDERS, ALL STAINLESS STEEL SHALL NOT BE PAINTED AND SHALL HAVE A SMOOTH FINISH.
8. ALL STOP NUTS SHALL BE ASTM A563, GRADE C3 PAINTED OR NOT PAINTED IN ACCORDANCE WITH NOTE 7.
9. ALL BOLT HOLES IN STRUCTURAL STEEL SHALL BE 1/16" LARGER IN DIAMETER THAN THE NOMINAL DIAMETER OF THE FASTENER UNLESS OTHERWISE NOTED.
10. SHOP WELDS ARE PREFERABLE, BUT FIELD WELDS MAY BE INCORPORATED DEPENDING UPON THE TYPE OF CONSTRUCTION (RETROFIT VERSUS NEW) AND THE CONTRACTOR'S MEANS AND METHODS. THE CONTRACTOR SHALL CLEARLY STATE ALL WELD TYPES ON THE SHOP DRAWINGS.
11. HIGH DENSITY POLYETHYLENE (HDPE) SHEET HATCH COVER SHALL BE BLACK IN COLOR AS MANUFACTURED BY THE FOLLOWING VENDOR OR AN APPROVED EQUAL AND SHALL NOT BE PAINTED: EMCO INDUSTRIAL PRODUCTS, INC., 99 COMMERCE ROAD, CEDAR GROVE, NJ 07009, (973) 808-0202. CONTRACTOR SHALL SUBMIT HDPE HATCH COVER PRODUCT LITERATURE AND A COLORED MATERIAL SAMPLE WITH THE SHOP DRAWINGS.
12. DRAIN HOLE COVER SHALL BE 16 GAGE PERFORATED SHEET STAINLESS STEEL TYPE 316L WITH 1/8" DIAMETER OPENINGS ON 3/8" CENTERS. CONTRACTOR SHALL SUBMIT PRODUCT LITERATURE WITH THE SHOP DRAWINGS.



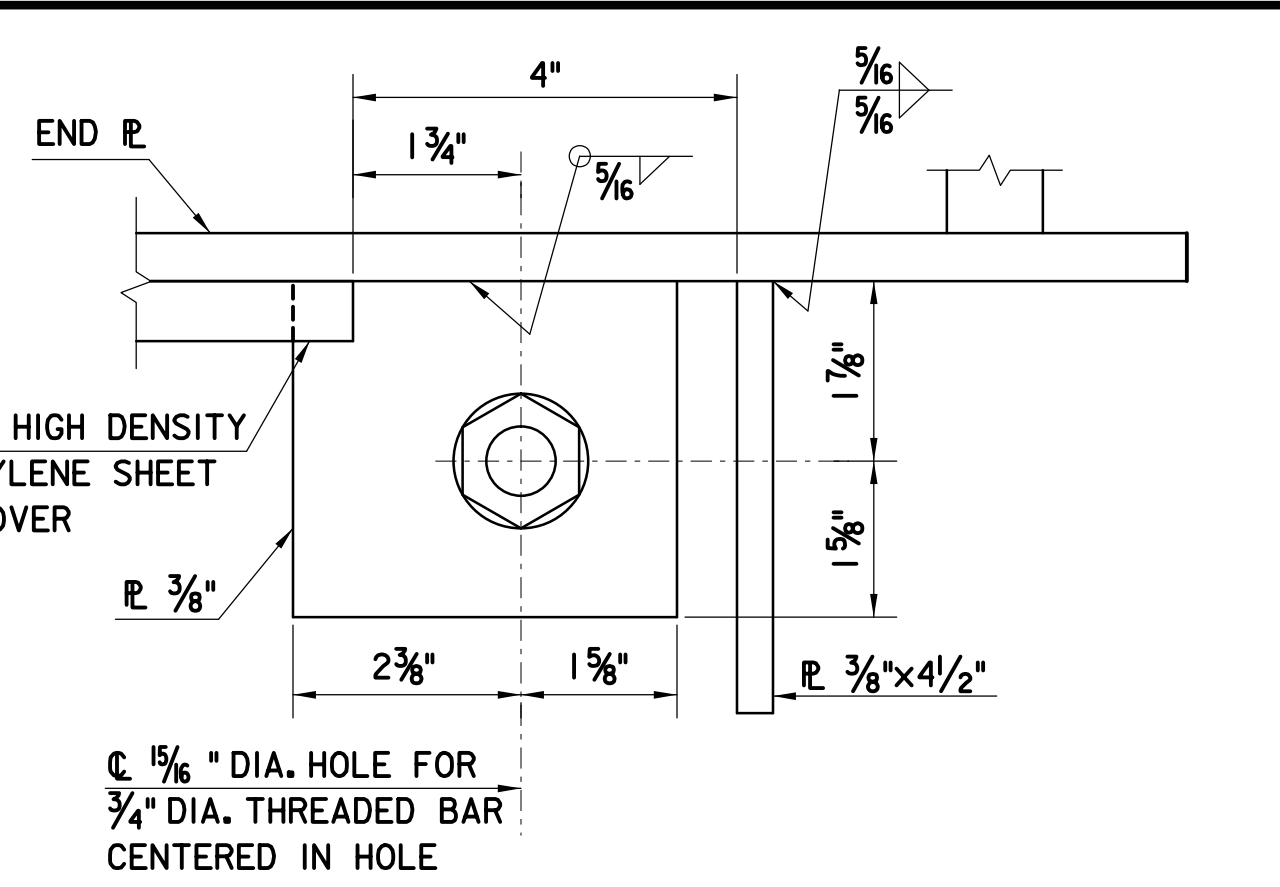
**VIEW A-A**  
 SCALE: 3" = 1'-0"



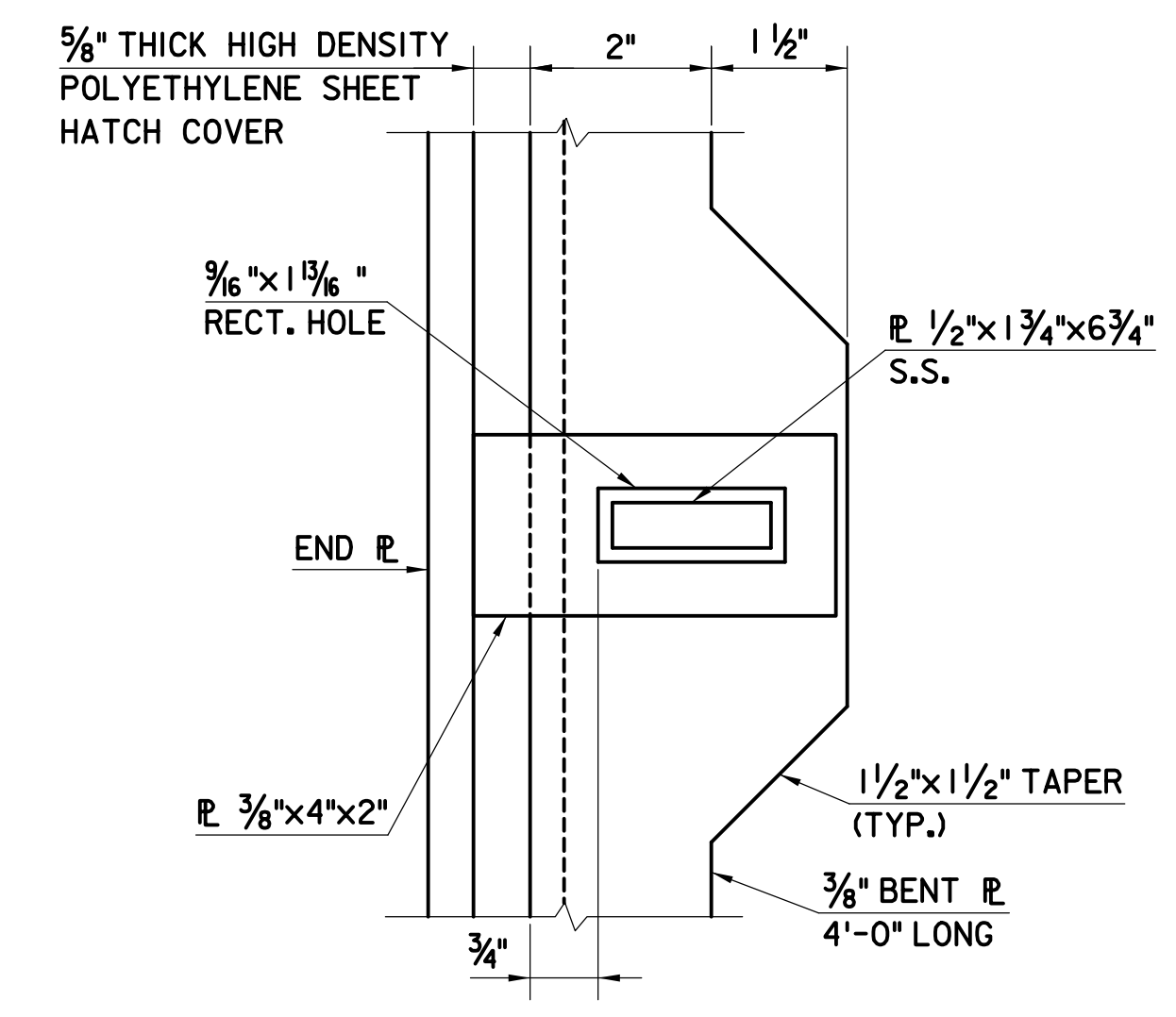
**VIEW B-B**  
 SCALE: 6" = 1'-0"



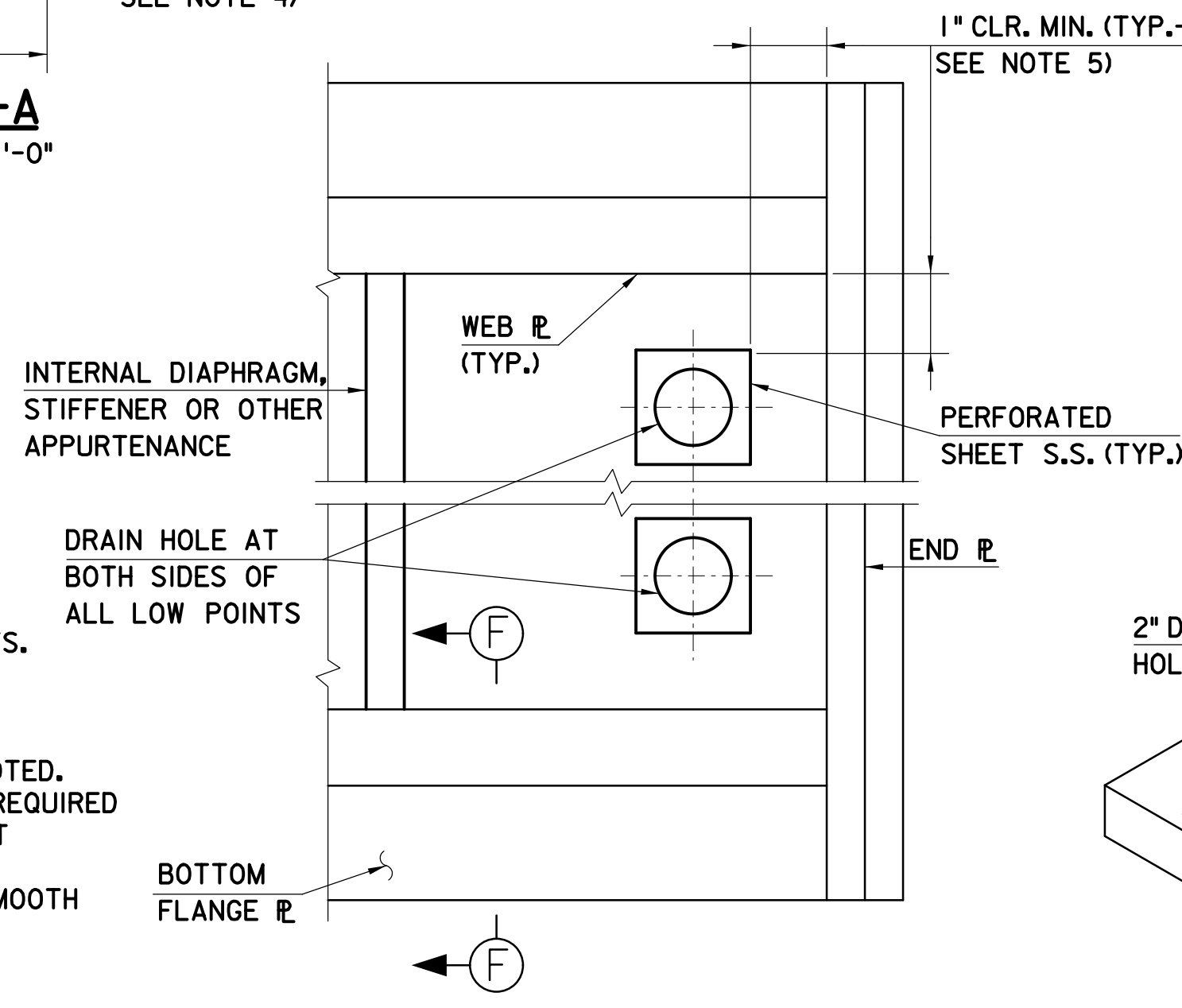
**VIEW D-D**  
 SCALE: 6" = 1'-0"



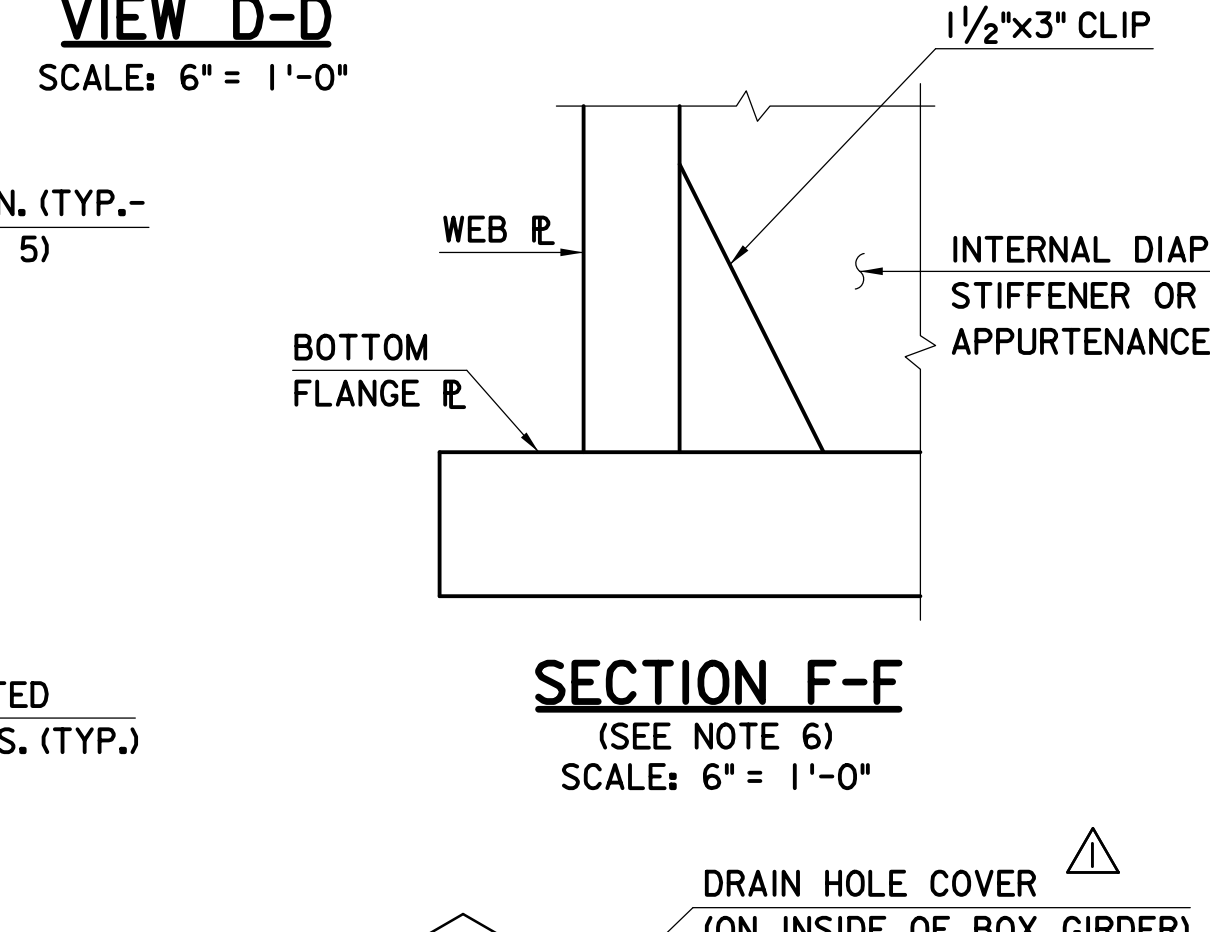
**VIEW C-C**  
 SCALE: 6" = 1'-0"



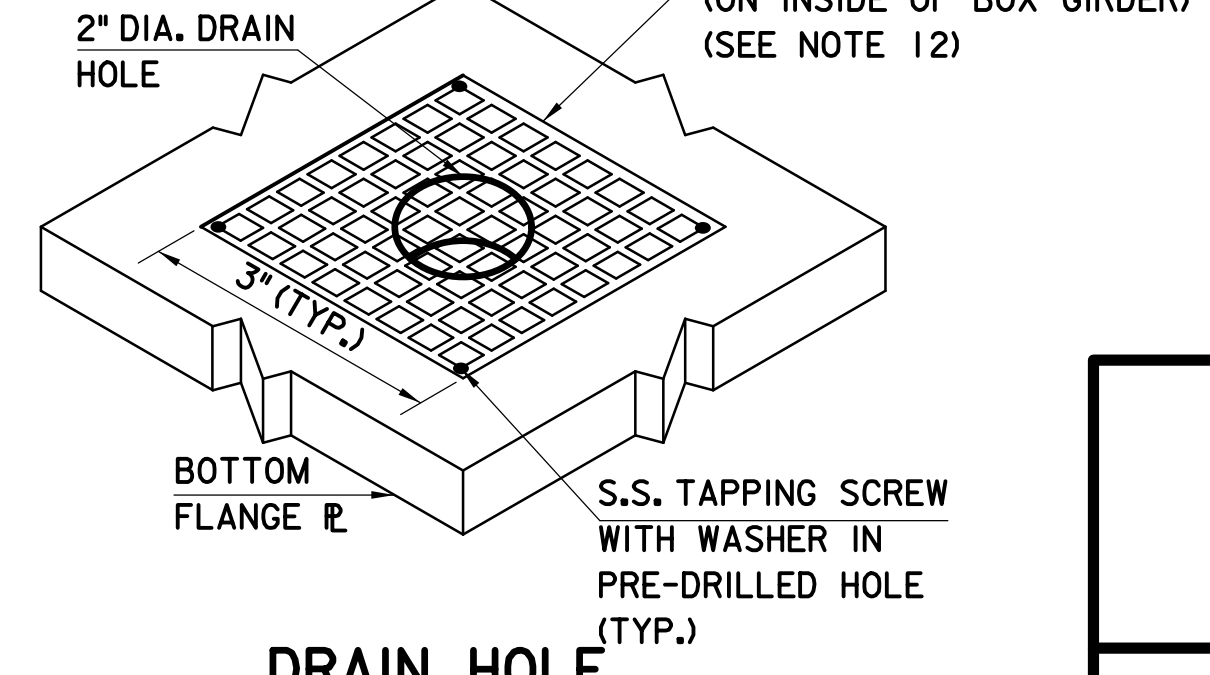
**SECTION E-E**  
 SCALE: 6" = 1'-0"



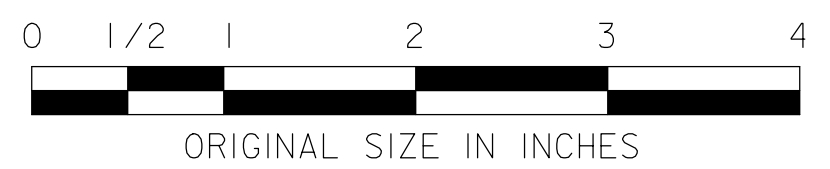
**DRAINAGE DETAILS - PLAN**  
 SCALE: 6" = 1'-0"



**SECTION F-F**  
 (SEE NOTE 6)  
 SCALE: 6" = 1'-0"



**DRAIN HOLE ISOMETRIC VIEW**  
 (SEE NOTE 12) NOT TO SCALE



ORIGINAL SIZE IN INCHES

REV.	DESCRIPTION	DATE
2	REVISED: CONFORMS TO 2019 DESIGN MANUAL AND MINOR REVISIONS	10/22
1	REVISED DRAIN HOLE COVER	04/14
0	ORIGINAL DRAWING	01/11

NEW JERSEY TURNPIKE AUTHORITY  
**NEW JERSEY TURNPIKE GARDEN STATE PARKWAY**  
 STANDARD DRAWINGS

**BOX GIRDER HATCH COVER AND DRAINAGE DETAILS**

OFFICE OF THE CHIEF ENGINEER  
 NEW JERSEY TURNPIKE AUTHORITY  
 WOODBRIDGE, NEW JERSEY

STANDARD DRAWING  
**BR-16**