

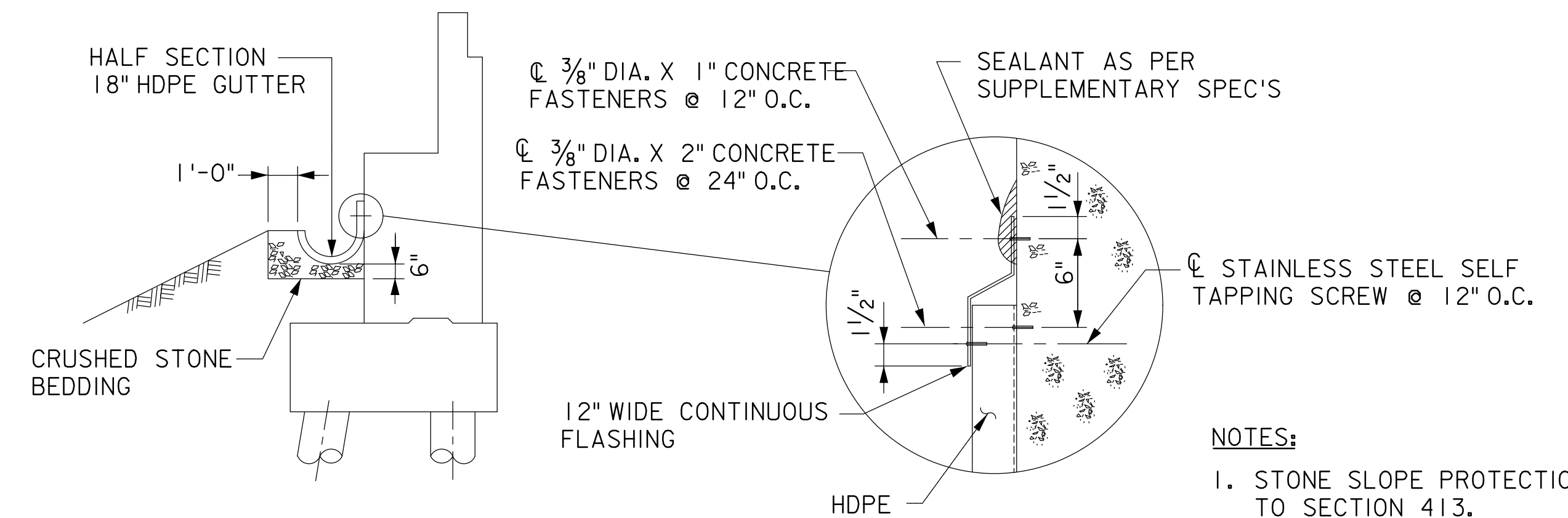
WHEN SKEW OF BRIDGE EXCEEDS 20°, STONE SLOPE PROTECTION AND BERM SURFACING SHALL EXTEND TO THIS LINE

NOTE:

FOR ELEVATIONS OF POINTS "A", "B", "C" AND "D", SEE GENERAL PLAN AND ELEVATION SHEET.

TYPICAL SLOPE PLAN

1/8" = 1'-0"

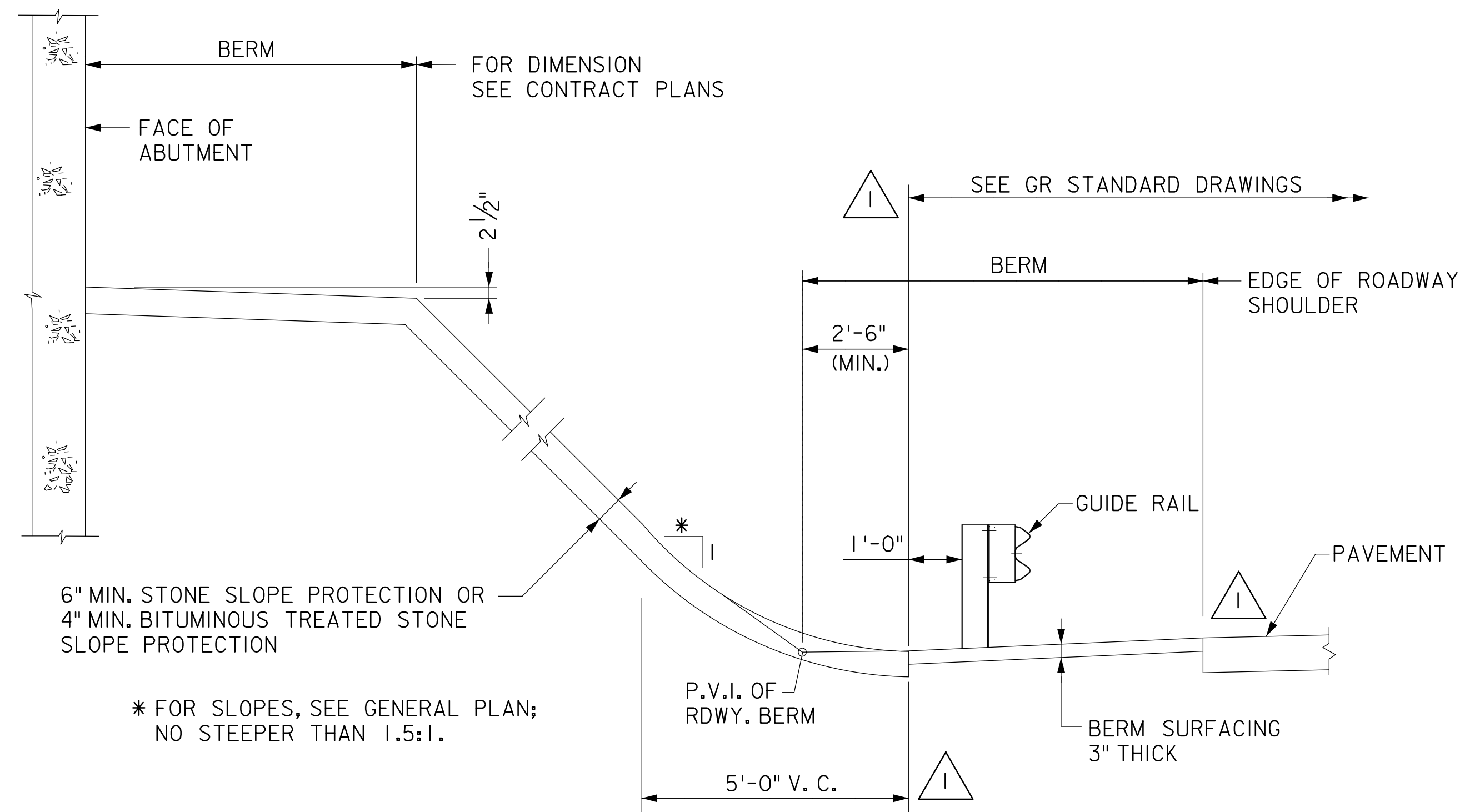


**TYPICAL SECTION
18" HDPE ABUTMENT TROUGH**

1/4" = 1'-0"

NOTES:

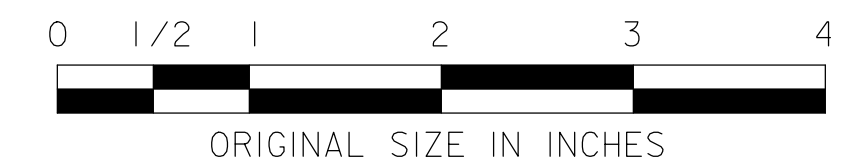
1. STONE SLOPE PROTECTION SHALL CONFORM TO SECTION 413.
2. POWER DRIVEN FASTENERS MAY BE USED. IF POWER DRIVING RESULTS IN CRACKING OF THE ABUTMENT FACE, EXPANSION TYPE FASTENERS WILL BE REQUIRED.
3. UPPER AND LOWER FASTENERS SHALL BE STAGGERED 6" HORIZONTALLY.



6" MIN. STONE SLOPE PROTECTION OR 4" MIN. BITUMINOUS TREATED STONE SLOPE PROTECTION

* FOR SLOPES, SEE GENERAL PLAN; NO STEEPER THAN 1.5:1.

**TYPICAL SECTION
NOT TO SCALE**



NEW JERSEY TURNPIKE AUTHORITY
**NEW JERSEY TURNPIKE
GARDEN STATE PARKWAY**
STANDARD DRAWINGS

STONE SLOPE PROTECTION

REV.	DESCRIPTION	DATE
1	REVISED; CONFORMS TO 2019 DESIGN MANUAL AND MINOR REVISIONS	10/22
0	ORIGINAL DRAWING	04/09

OFFICE OF THE CHIEF ENGINEER
NEW JERSEY TURNPIKE AUTHORITY
WOODBRIIDGE, NEW JERSEY

STANDARD DRAWING

BR-8