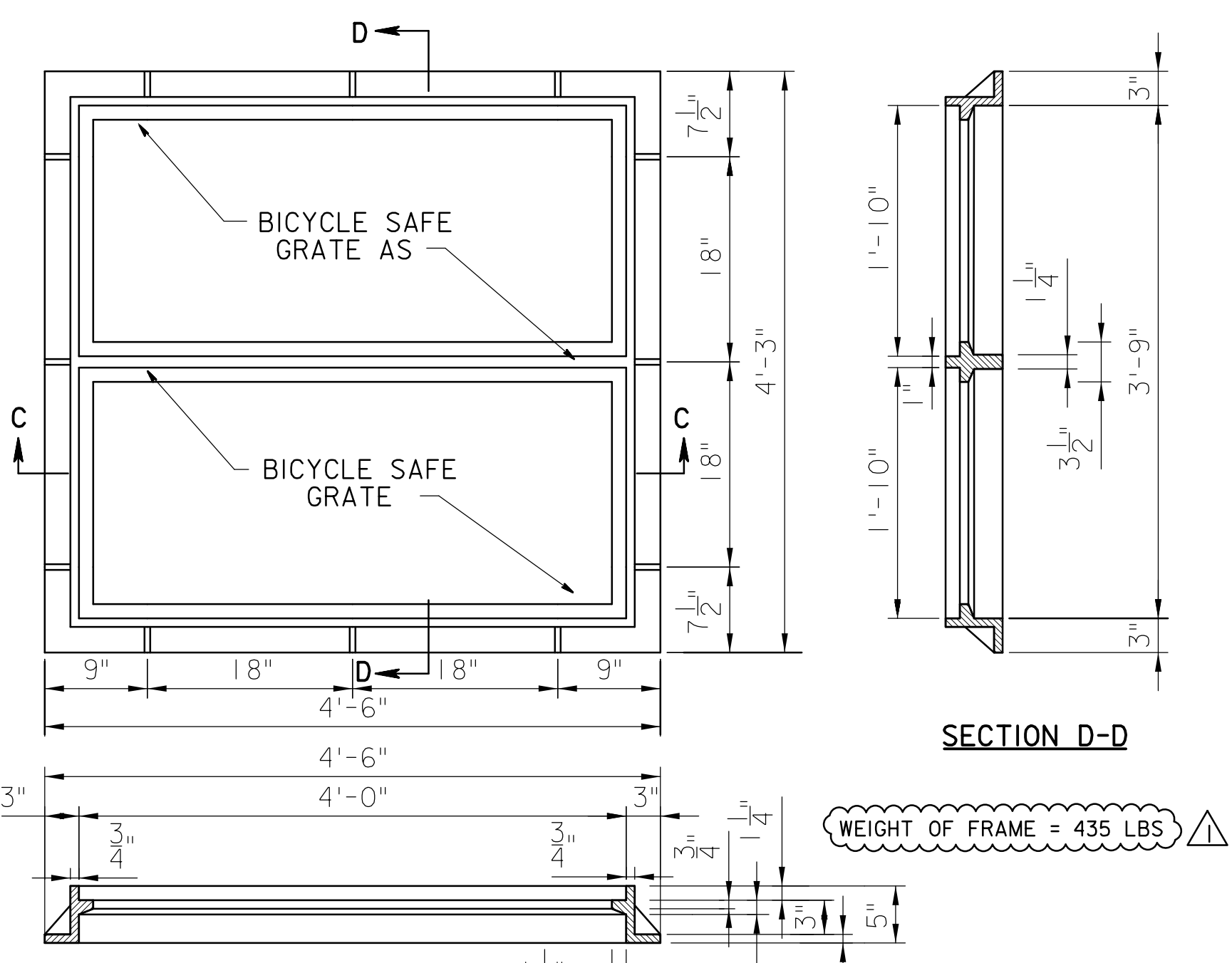


FRAME FOR INLETS, TYPE G1
(FOR USE WITH DROP INLET D1)

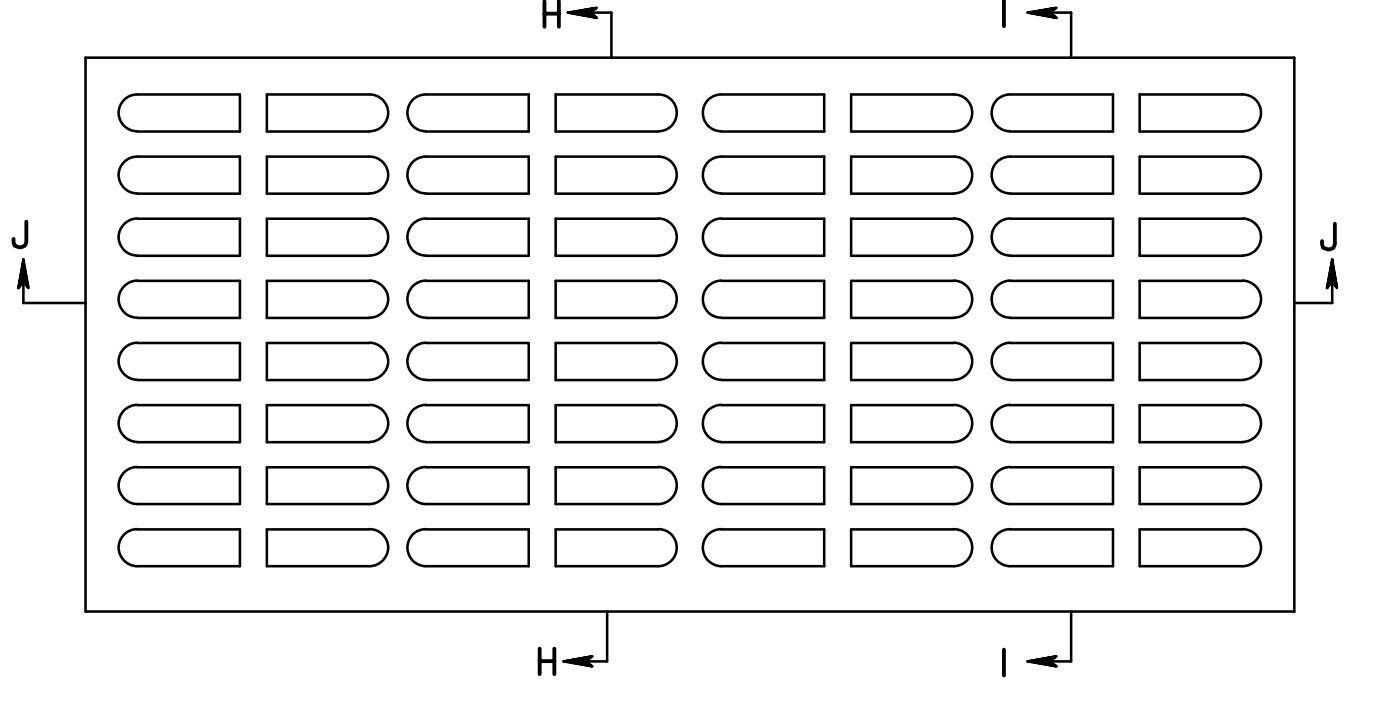
WEIGHT OF FRAME = 240 LBS



SECTION C-C

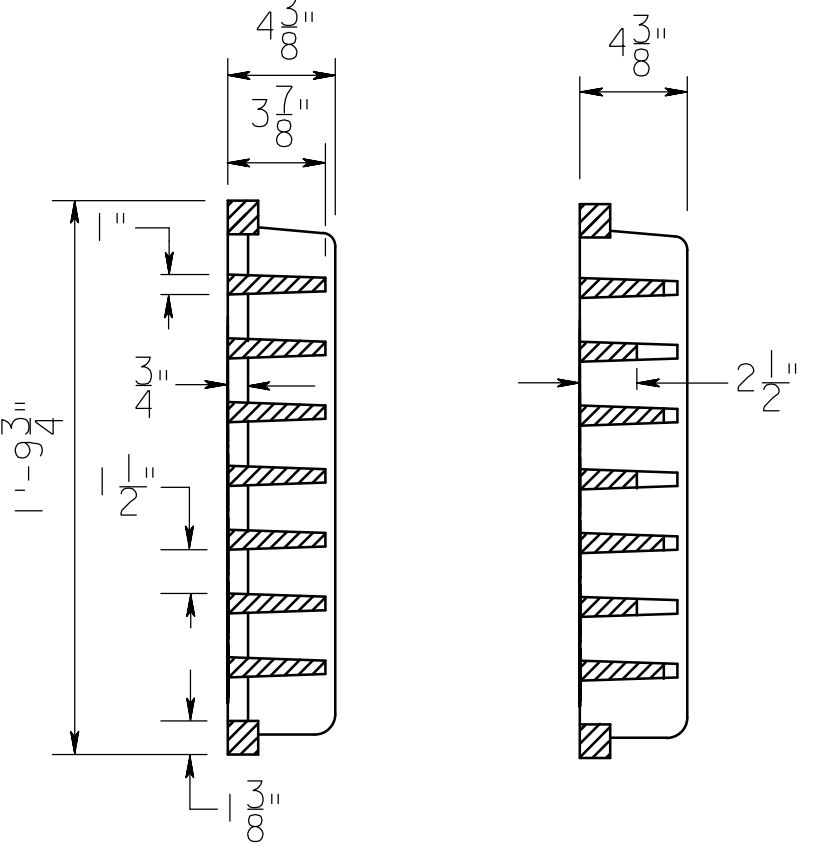
FRAME FOR INLETS, TYPE G-2
(FOR USE WITH DROP INLET D2)

WEIGHT OF FRAME = 435 LBS



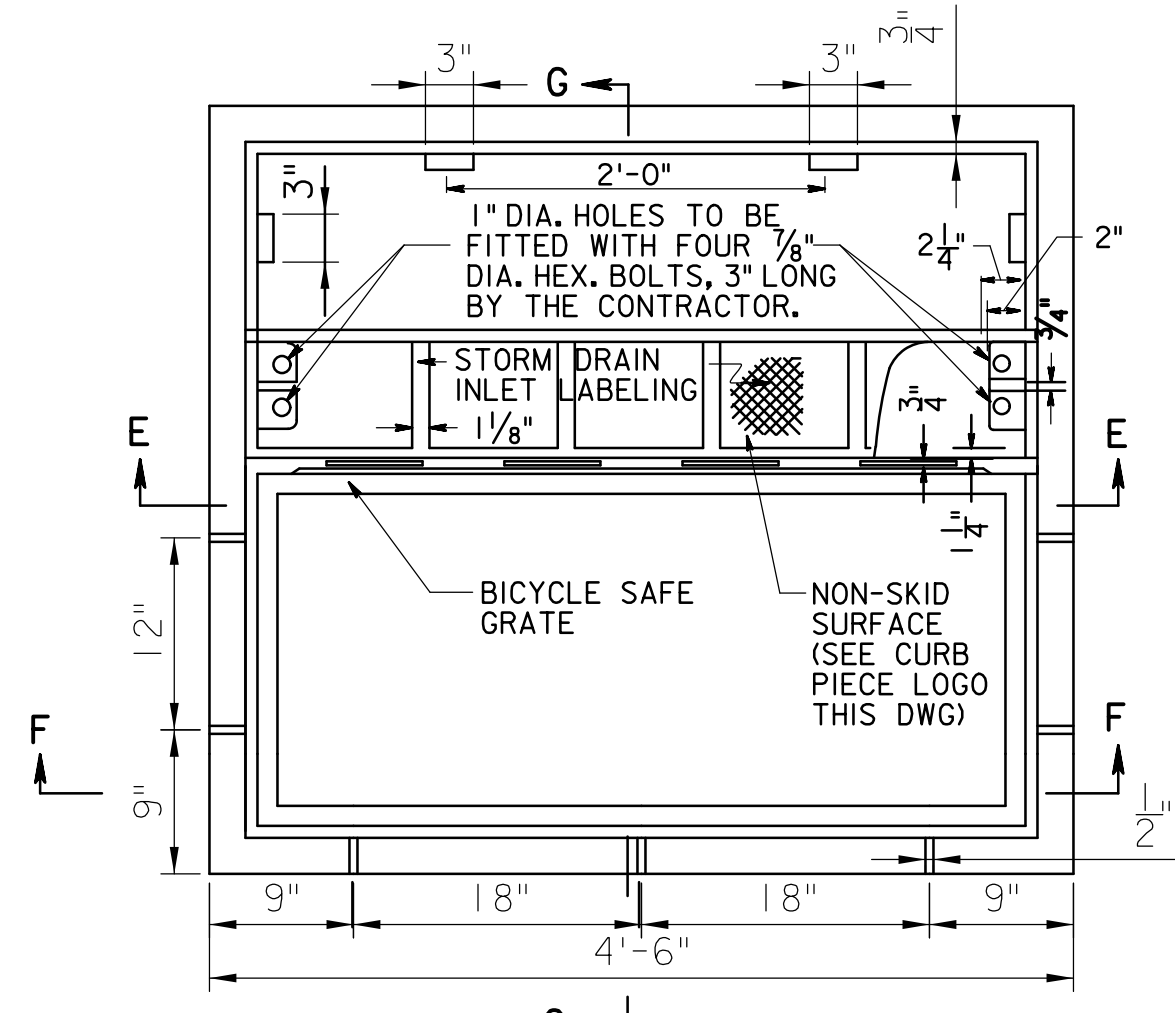
WEIGHT 300 ± 15 LBS

SECTION J-J

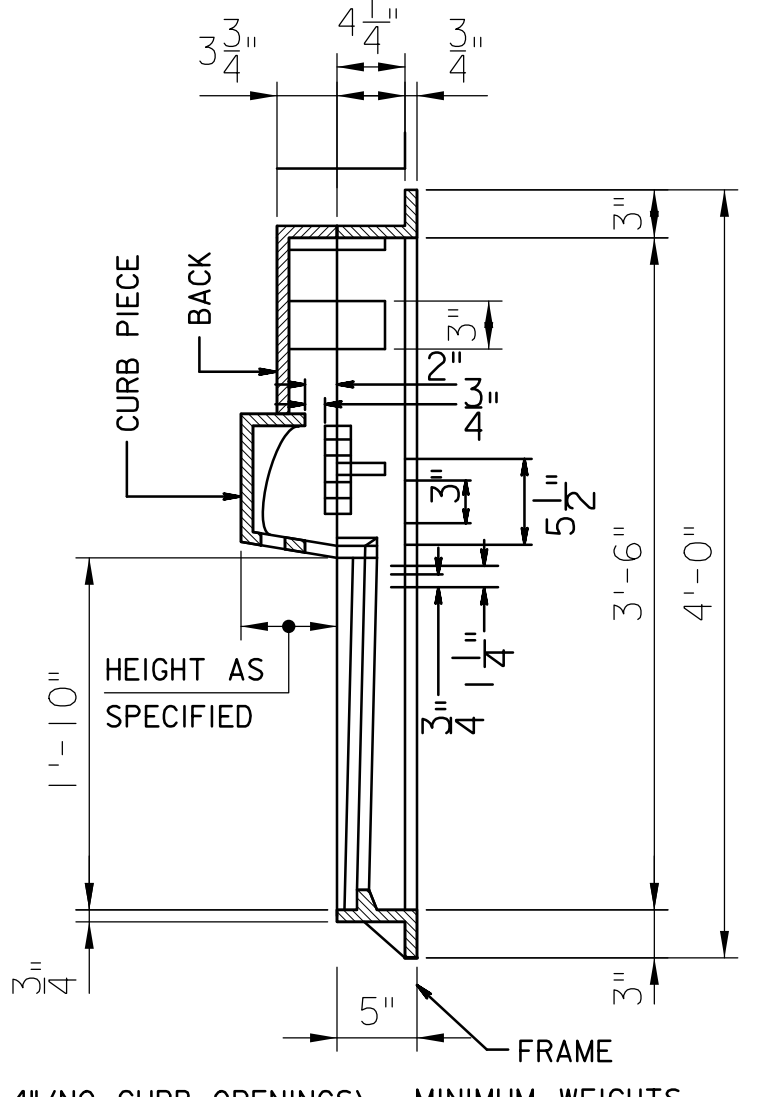


SECTION H-H

SECTION I-I

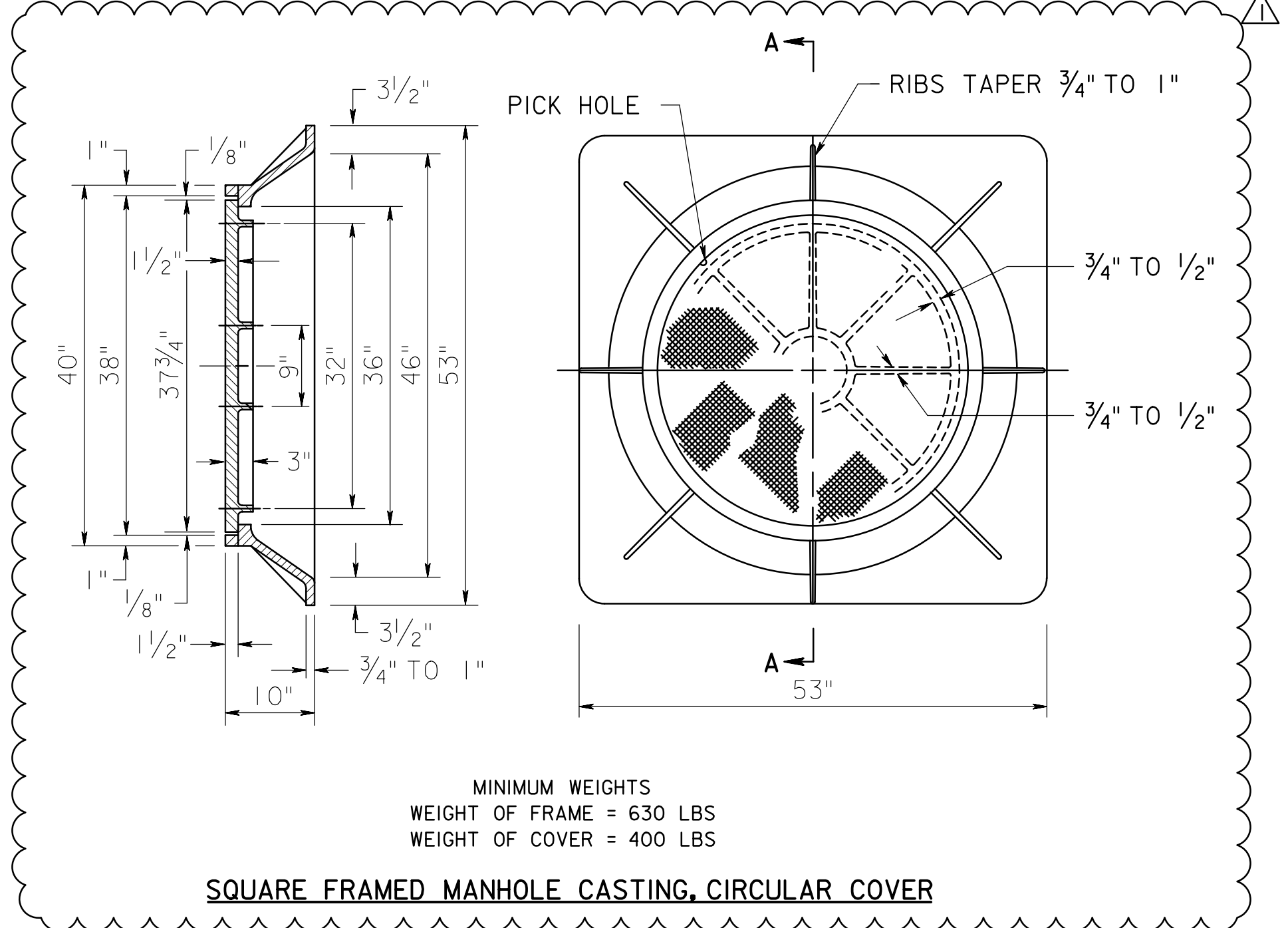


SECTION E-E



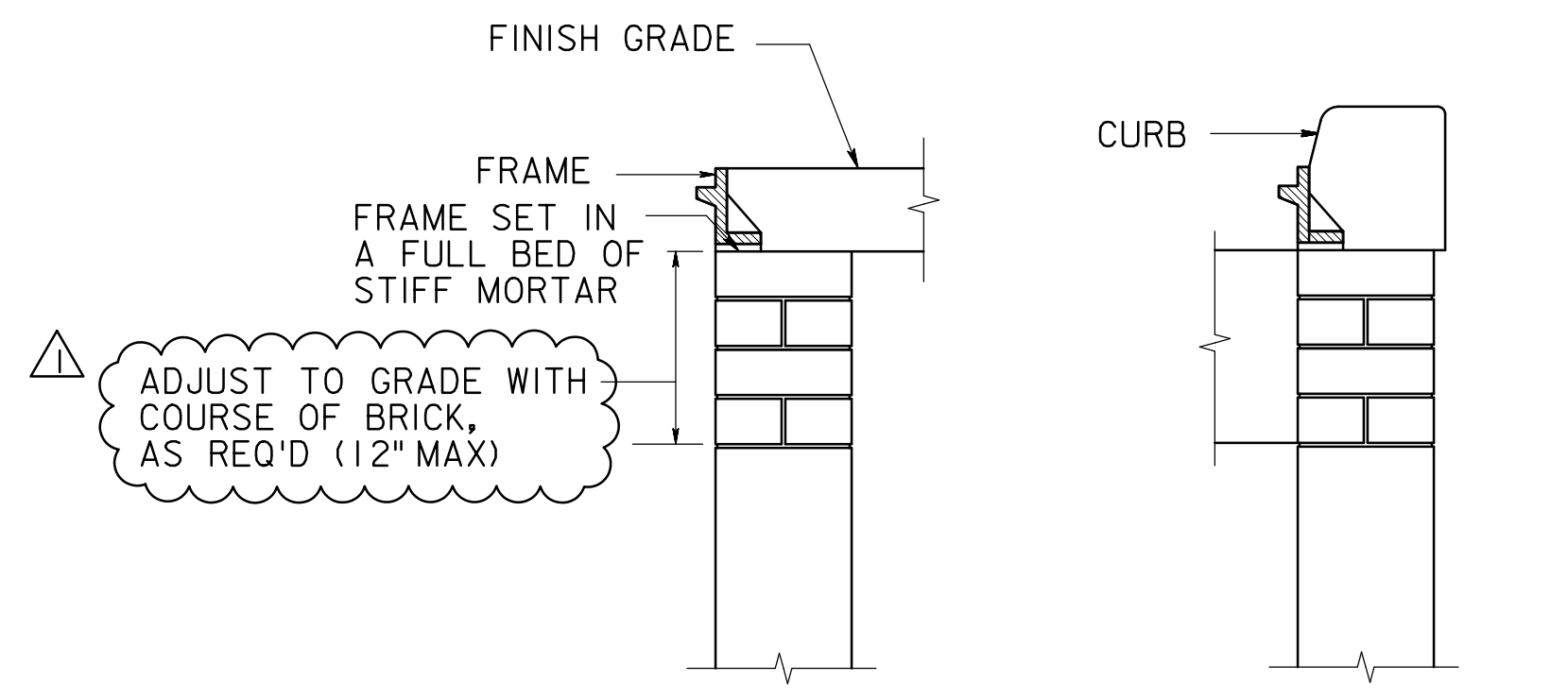
4" (NO CURB OPENINGS) MINIMUM WEIGHTS
WEIGHT OF FRAME = 312 LBS
WEIGHT OF BACK = 120 LBS
4" CURB PIECE WEIGHT = 80 LBS
6" CURB PIECE WEIGHT = 109 LBS

SECTION G-G



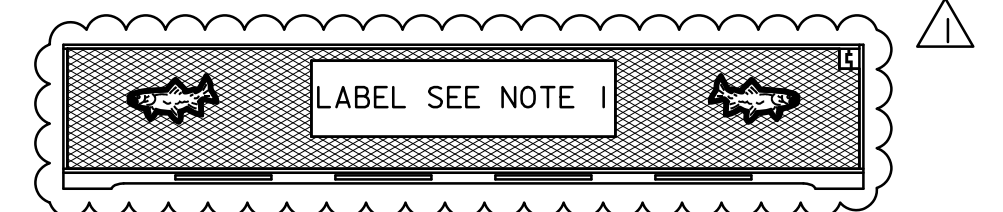
SQUARE FRAMED MANHOLE CASTING, CIRCULAR COVER

BICYCLE SAFE GRATES (CAST IRON)

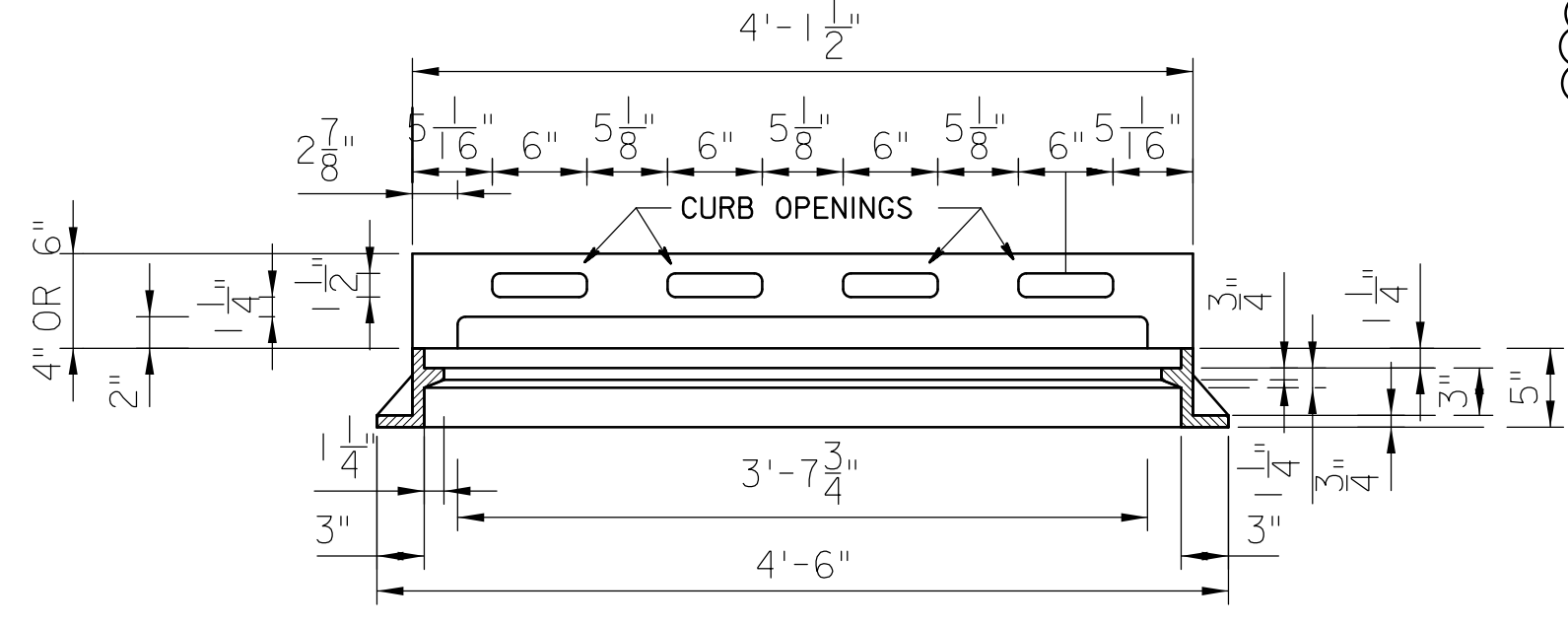


FRAME SETTING DETAIL

DETAIL AT CURB



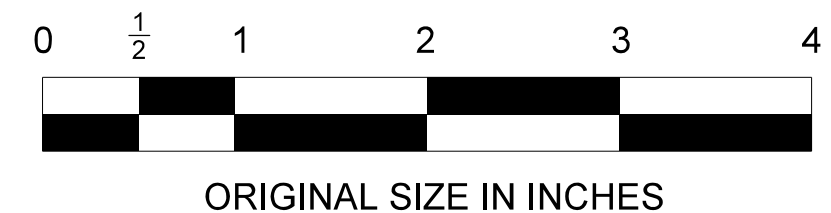
CURB PIECE LOGO



SECTION F-F

FRAME AND GRATING - TYPE G3
(FOR USE WITH DROP INLET D3)

- NOTES:**
1. STORM DRAIN INLET LABEL SHOULD READ "NO DUMPING, DRAINS TO WATERWAY" OR OTHERWISE APPROVED BY THE ENGINEER. FISH LOGOS SHALL BE INCLUDED ON BOTH SIDES OF THE LABEL.
 2. 4" HIGH CURB PIECE WITHOUT CURB OPENINGS, USED ON ALL PROJECTS UNLESS 6" IS SPECIFICALLY CALLED FOR.



App.	No.	DATE	REVISION
	I	03-22	REVISED CASTING WEIGHTS AND NOTES, ADDED MH CASTING DETAIL
	0	04-09	ORIGINAL DRAWING

NEW JERSEY TURNPIKE AUTHORITY

CAST FRAME AND GRATING DETAILS

OFFICE OF THE CHIEF ENGINEER

2009 STANDARD DRAWING

DR-2