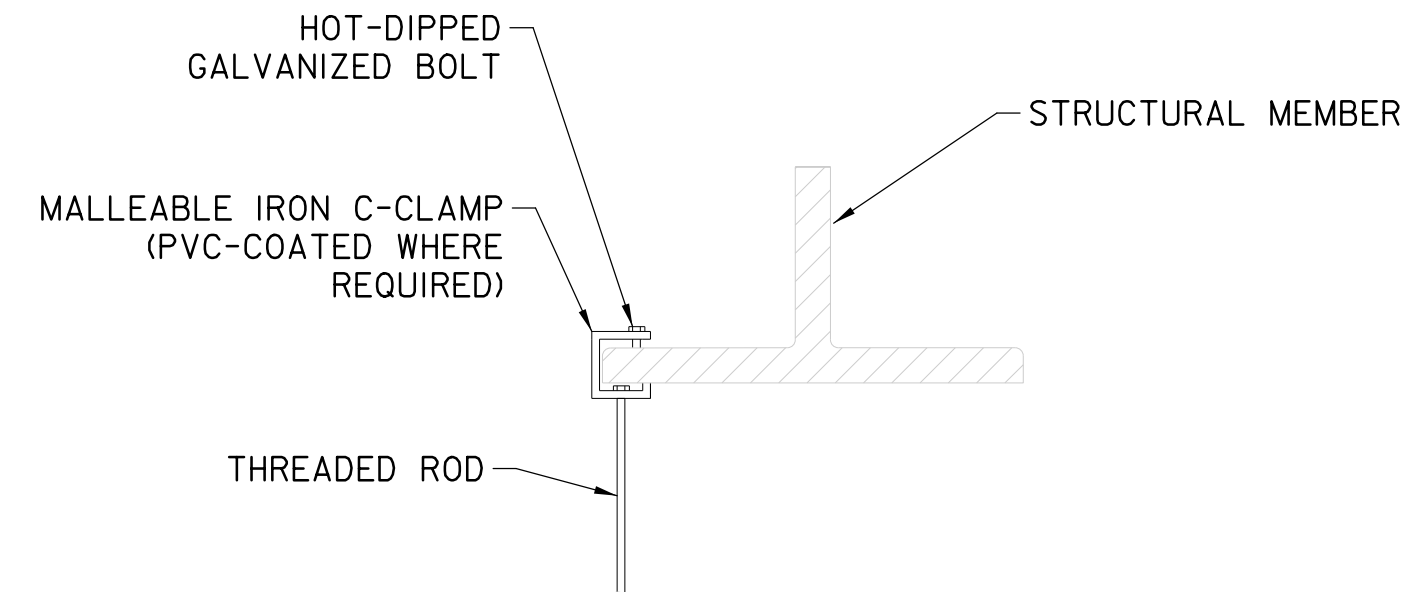
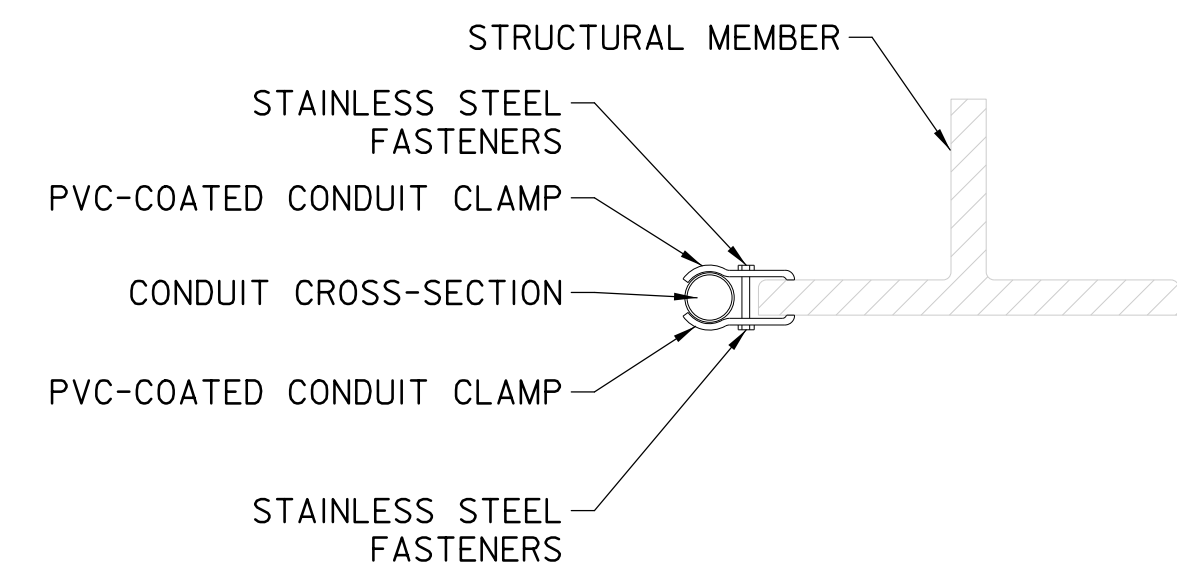


**THREADED ROD CLAMP**



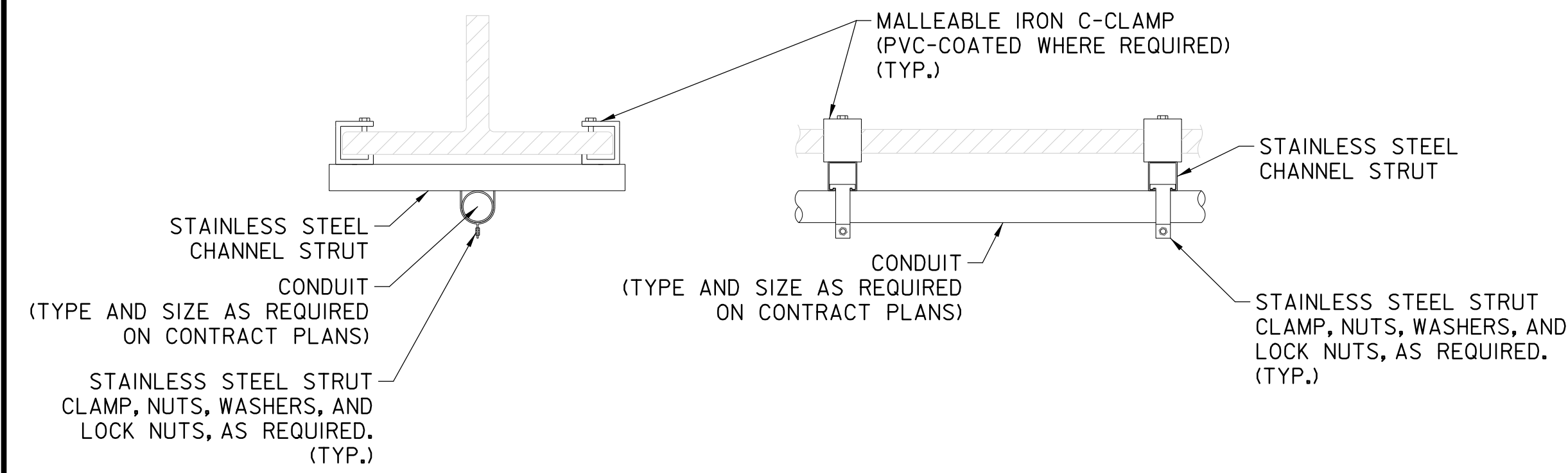
**C-CLAMP ATTACHMENT**



**SINGLE NO-DRILL CONDUIT CLAMP**

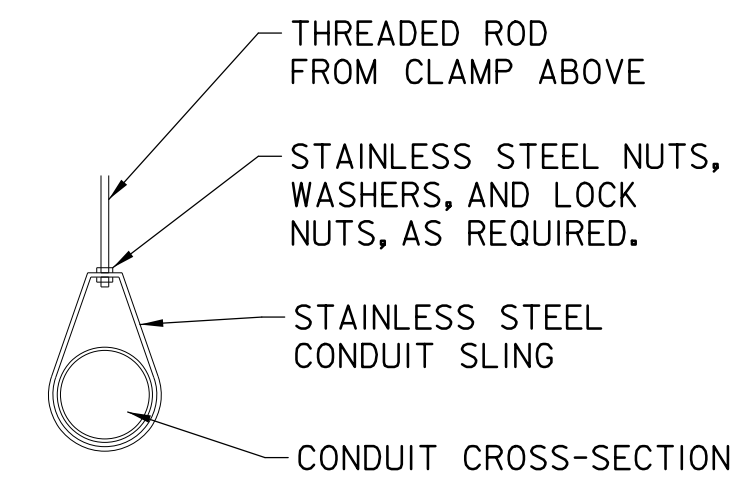
**STRUCTURAL MEMBER ATTACHMENT TYPES**

SCALE: 1"=1'-0"



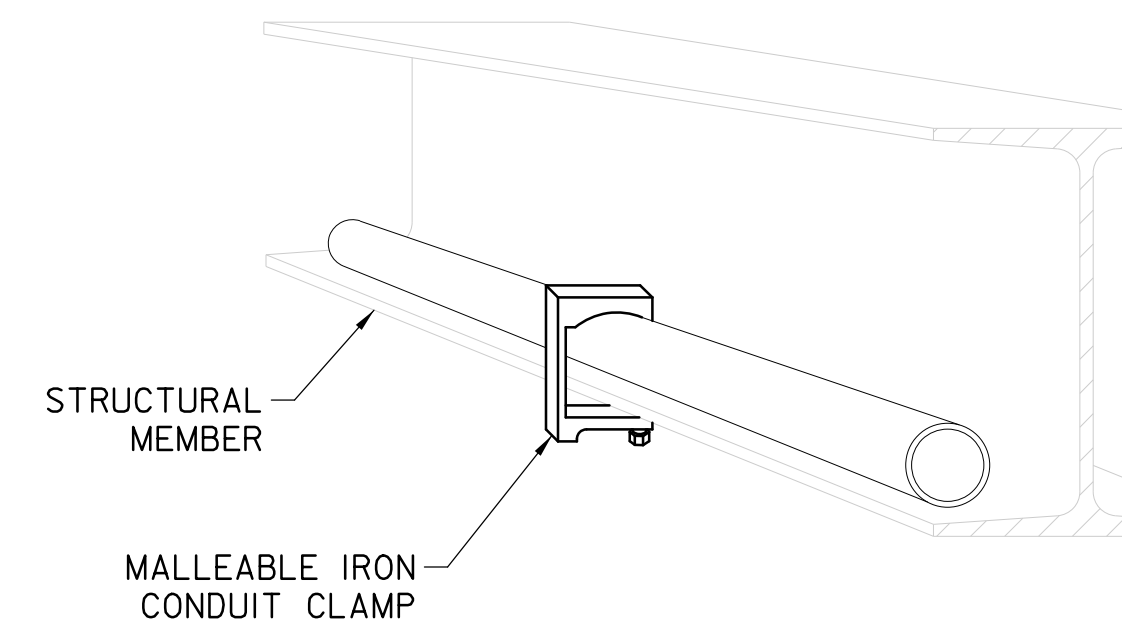
**PARALLEL CONDUIT MOUNT**

SCALE: 1"=1'-0"



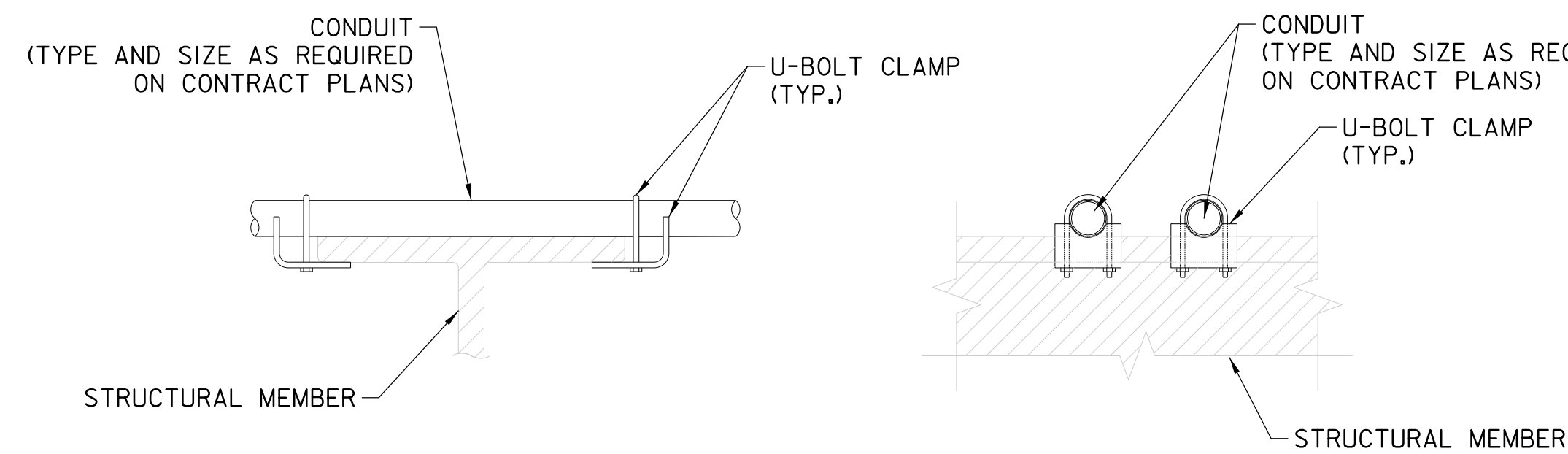
**SUSPENDED CONDUIT SLING**

NOT TO SCALE



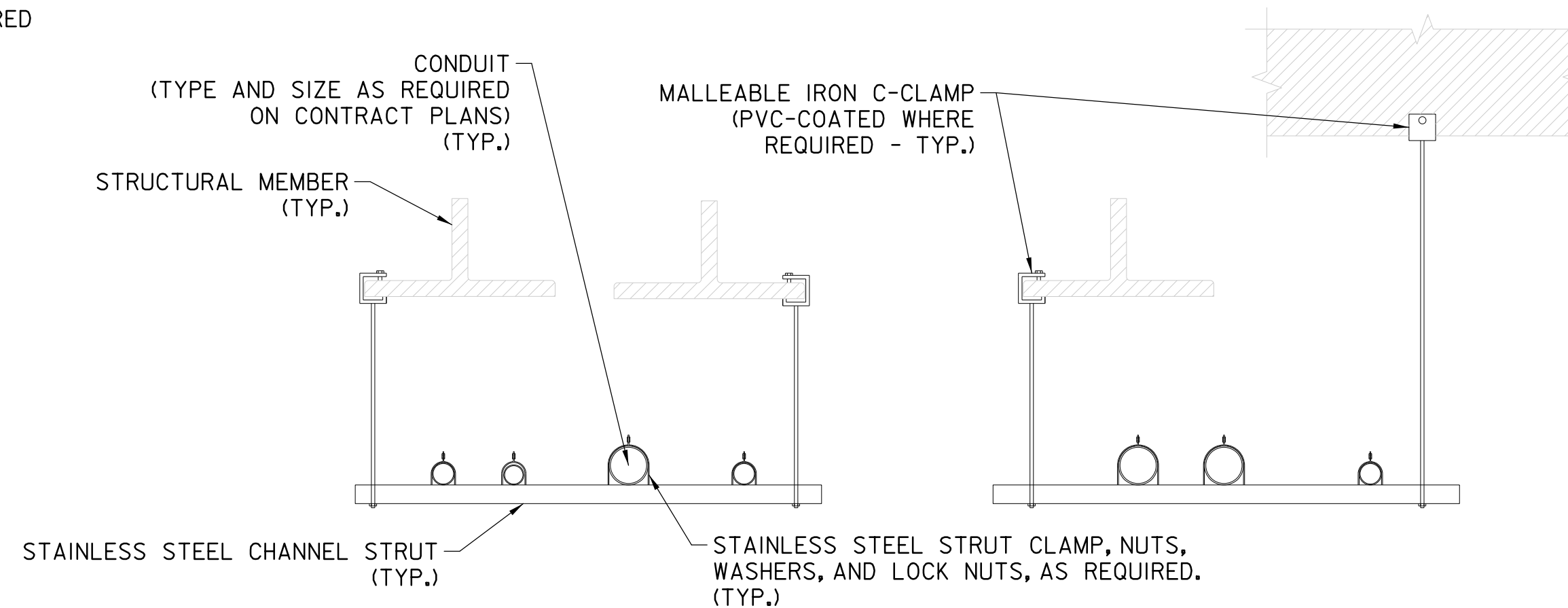
**STRUCTURAL MOUNTED LUMINAIRE INSTALLATION DETAIL, TYPE S**

NOT TO SCALE



**PERPENDICULAR CONDUIT MOUNT**

SCALE: 1"=1'-0"

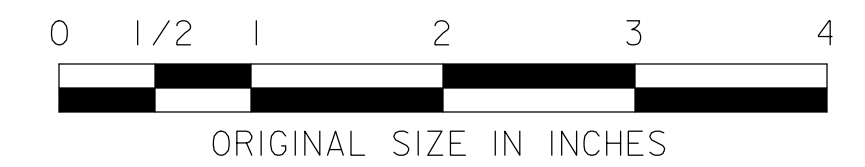


**PARALLEL CONDUIT**

**ALTERNATE INSTALLATION**

**CONDUIT TRAPEZE**

NOT TO SCALE



**NOTES**

1. METHODS SHOWN MAY BE USED IN COMBINATION TO ACHIEVE VARIOUS INSTALLATIONS WITHOUT DRILLING OR WELDING STRUCTURAL STEEL.
2. SEE CONTRACT PLANS FOR CONDUIT INSTALLATION TYPE.

NEW JERSEY TURNPIKE AUTHORITY  
**NEW JERSEY TURNPIKE  
GARDEN STATE PARKWAY**

STANDARD DRAWINGS

CONDUIT INSTALLATION DETAILS

OFFICE OF THE CHIEF ENGINEER  
NEW JERSEY TURNPIKE AUTHORITY  
WOODBRIIDGE, NEW JERSEY

STANDARD DRAWING

E-26

REV.	DESCRIPTION	DATE
0	REISSUED DRAWING	09/21