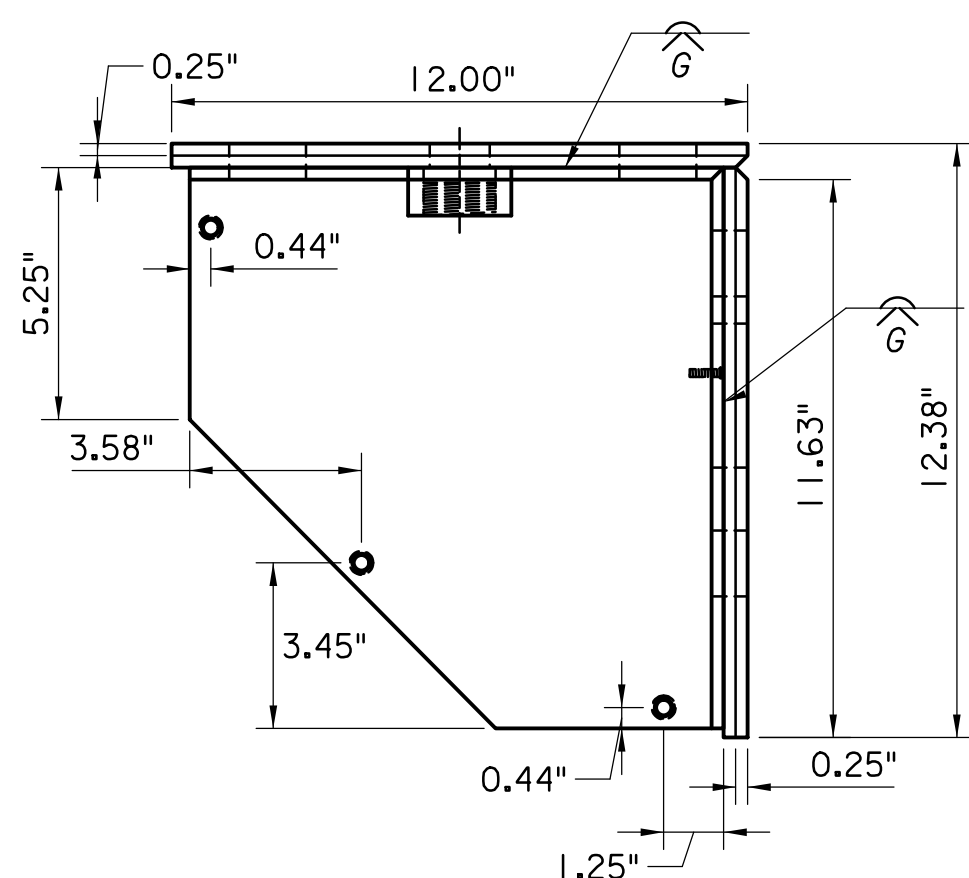
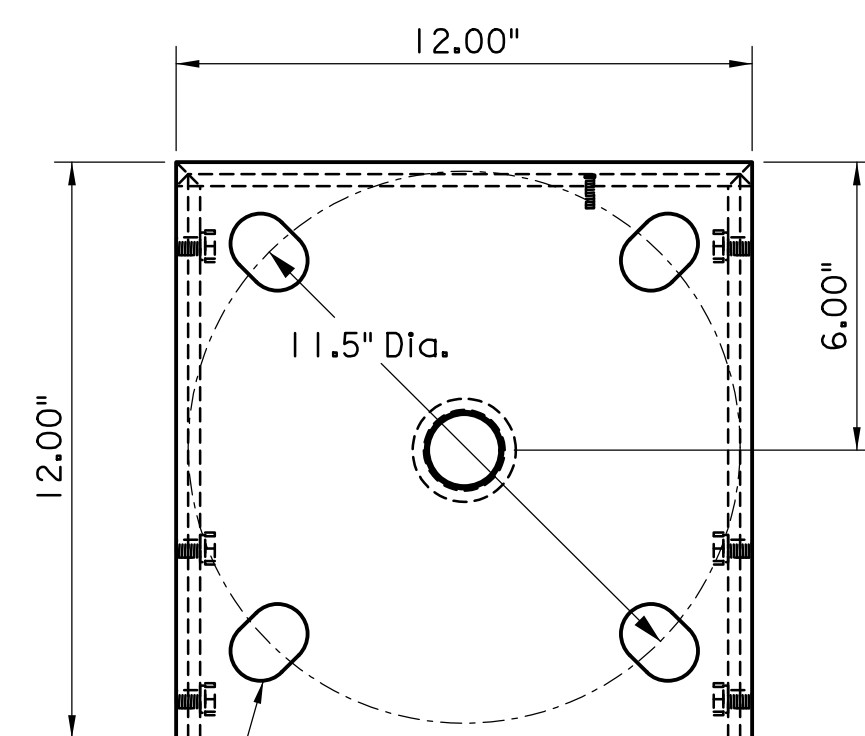


FRONT



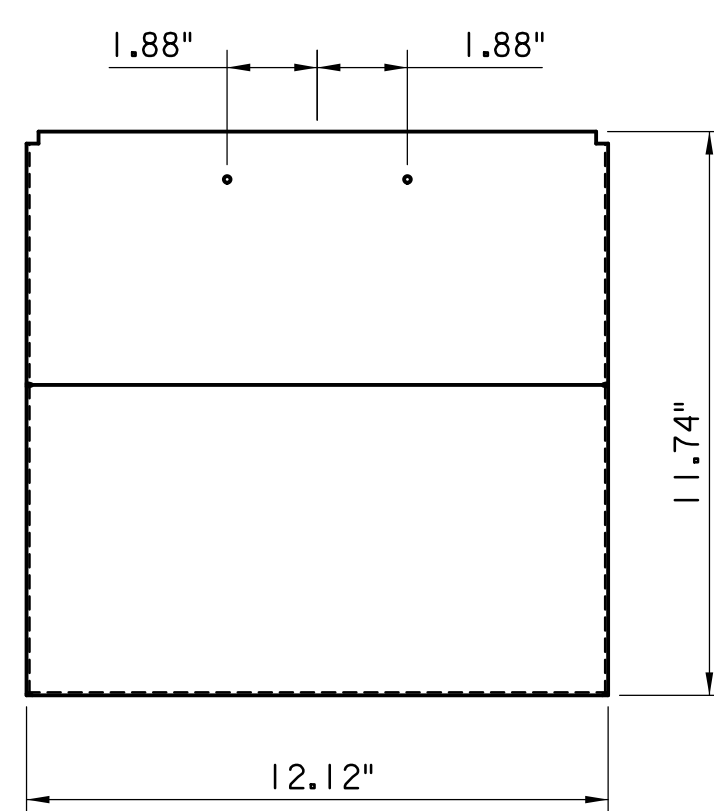
ELEVATION A-A



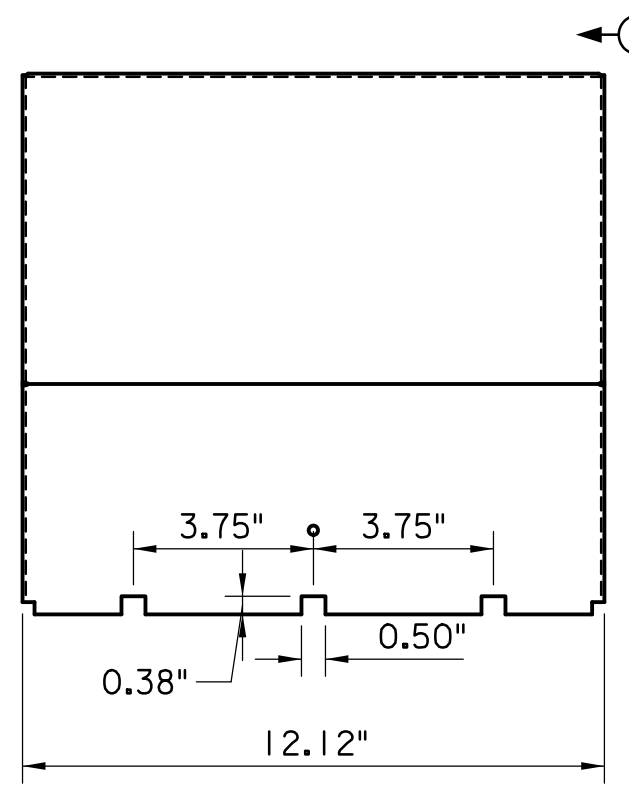
TOP

1.25 X 1.75 SLOT
(4 PLACES)

LOWER BRACKET



TOP

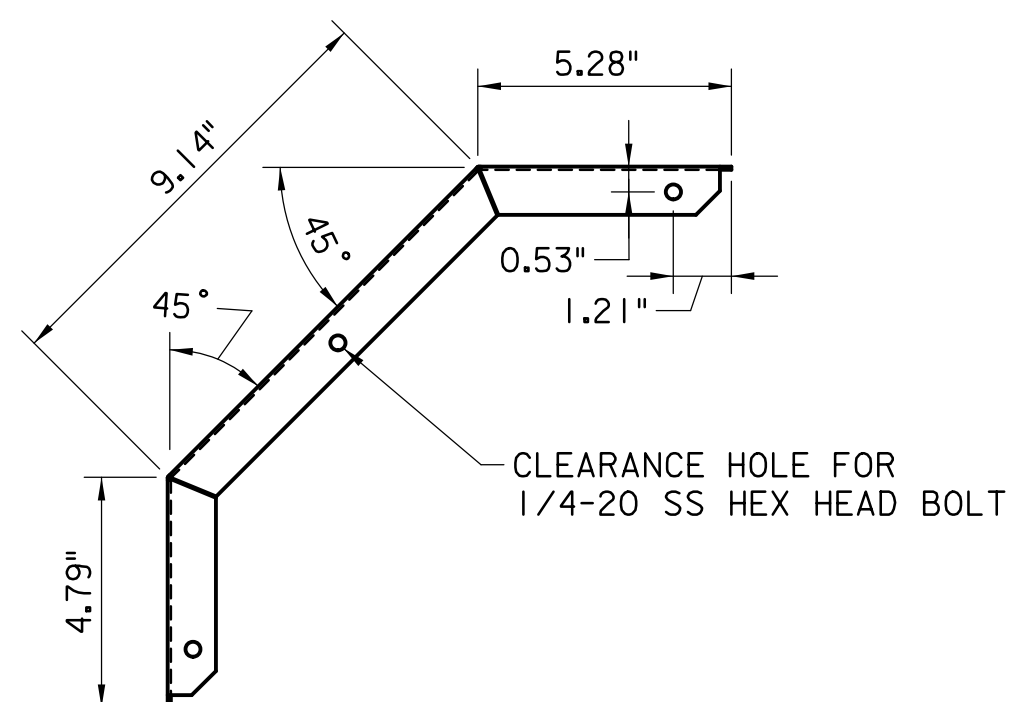


FRONT

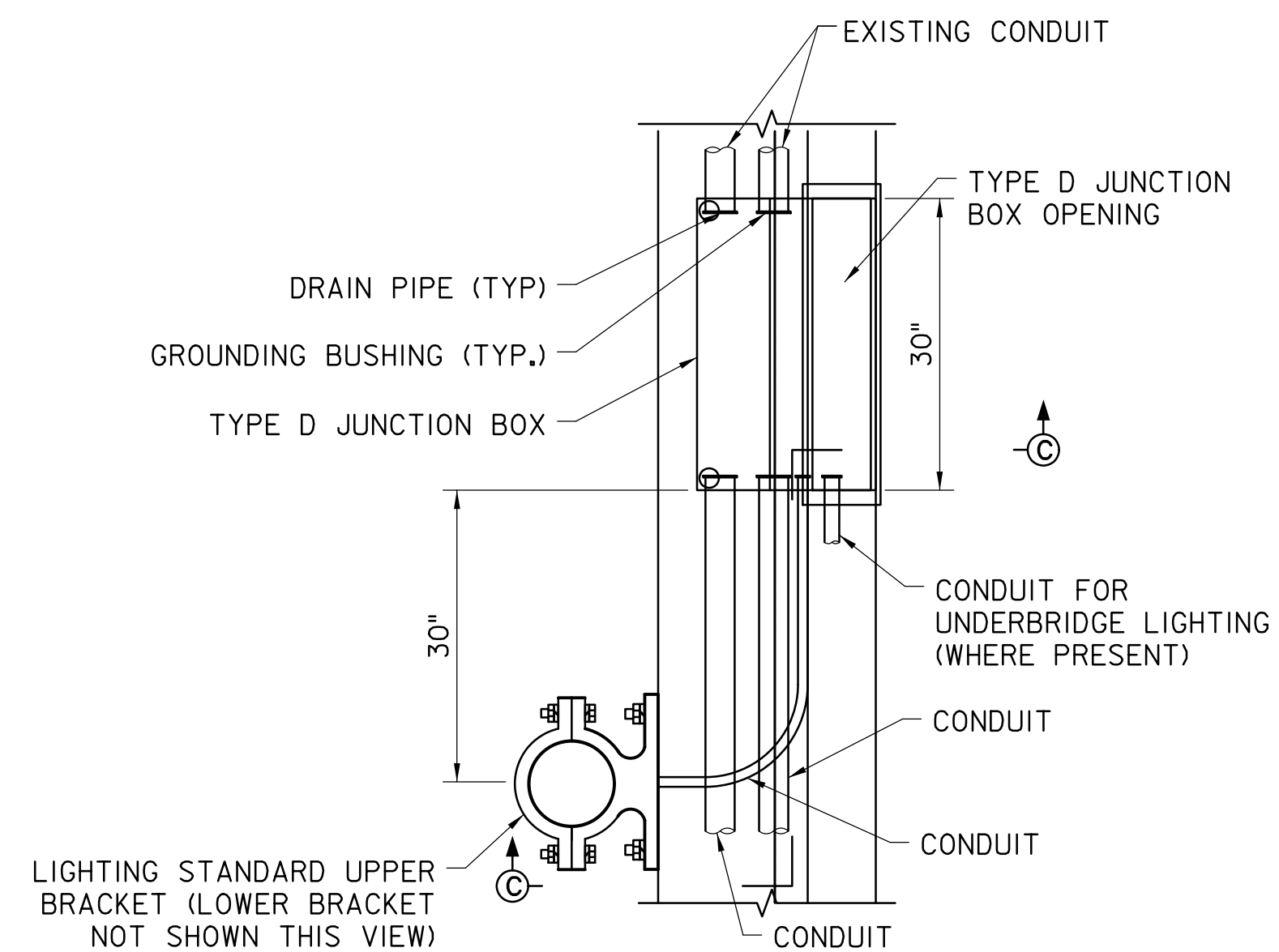
LOWER BRACKET COVER

RETROFIT PARAPET LOWER MOUNTING BRACKET

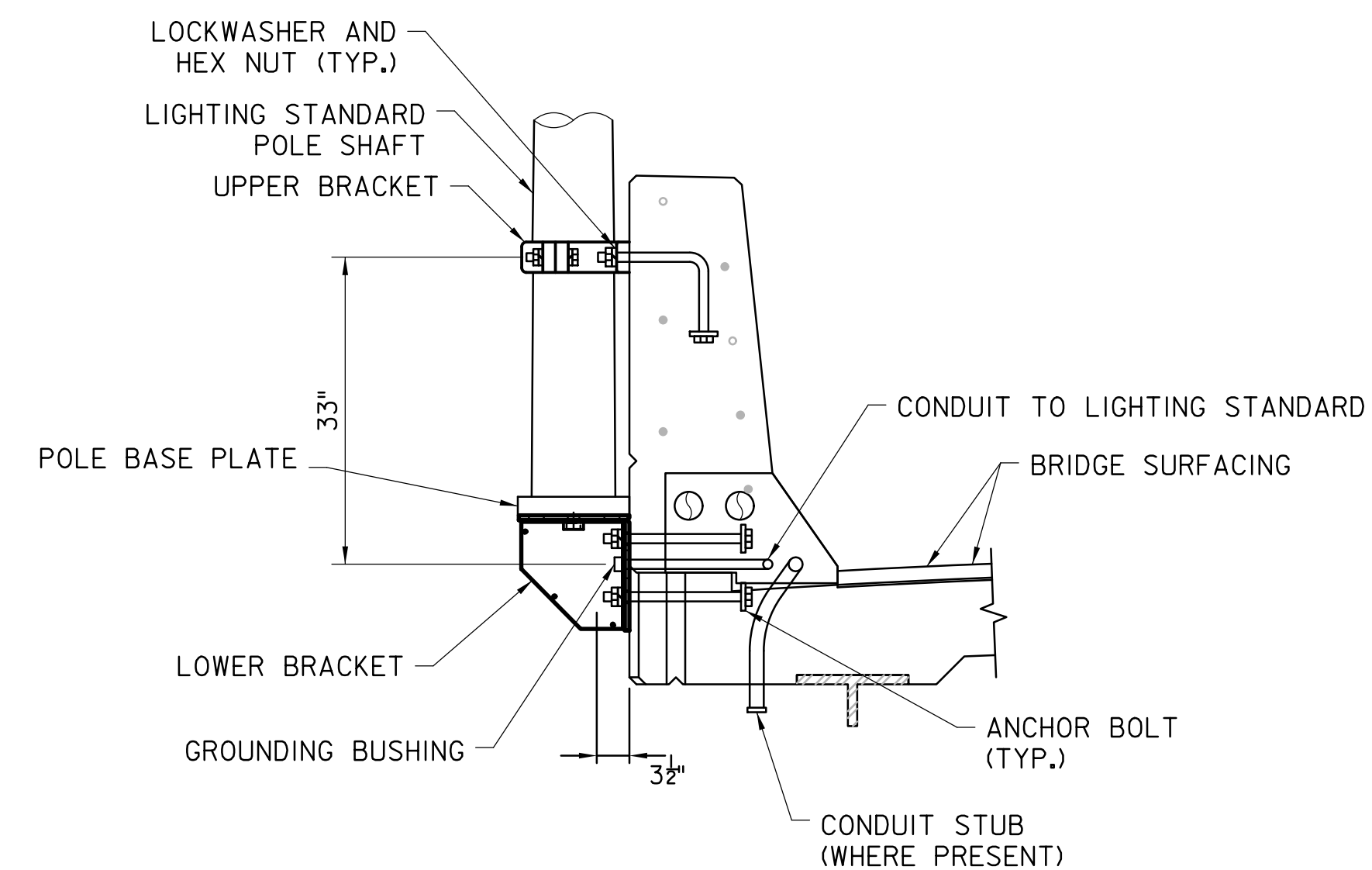
4" - 1'-0"



ELEVATION B-B



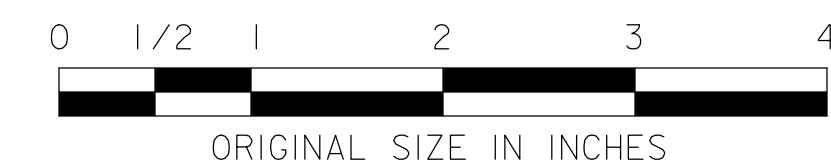
PLAN



SECTION C-C

RETROFIT PARAPET MOUNTING BRACKET

3/4" = 1'-0"



NOTES

1. THIS DETAIL SHALL ONLY BE USED FOR RETROFIT INSTALLATIONS.
2. RETROFIT LUMINAIRE LOWER MOUNTING BRACKET SHALL BE CONSTRUCTED OF #304 STAINLESS STEEL, AS SHOWN. LOWER BRACKET COVER SHALL BE CONSTRUCTED OF 0.60 THICK #304 SS.
3. STAINLESS STEEL SHIMS SHALL BE USED TO PLUMB LIGHTING STANDARD, WHERE REQUIRED.
4. FOR GROUNDING TERMINAL DETAIL, SEE STANDARD DRAWING E-11.

NEW JERSEY TURNPIKE AUTHORITY
**NEW JERSEY TURNPIKE
GARDEN STATE PARKWAY**
STANDARD DRAWINGS

MISCELLANEOUS DETAILS - 2

OFFICE OF THE CHIEF ENGINEER
NEW JERSEY TURNPIKE AUTHORITY
WOODBRIIDGE, NEW JERSEY

STANDARD DRAWING

REV.	DESCRIPTION	DATE
0	REISSUED DRAWING	09/21

E-17