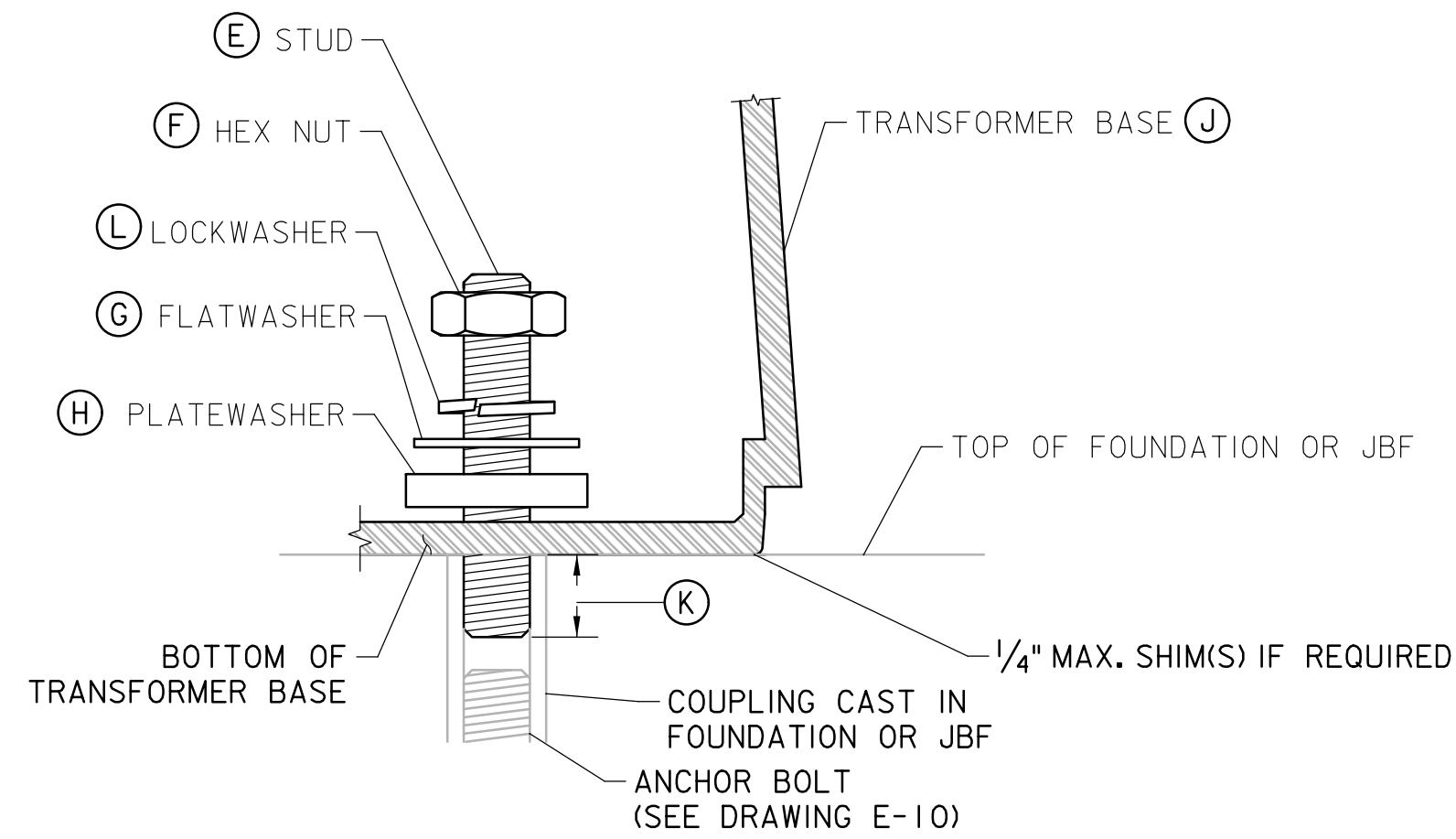


ALUMINUM POLE TO TRANSFORMER BASE
(SEE NOTE 7)



TRANSFORMER BASE TO FOUNDATION
(SEE NOTE 7)

TYPICAL ALUMINUM POLE BOLTING DETAILS

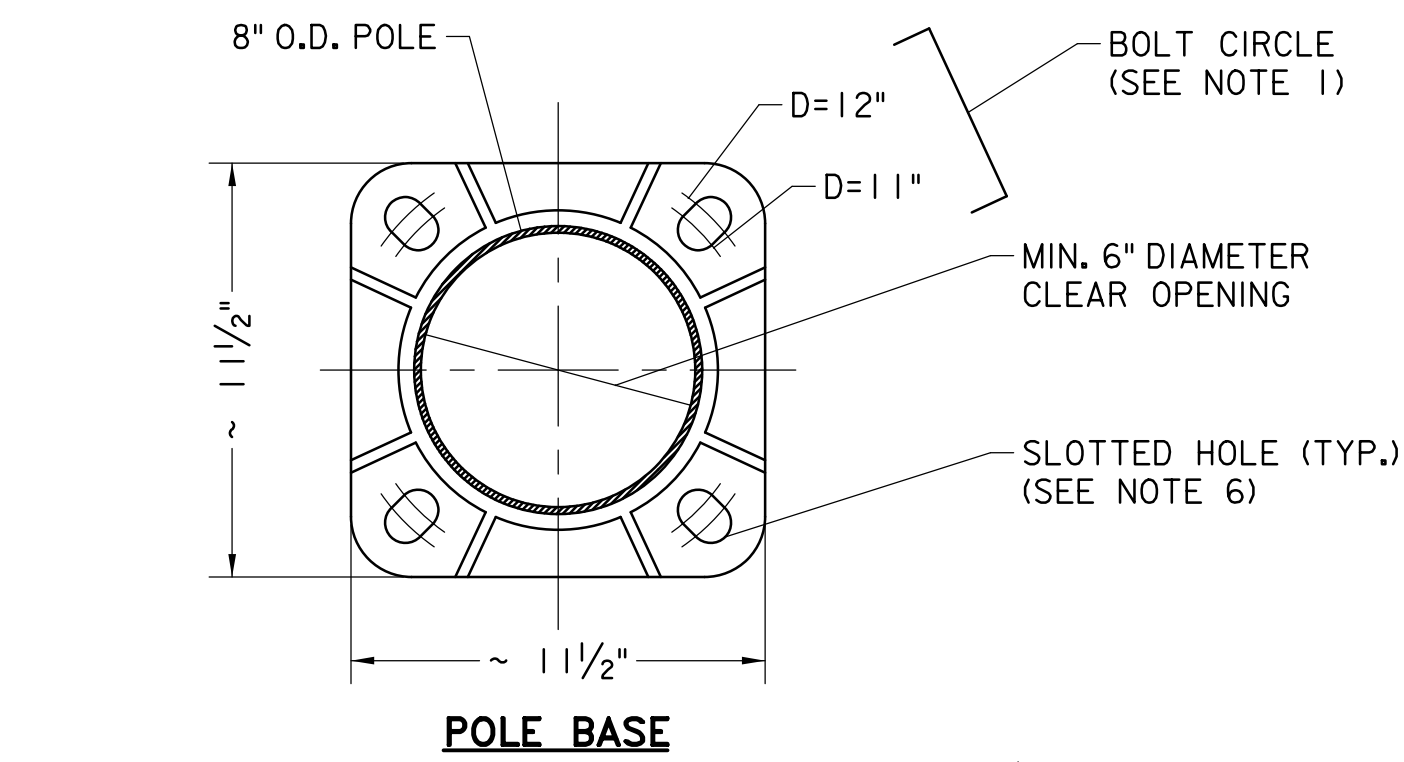
SCALE: 3/8" = 1"
(SEE SCHEDULE 9.1 FOR DIMENSIONS)

ITEM	DIMENSION WHEN USING ALUMINUM POLE WITH 11"-12" BOLT CIRCLE
A	1"-8NC x 3 3/4" LONG
B	1 1/16" I.D. FOR 1" BOLT
C	2 3/4" O.D. x 1/2" THK
D	1"-8NC
E	1"-8NC x 6" LONG*
F	1"-8NC
G	1 1/16" I.D. FOR 1" BOLT
H	2 3/4" O.D. x 1/2" THK
J	TRANSFORMER BASE TB-A
K	1 1/4" EMBEDMENT (MIN)
L	1 1/16" I.D. x 1/4" THK.

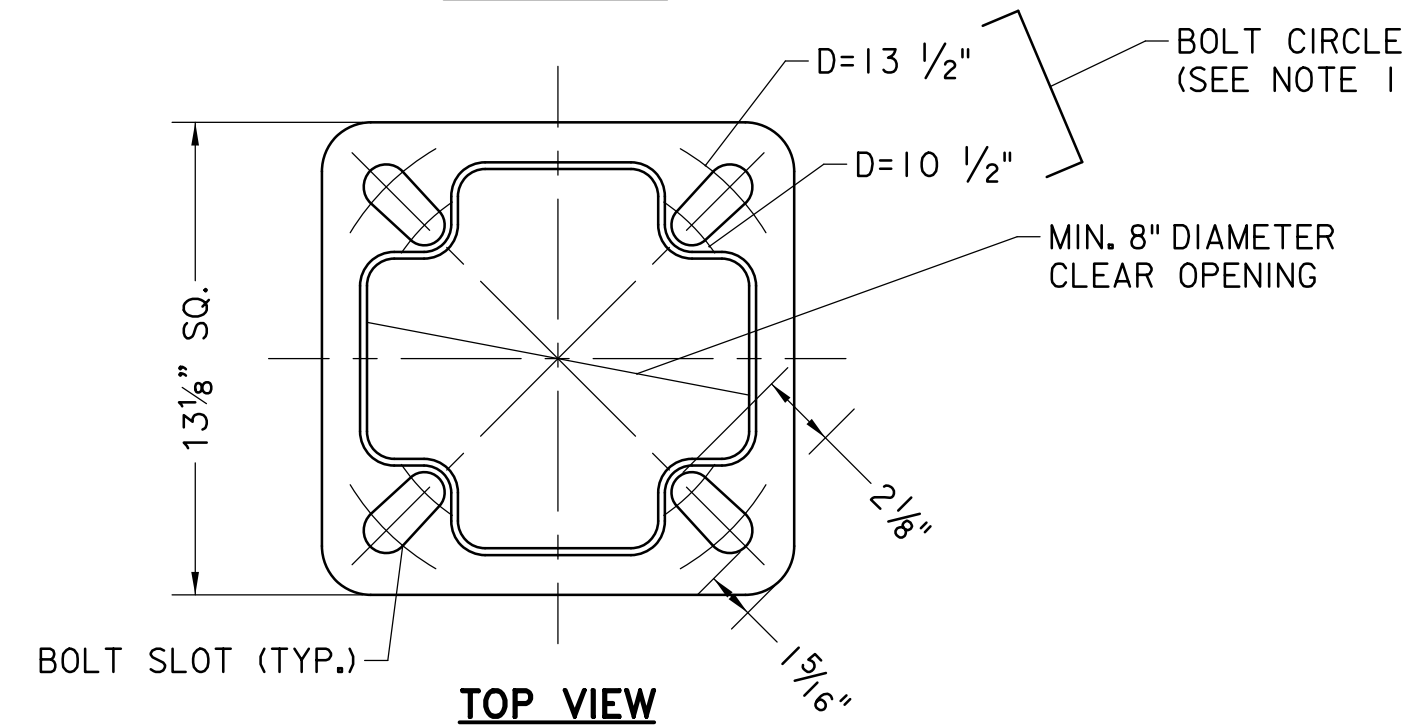
* OR SIZED AS REQUIRED TO ALLOW SUFFICIENT ROOM TO INSTALL BOLT COVERS ON POLE BASE PLATE OR OMISSION OF VIBRATION DAMPING PAD

SCHEDULE 9.1 - DIMENSIONS FOR ANCHOR BOLT ASSEMBLY

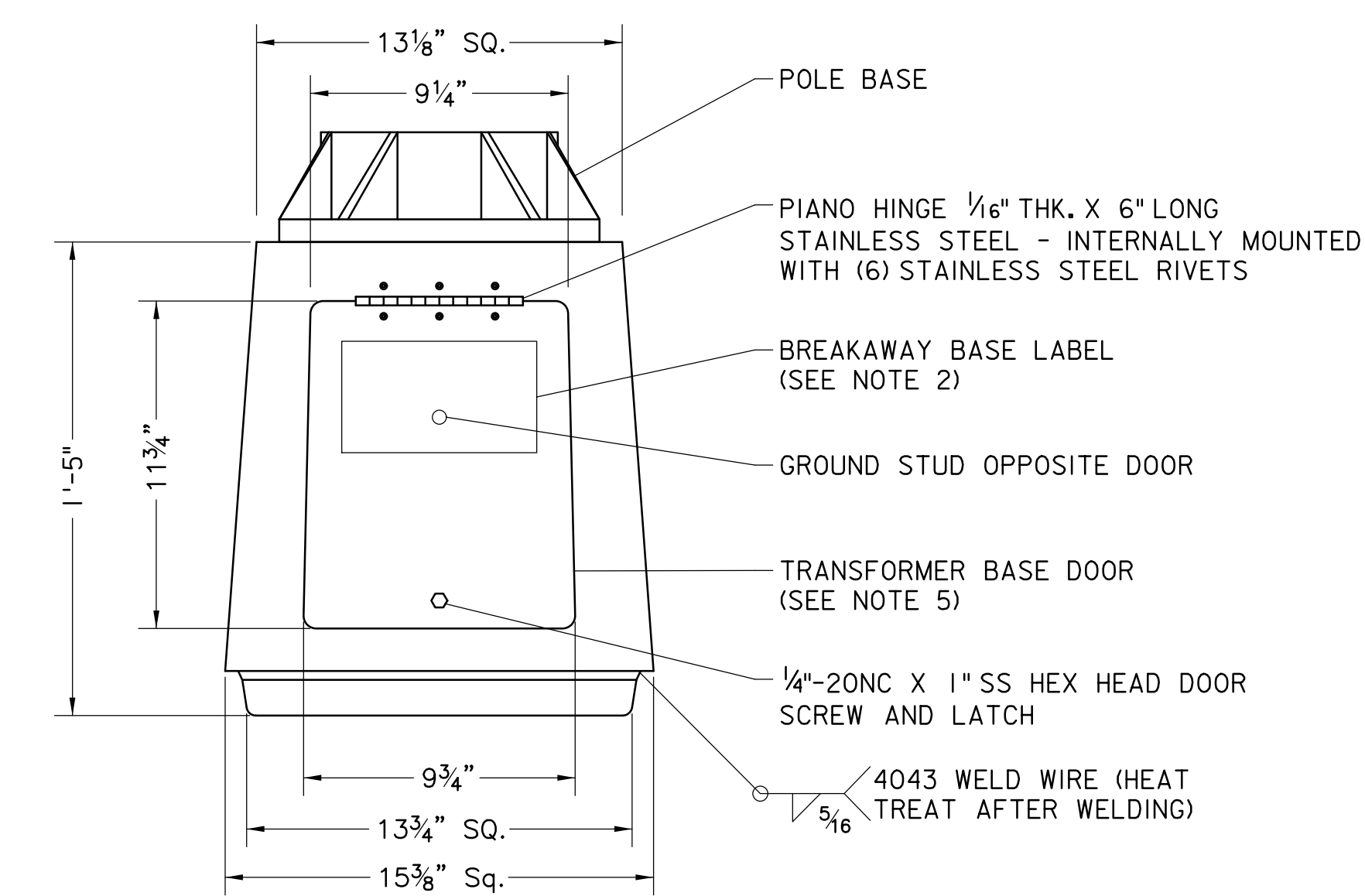
(SEE NOTE 7)



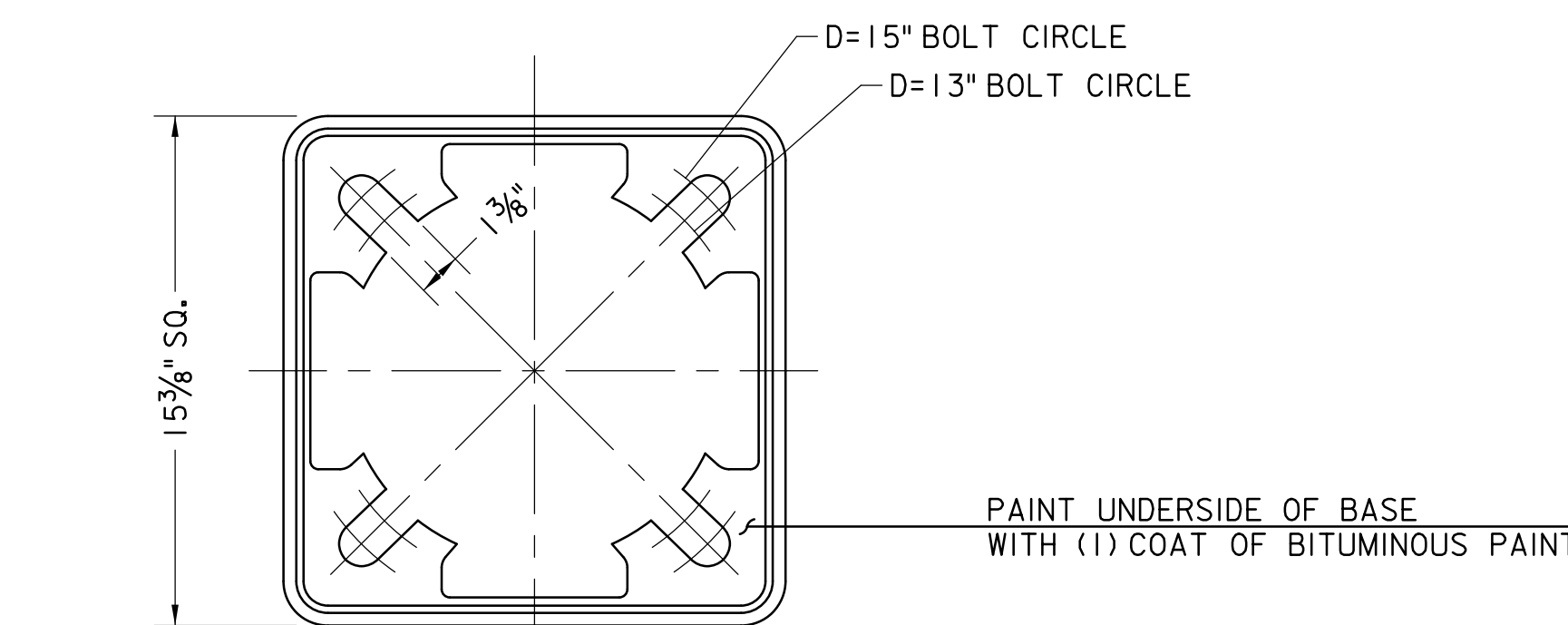
POLE BASE



TOP VIEW



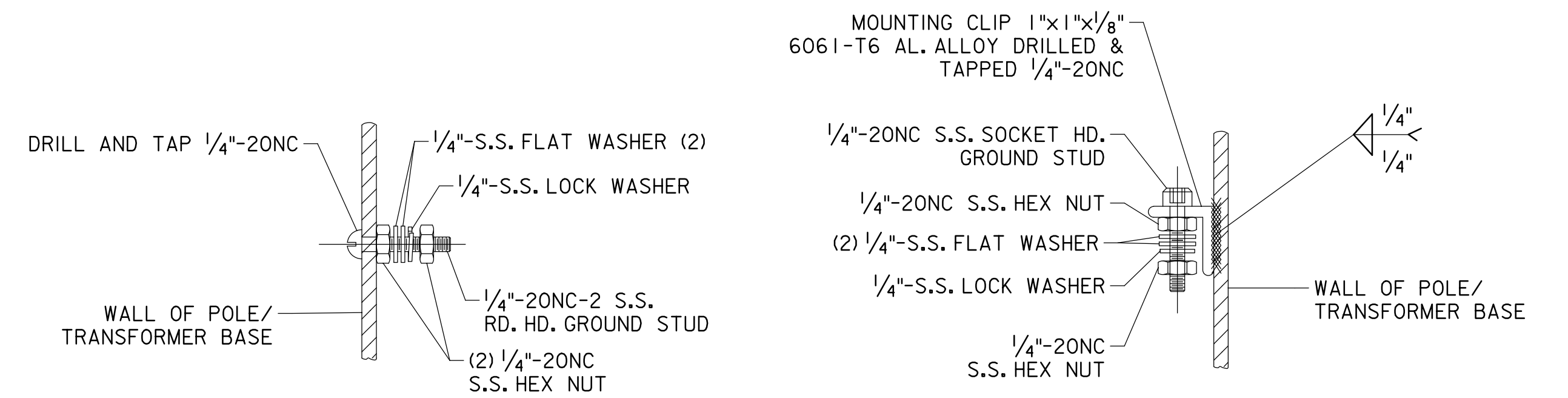
ELEVATION



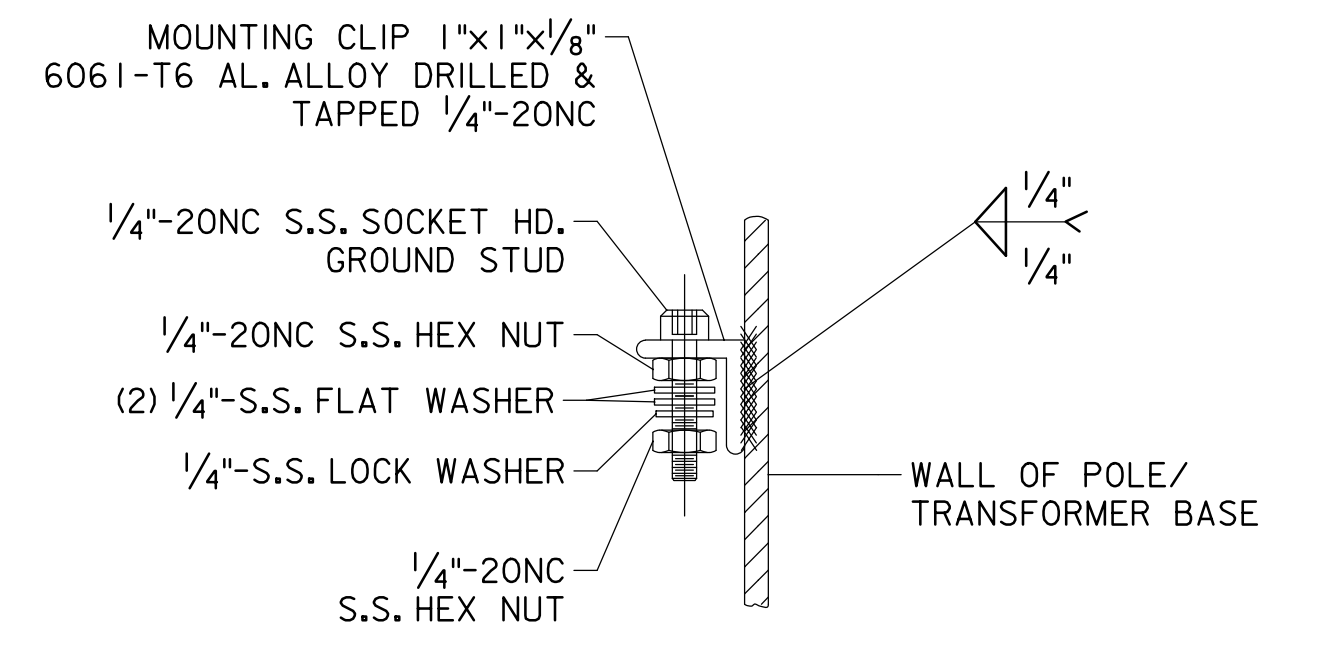
BOTTOM VIEW

TRANSFORMER BASE TB-A (TB1-17)

SCALE: 3/16" = 1'-0"



DETAIL A



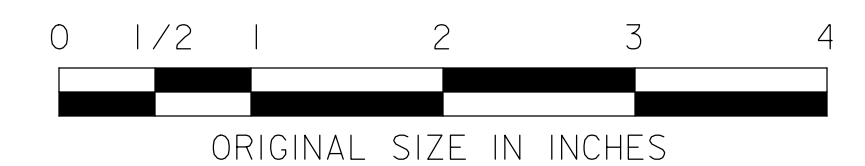
ALTERNATE DETAIL B

GROUND STUD DETAIL (OPPOSITE HANDHOLE/ TRANSFORMER BASE)

NOT TO SCALE

NOTES

- BOLTS CONNECTING POLE BASE TO TRANSFORMER BASE TB-A SHALL BE INSTALLED ON A 12" BOLT CIRCLE.
- ALL TRANSFORMER BASES SHALL BE CERTIFIED BY F.H.W.A AS AN APPROVED BREAKAWAY ROADSIDE HARDWARE DEVICE TO THE MOST CURRENT AASHTO STANDARDS. A LABEL INDICATING THIS CERTIFICATION SHALL BE AFFIXED TO THE TRANSFORMER BASE OPPOSITE THE DOOR OPENING.
- TRANSFORMER BASES SHALL BE CONSTRUCTED OF CAST ALUMINUM ALLOY 356-T6.
- FOR TRANSFORMER BASE:
CONTRACTOR SHALL PROVIDE A GROUNDING STUD IN EVERY TRANSFORMER BASE ON THE WALL OPPOSITE THE DOOR. GROUNDING STUD SHALL BE INSTALLED AS SHOWN IN DETAIL A OR DETAIL B. GROUNDING IN ALL TRANSFORMER BASES ON EACH PROJECT SHALL BE INSTALLED PER THE SAME METHOD.
FOR POLES MOUNTED WITHOUT TRANSFORMER BASE:
DETAIL A AND B SHALL ALSO BE USED FOR INSTALLATION OF POLE GROUNDING STUD IN POLE BASE MOUNTED POLES, WHERE NO TRANSFORMER BASE IS PROVIDED. GROUNDING SHALL BE INSTALLED OPPOSITE HANDHOLES ON THESE POLES.
- TRANSFORMER BASE DOOR SHALL BE MANUFACTURED OF ALUMINUM ALLOY 356-T6. MINIMUM THICKNESS SHALL BE 3/16".
- SLOTTED HOLES IN POLE BASE SHALL BE SIZED TO ACCEPT 1" DIAMETER ANCHOR BOLTS FOR TRANSFORMER BASE TYPE TB-A.
- ALL STAINLESS STEEL (S.S.) HARDWARE SHALL BE TYPE 304 IN ACCORDANCE WITH ASTM A193 GRADE B8. ALL OTHER HARDWARE SHALL BE STEEL AND MEET THE FOLLOWING STANDARDS WHERE APPLICABLE:
- GALVANIZING, HOT DIPPED PER ASTM A153
- HEX NUTS PER ASTM A563 GRADE DH
- WASHERS PER ASTM F436
- SEE STANDARD DRAWING E-10 FOR ANCHOR BOLT AND BOLT COUPLING DETAILS AND DIMENSIONS.



NEW JERSEY TURNPIKE AUTHORITY
NEW JERSEY TURNPIKE GARDEN STATE PARKWAY

STANDARD DRAWINGS

TRANSFORMER BASE AND POLE GROUNDING DETAILS

OFFICE OF THE CHIEF ENGINEER
NEW JERSEY TURNPIKE AUTHORITY
WOODBRIIDGE, NEW JERSEY

STANDARD DRAWING

E-09

REV.	DESCRIPTION	DATE
0	REISSUED DRAWING	09/21