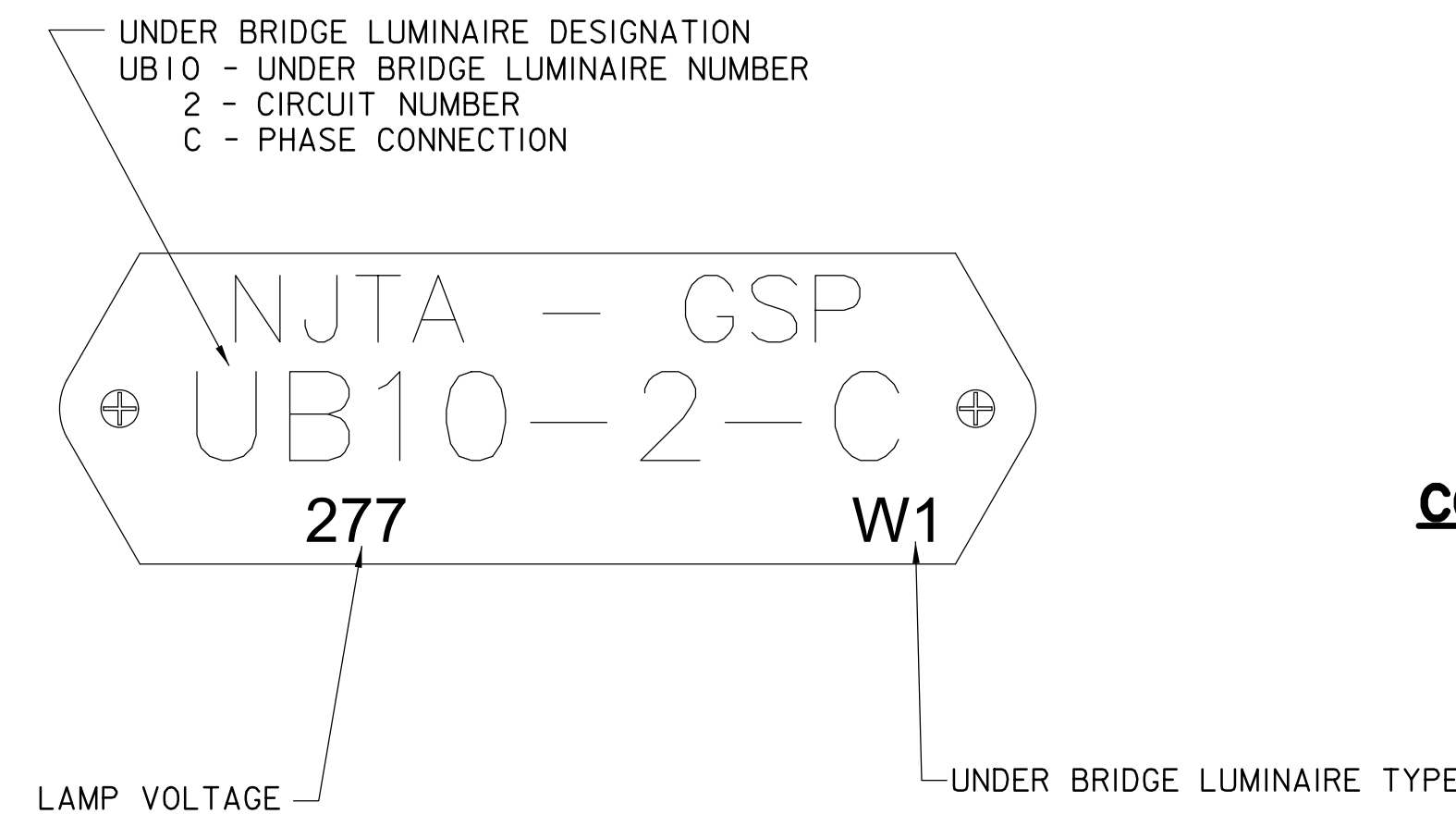
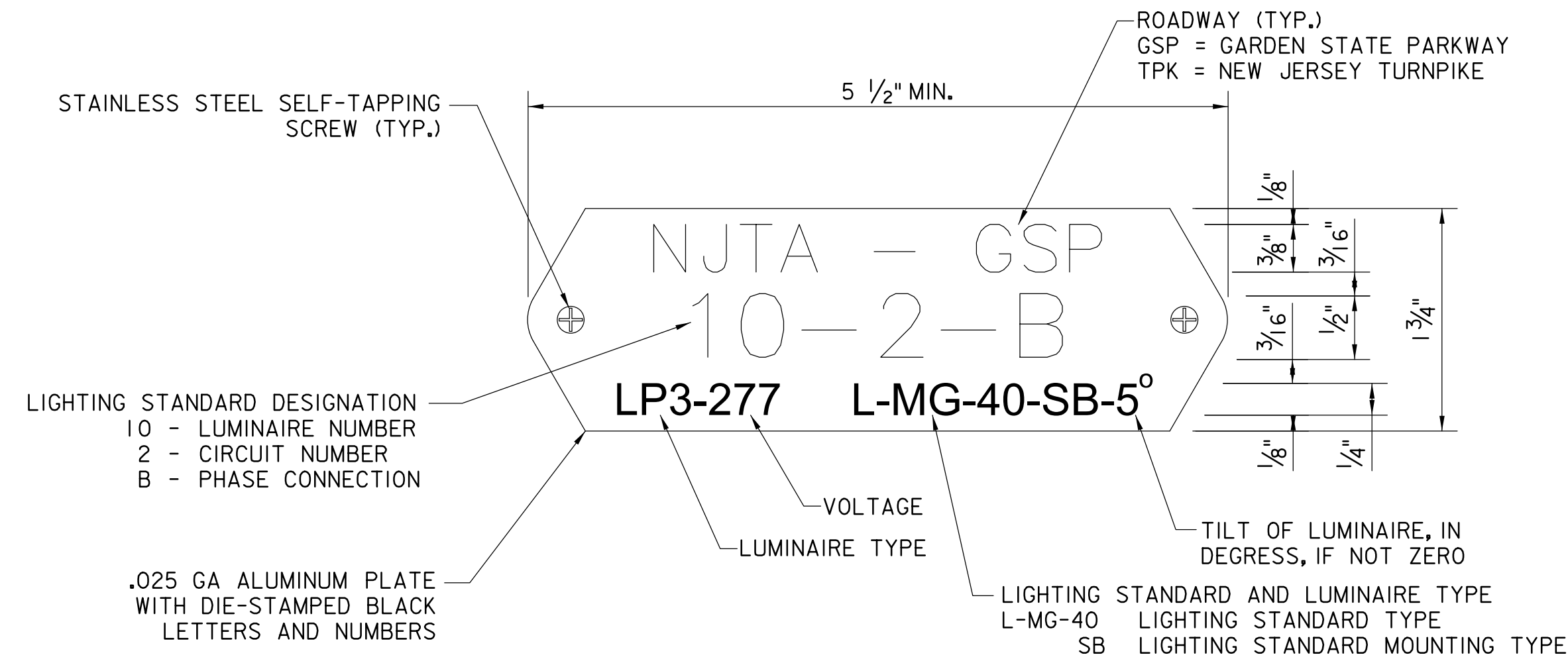


**NOTES**

1. ALL HARDWARE AND MOUNTING DEVICES UTILIZED IN CONJUNCTION WITH ATTACHMENT OF IDENTIFICATION PLATES SHALL BE STAINLESS STEEL TYPE 304.
2. ARRANGEMENT AND INSTALLATION DETAILS FOR UNDERBRIDGE LUMINAIRE IDENTIFICATION PLATES AS SHOWN ARE INTENDED FOR COLUMN TYPE PIER INSTALLATIONS. SIMILAR ARRANGEMENT SHALL BE USED FOR ABUTMENTS AND SOLID PIER FACES, AS DIRECTED BY THE ENGINEER. THE SAME IDENTIFICATION TAG ARRANGEMENT AND MOUNTING PLATE SHALL ALSO BE INSTALLED ON ALL TOWER LIGHTING INSTALLATIONS, QUANTITY AS REQUIRED FOR TOWER LIGHTING.
3. LENGTH OF THE MOUNTING PLATE SHALL BE DETERMINED BY THE NUMBER OF IDENTIFICATION PLATES (MAXIMUM 4 PER MOUNTING PLATE) AS REQUIRED.
4. IDENTIFICATION PLATES SHALL BE INSTALLED 4'-6" ABOVE THE CONCRETE BASE FOR GROUND MOUNTED LIGHTING STANDARDS AND 1'-0" ABOVE THE PARAPET HANDRAIL OR PARAPET (WHERE THERE IS NO HANDRAIL) FOR BRIDGE MOUNTED LIGHTING STANDARDS.
5. I.D. TAGS SHALL BE CENTERED BOTH VERTICALLY AND HORIZONTALLY ON THE MOUNTING PLATE.
6. SEE CONTRACT PLANS FOR LIGHTING STANDARD AND LUMINAIRE TYPE.



**CONNECTED LINE VOLTAGES**

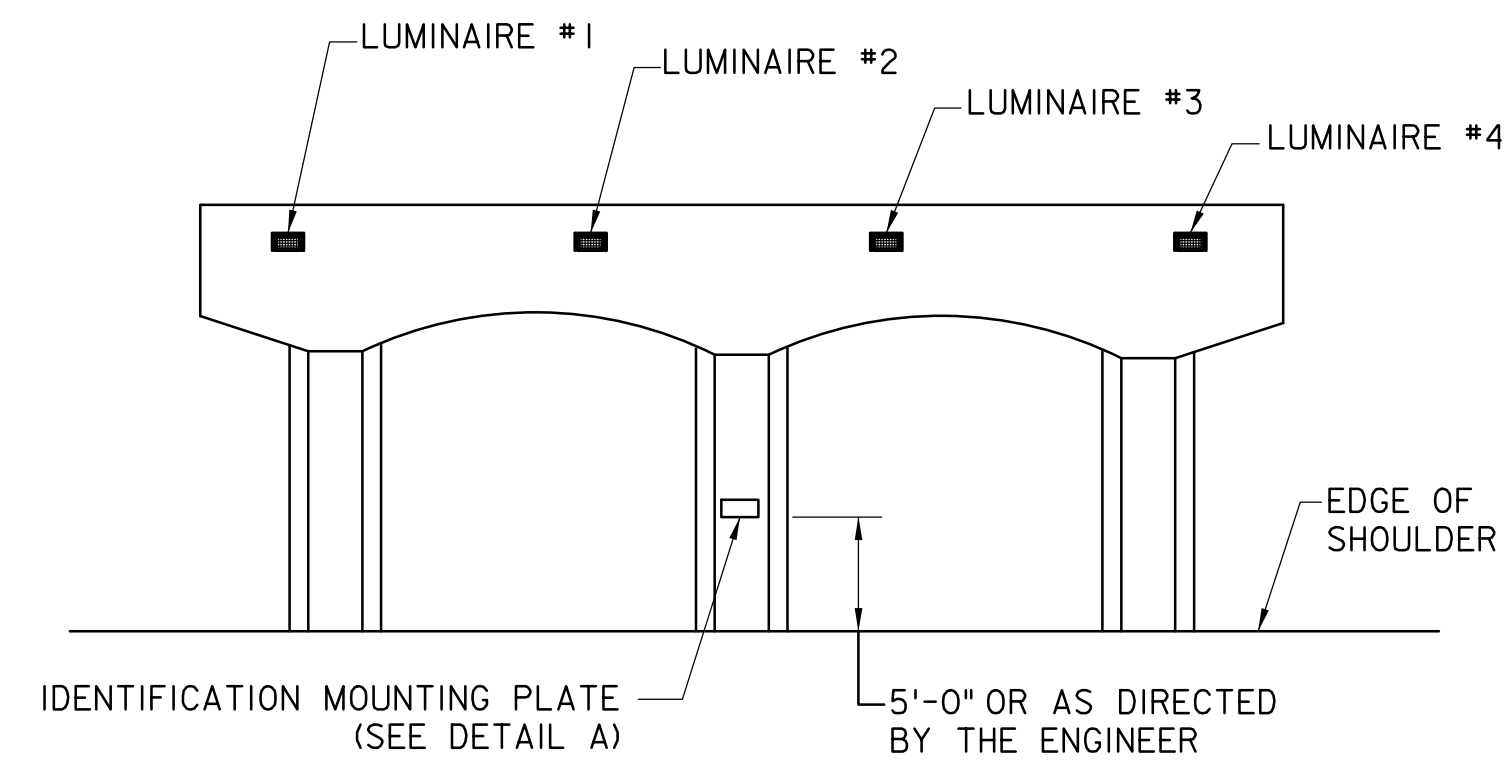
120 V	MULTIPLE SYSTEM
208 V	
240 V	
265 V	
277 V	

**LUMINAIRE TYPES**

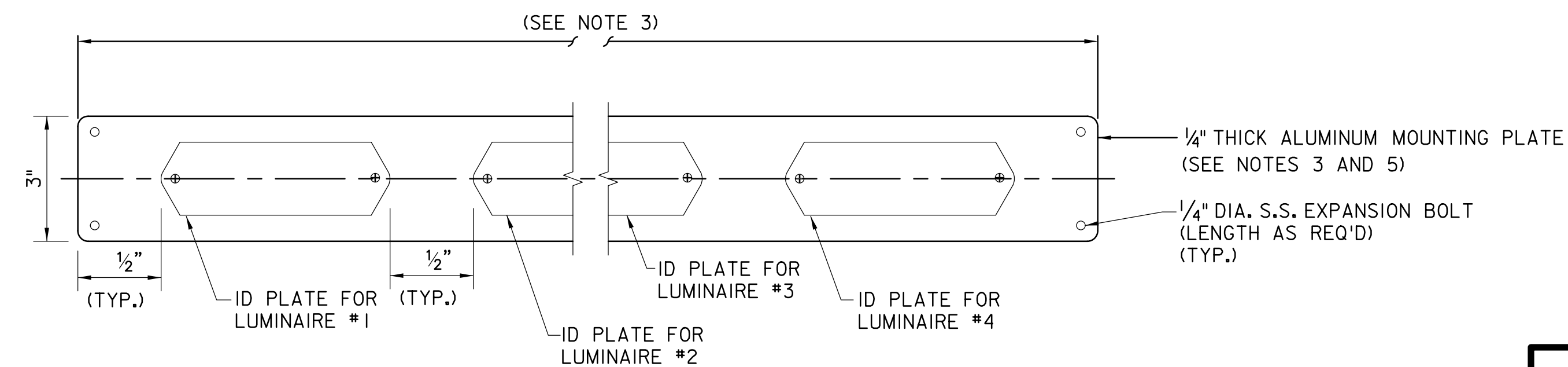
TAG ID	MOUNTING TYPE
LP1	- MG(*)
LP2	- MG(*)
LP3	- MG(*)
LP4	- MG(*)
LP5	- MG(*)
LP6	- MG(*)
LP7	- MG(*)
LP8	- MG(*)
LP9	- MG(*)
S1	- UNDER BRIDGE ON STRUCTURE
S2	- UNDER BRIDGE ON STRUCTURE
W1	- UNDER BRIDGE ON WALL, ABUTMENT, OR PIER
W2	- UNDER BRIDGE ON WALL, ABUTMENT, OR PIER
W3	- UNDER BRIDGE ON WALL, ABUTMENT, OR PIER
(*)	- TYPE MG, MG2, OR MG3, AS NOTED ON THE CONTRACT PLANS. TYPE MG2 AND MG3 WILL REQUIRE TWO (2) OR THREE (3) TAGS, RESPECTIVELY

**MULTIPLE LIGHTING SYSTEM**

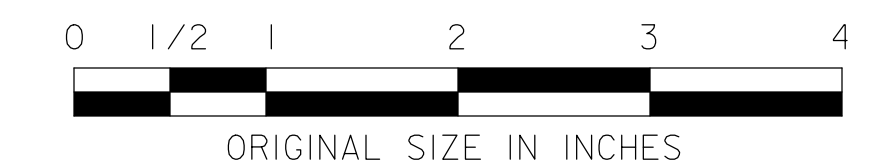
(PARKWAY AND TURNPIKE INSTALLATIONS)



**TYPICAL UNDERBRIDGE IDENTIFICATION TAG INSTALLATION**  
NOT TO SCALE



**DETAIL-A**  
NOT TO SCALE



NEW JERSEY TURNPIKE AUTHORITY  
**NEW JERSEY TURNPIKE  
GARDEN STATE PARKWAY**  
STANDARD DRAWINGS

**IDENTIFICATION TAG DETAILS**

OFFICE OF THE CHIEF ENGINEER  
NEW JERSEY TURNPIKE AUTHORITY  
WOODBRIIDGE, NEW JERSEY

STANDARD DRAWING

**E-08**

REV.	DESCRIPTION	DATE
0	REISSUED DRAWING	09/21