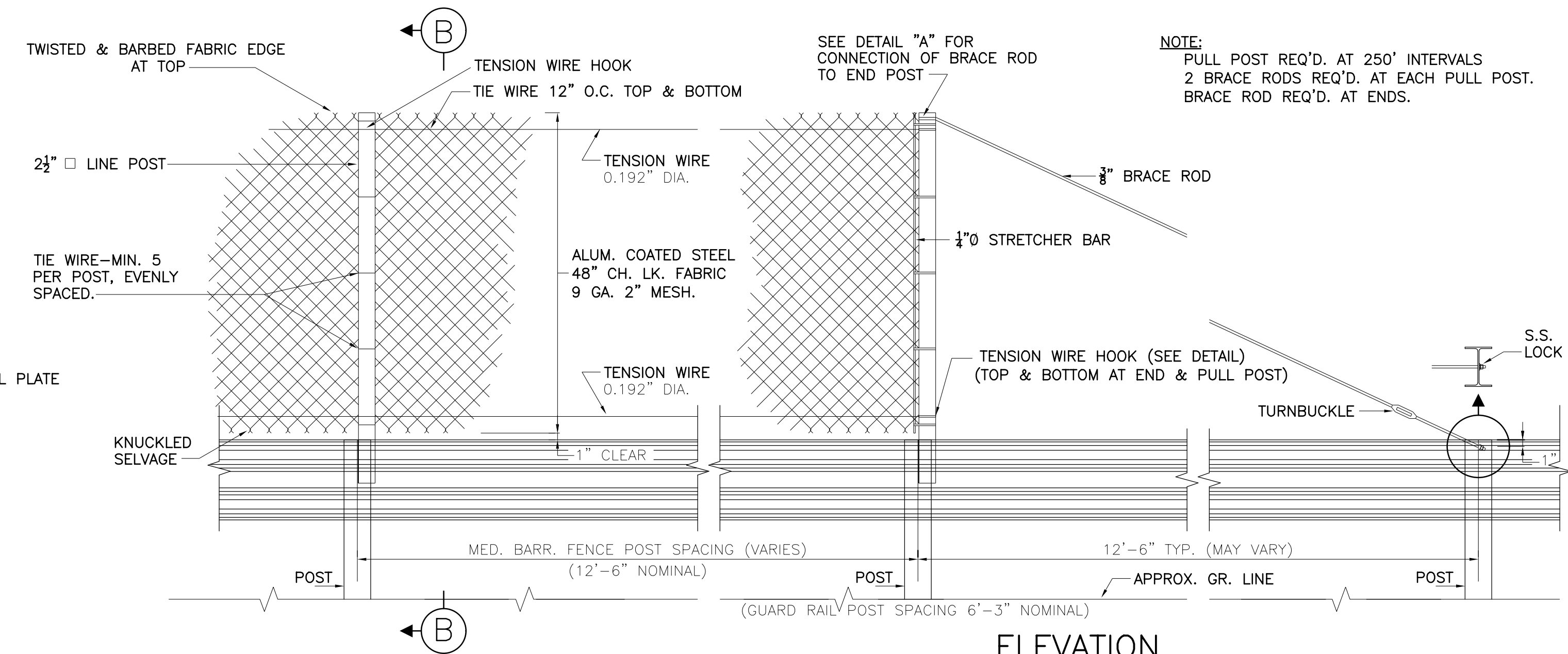
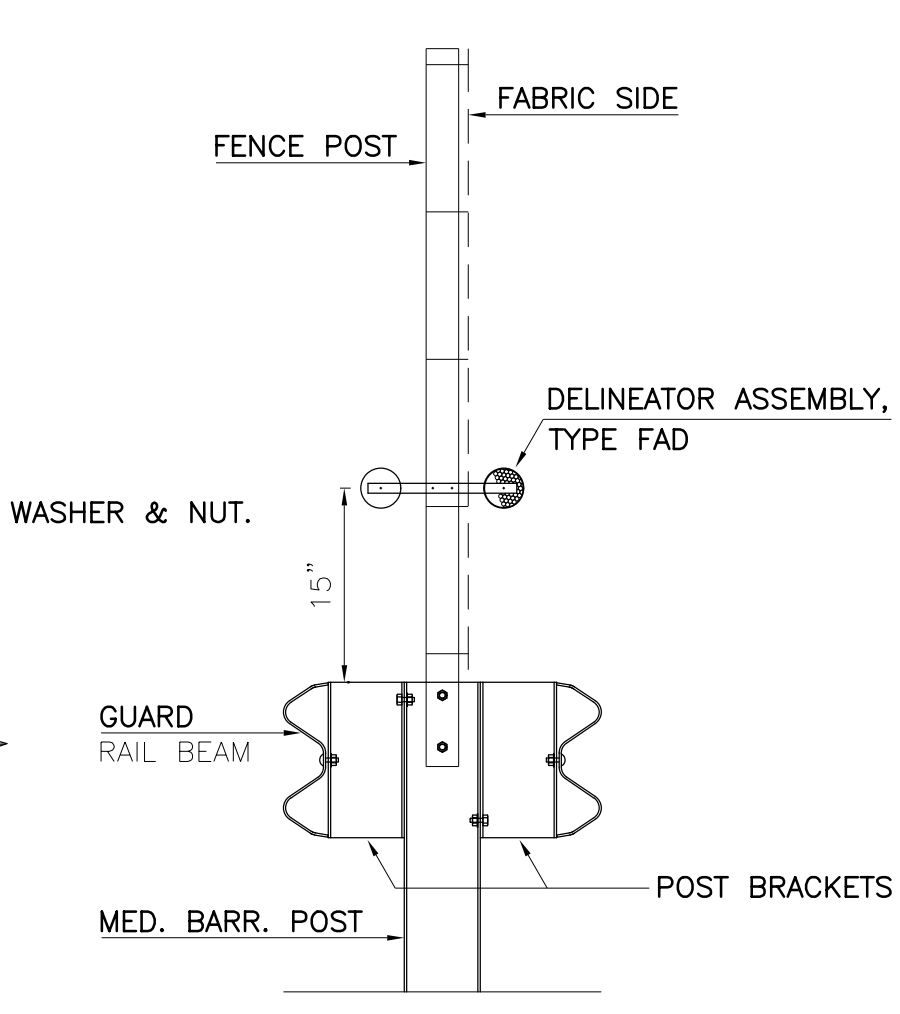


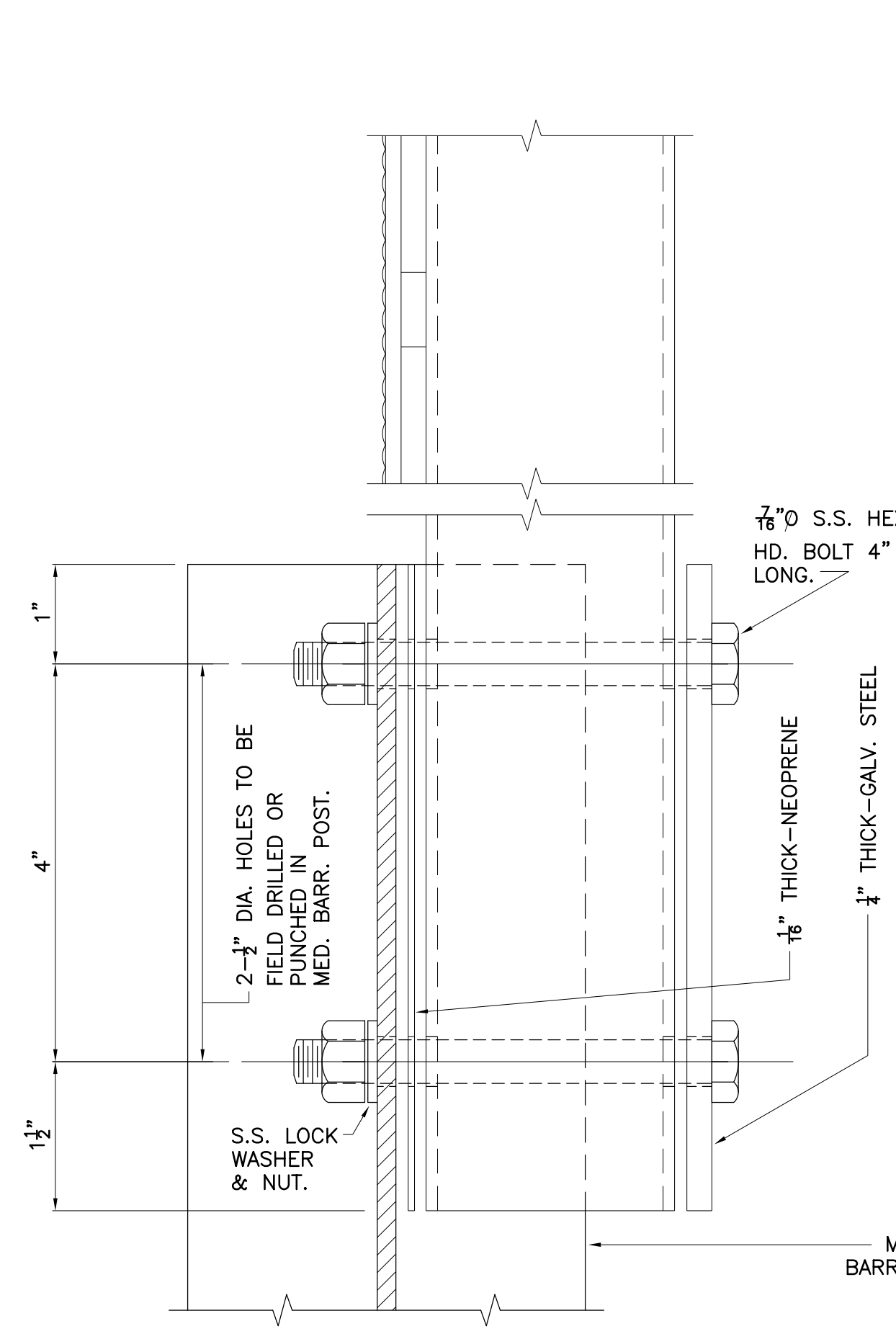
PLAN



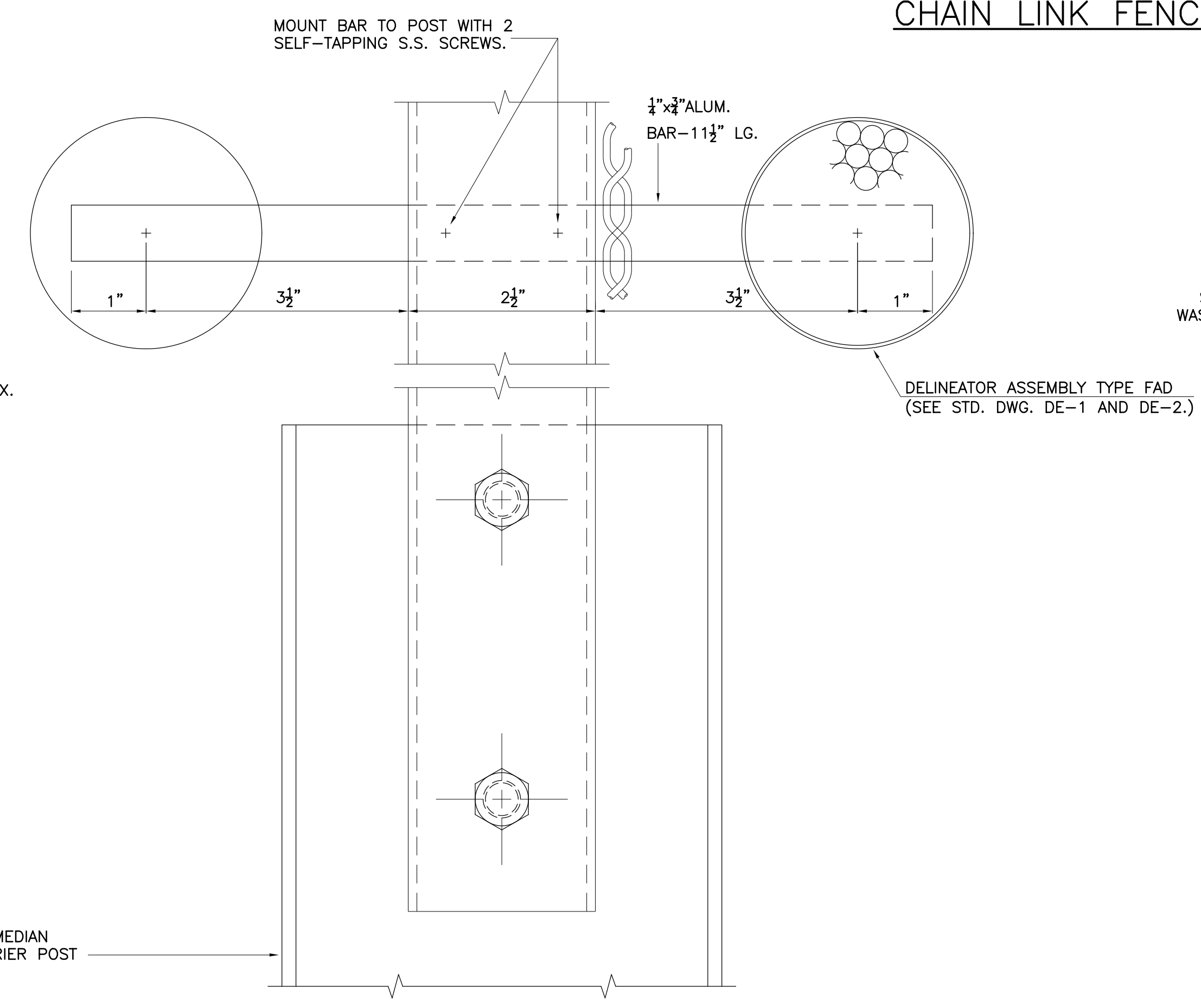
ELEVATION  
CHAIN LINK FENCE ON MEDIAN BARRIER



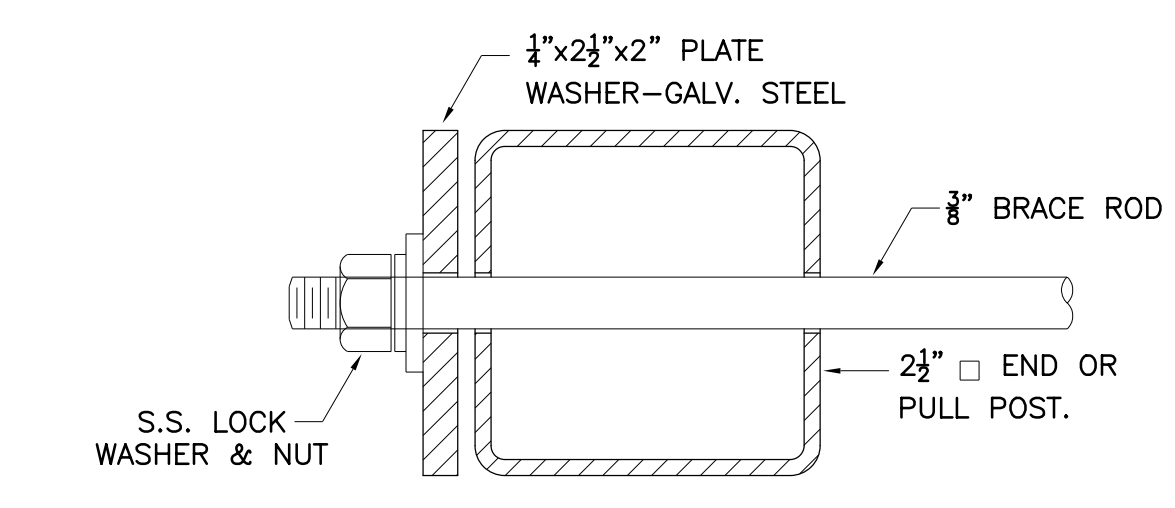
SECTION B-B



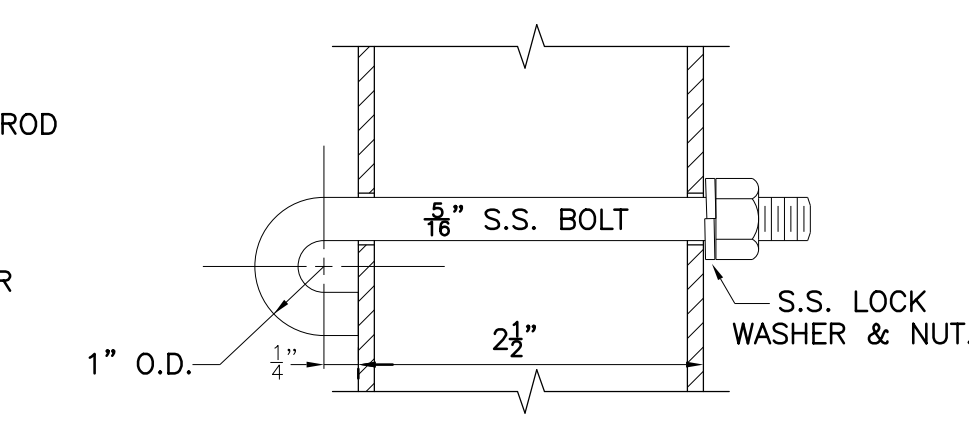
SECTION A-A



ELEVATION  
FENCE POST FAST'N'G. TO MED. BARR. POST



DETAIL "A"



DETAIL  
TENSION WIRE HOOK

NOTES:  
1. MEDIAN FENCING SHALL CONFORM TO SECTION 511.



THIS DRAWING FOR REFERENCE ONLY  
THIS DRAWING MAY ONLY BE USED FOR REPAIR OF EXISTING AUTHORITY MEDIAN FENCING. NEW INSTALLATION OR COMPLETE REPLACEMENT SHALL BE PROHIBITED.

REV.	DESCRIPTION	DATE
1	NOTE ADDED	07/21
0	REISSUED: CONFORMS TO 2004 SPECS	04/05

NEW JERSEY TURNPIKE AUTHORITY  
**NEW JERSEY TURNPIKE  
GARDEN STATE PARKWAY**  
STANDARD DRAWINGS

**MEDIAN FENCING DETAILS**

OFFICE OF THE CHIEF ENGINEER  
NEW JERSEY TURNPIKE AUTHORITY  
WOODBRIIDGE, NEW JERSEY

STANDARD DRAWING  
**MF-1**