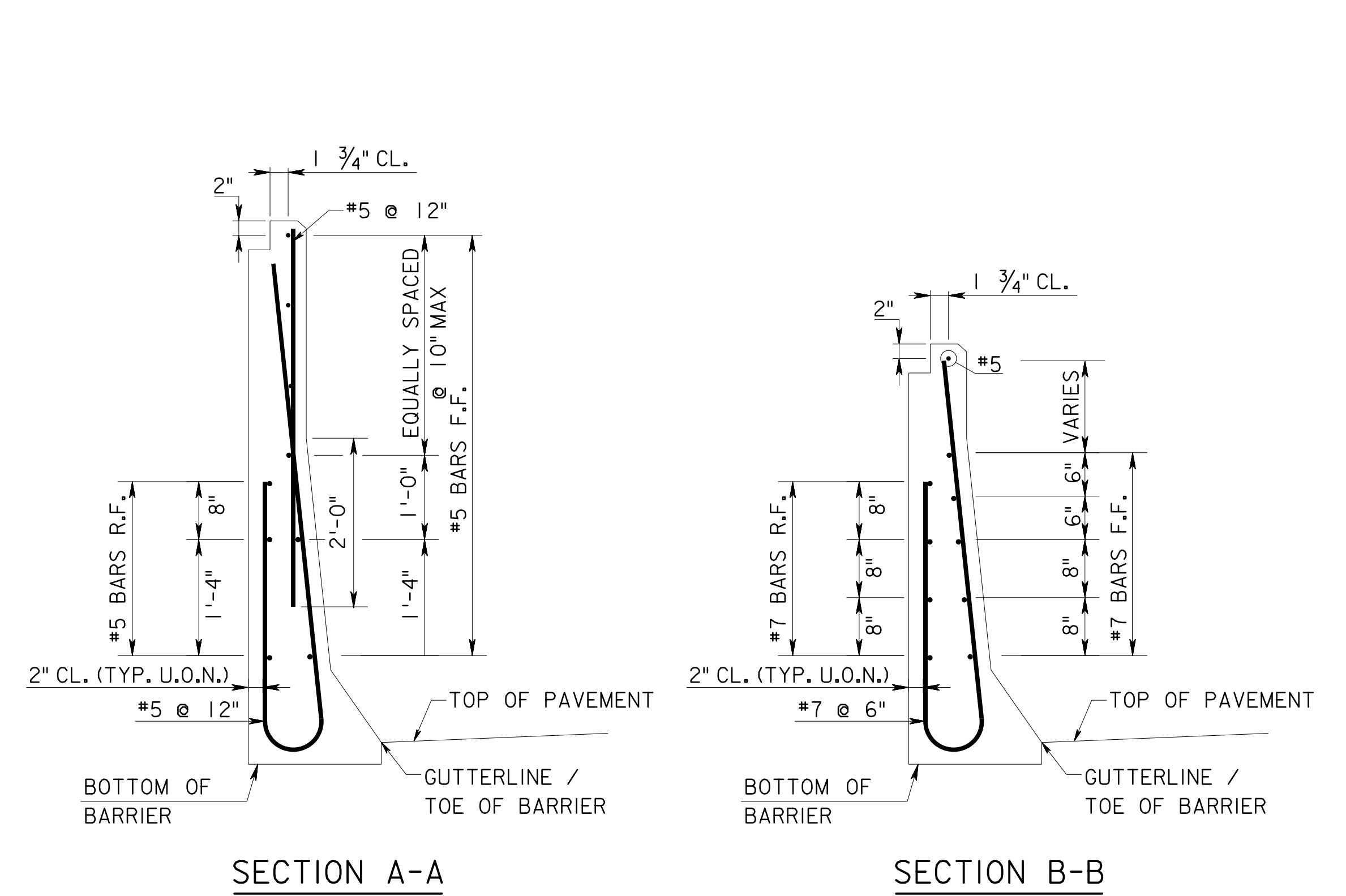
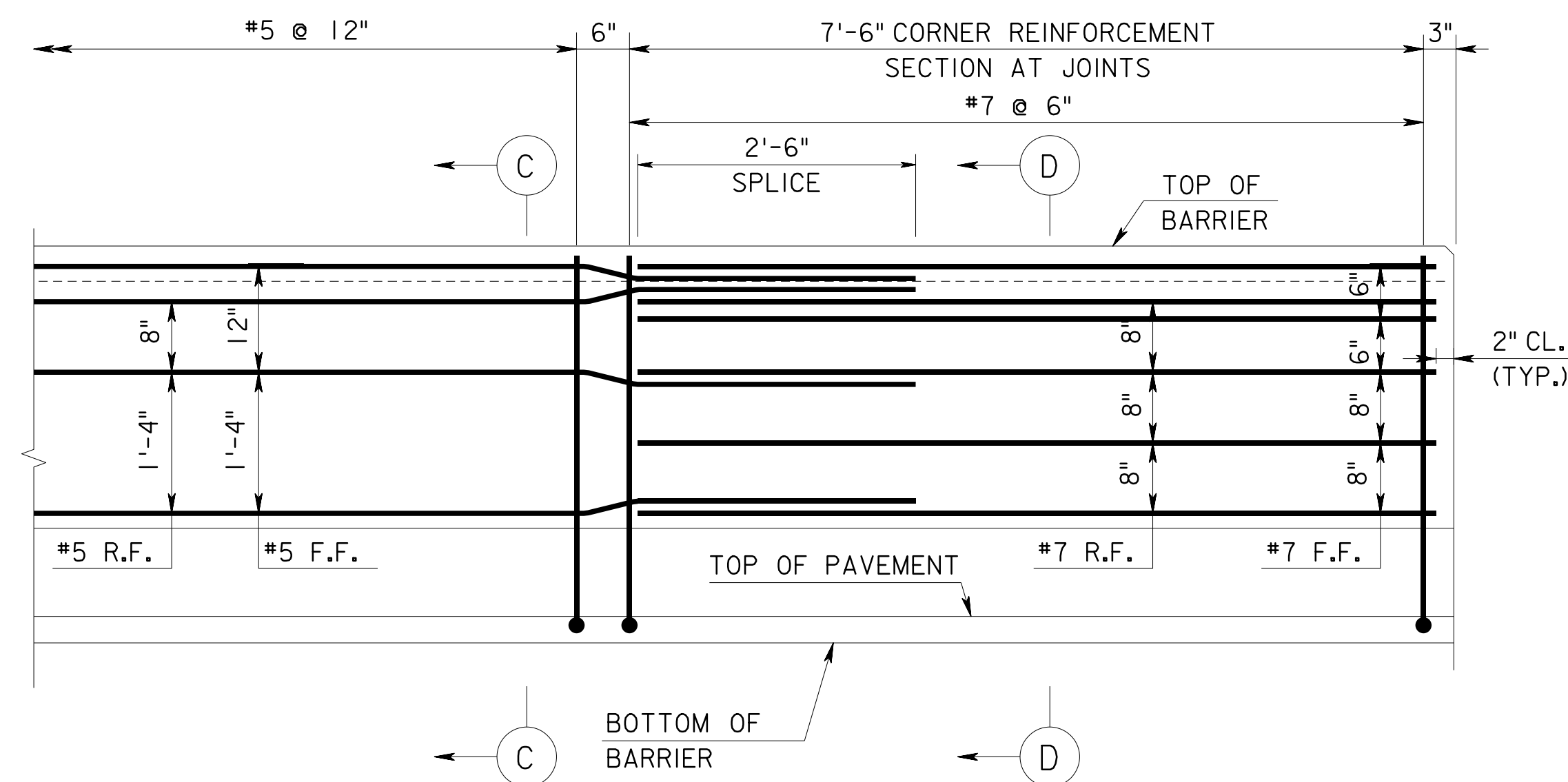


MODIFIED CONCRETE MEDIAN BARRIER, PROTECTION - ELEVATION
N.T.S.

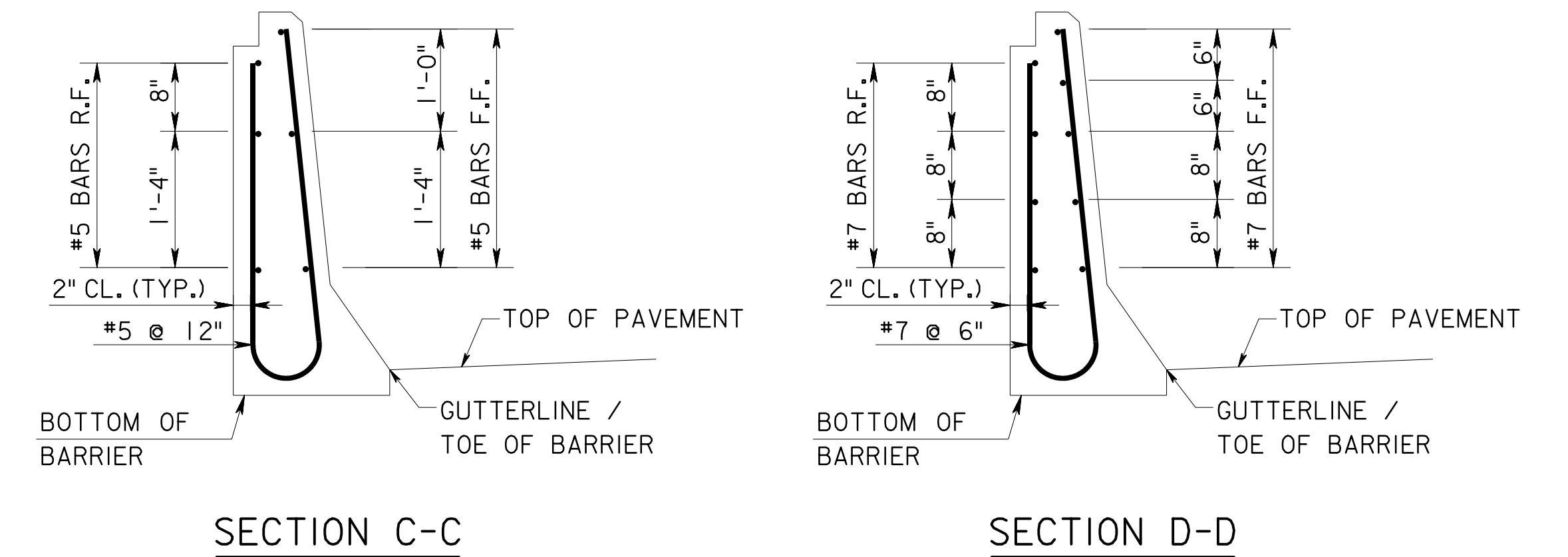


SECTION A-A

SECTION B-B

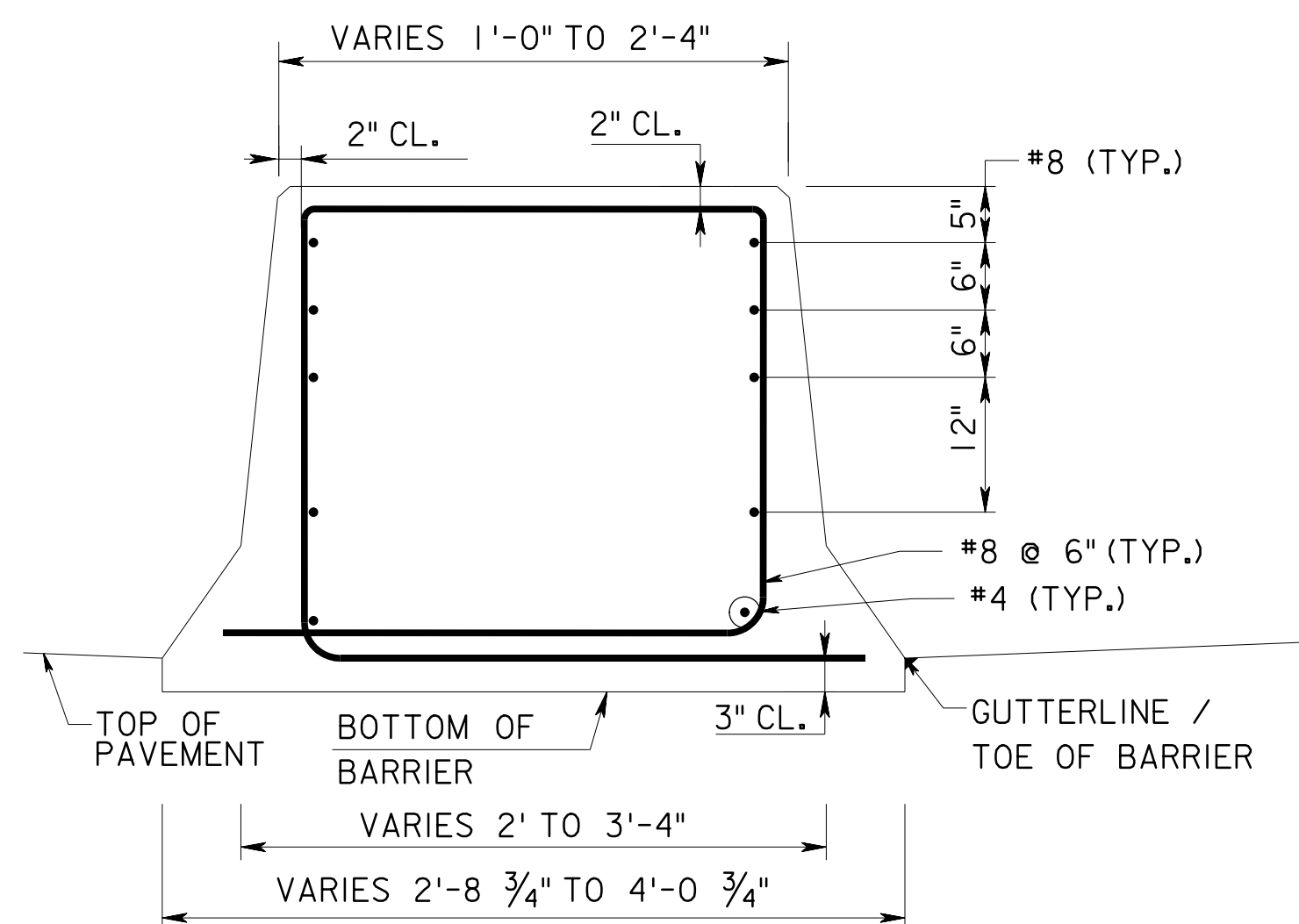


CONCRETE MEDIAN BARRIER, PROTECTION - ELEVATION
N.T.S.



SECTION C-C

SECTION D-D



MEDIAN BARRIER TRANSITION - SECTION
N.T.S.

SEE SECTION A-A ON MB-2

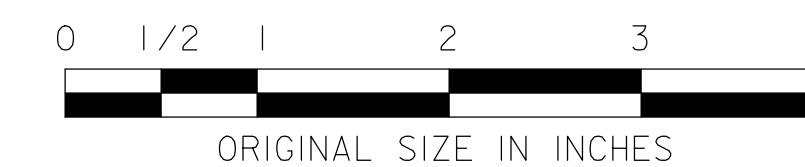
NOTES:

- SEE MB-2 AND MB-3 FOR BARRIER DETAILS.
- CORNER REINFORCEMENT IS INDEPENDENT OF VERTICAL TRANSITION.

LEGEND:

- F.F. FRONT FACE
- R.F. REAR FACE
- U.O.N. UNLESS OTHERWISE NOTED

MASH TL-5



REV.	DESCRIPTION	DATE
0	ORIGINAL DRAWING	07/21

NEW JERSEY TURNPIKE AUTHORITY
**NEW JERSEY TURNPIKE
GARDEN STATE PARKWAY**

STANDARD DRAWINGS

**CONCRETE MEDIAN BARRIER, PROTECTION
REINFORCEMENT DETAILS**

OFFICE OF THE CHIEF ENGINEER
NEW JERSEY TURNPIKE AUTHORITY
WOODBRIIDGE, NEW JERSEY

STANDARD DRAWING

MB-4