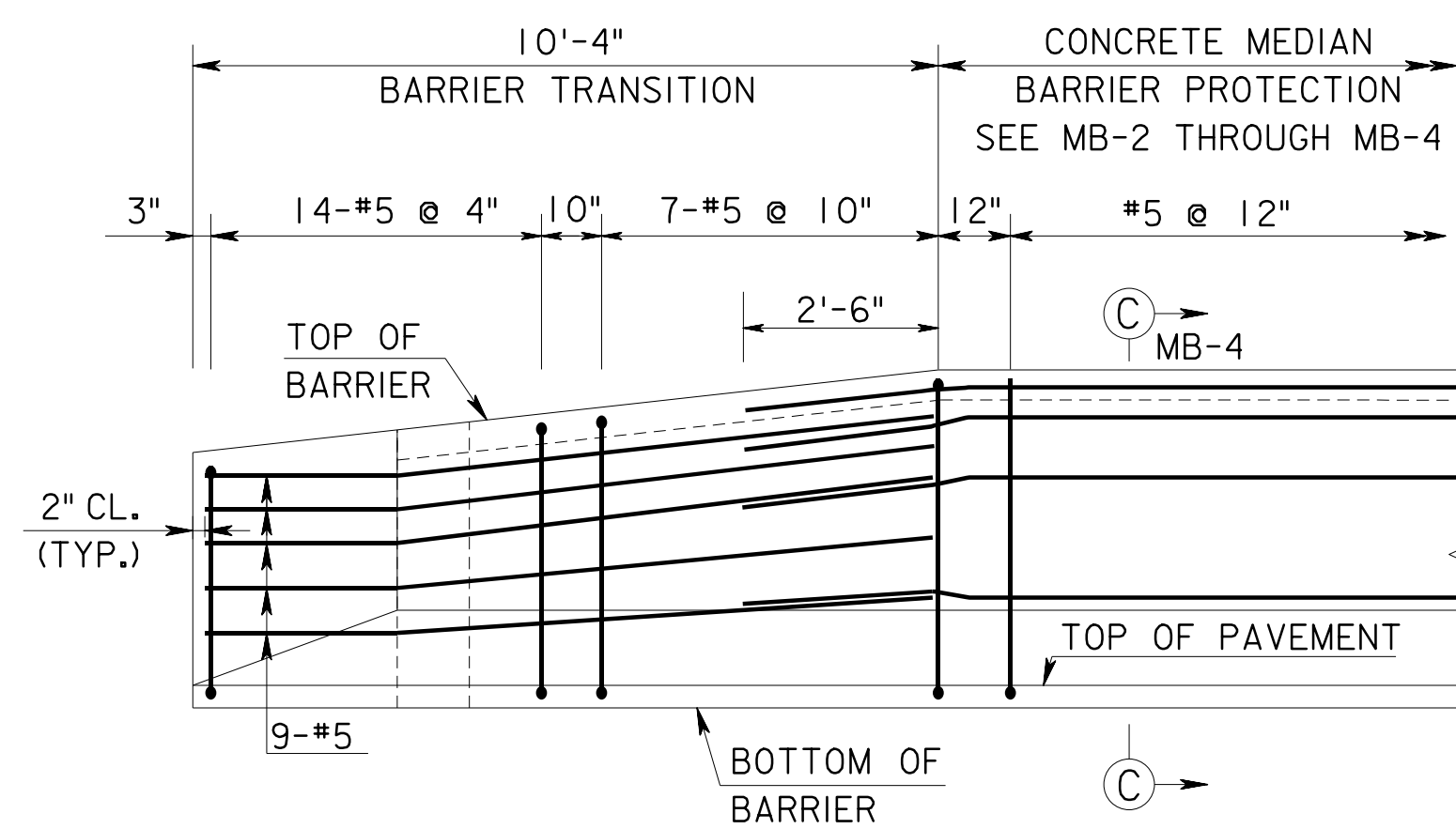
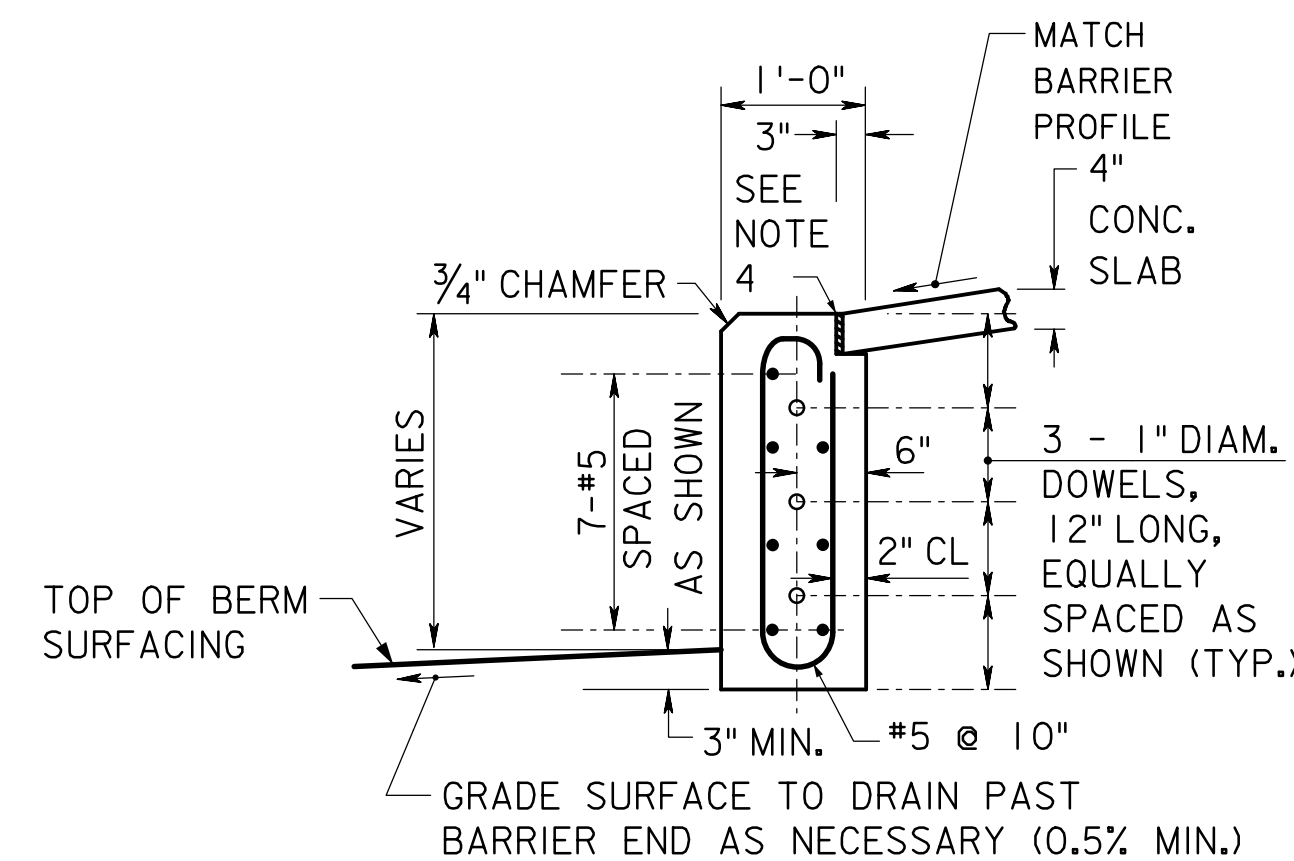


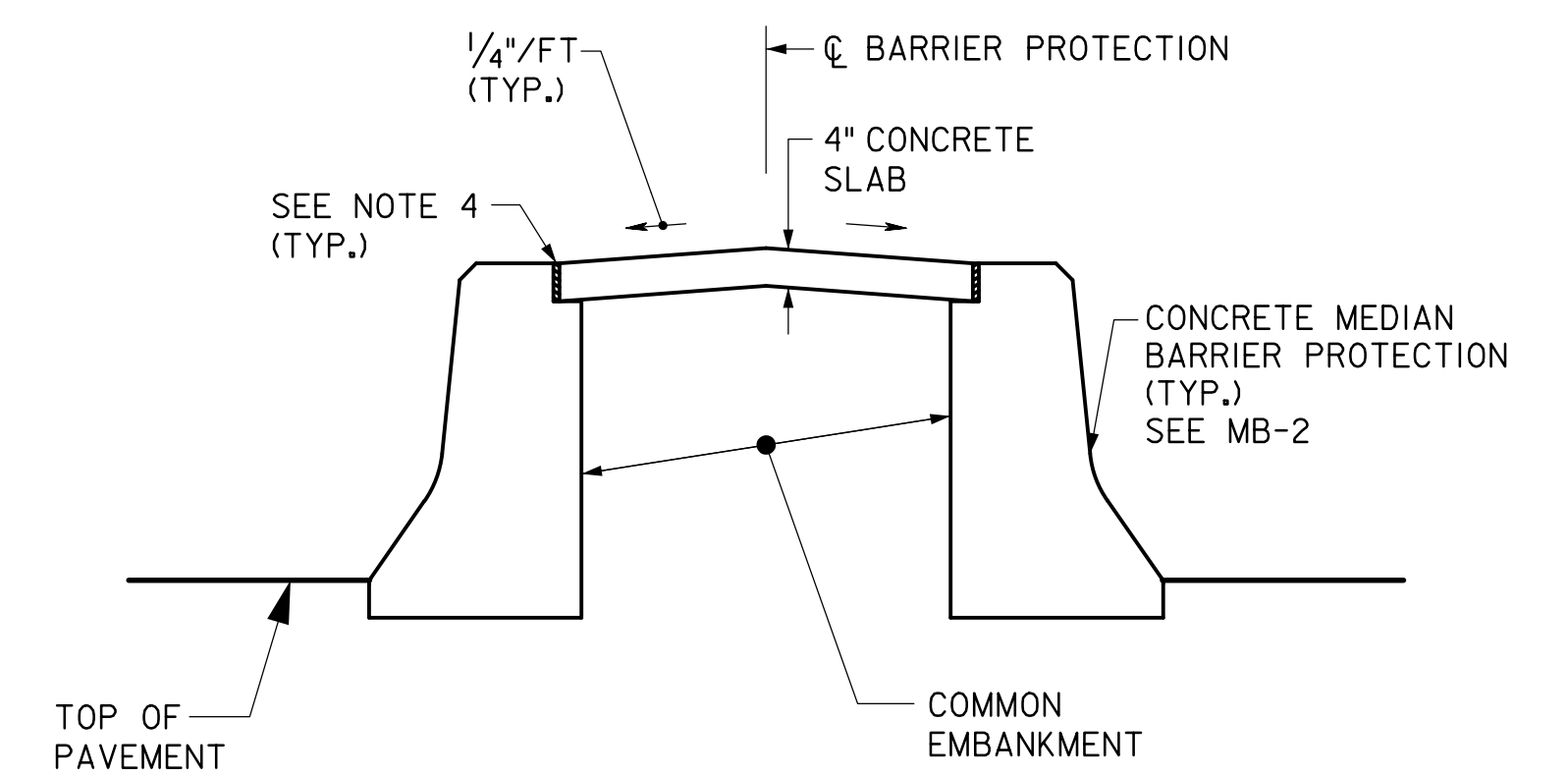
PLAN
N.T.S.



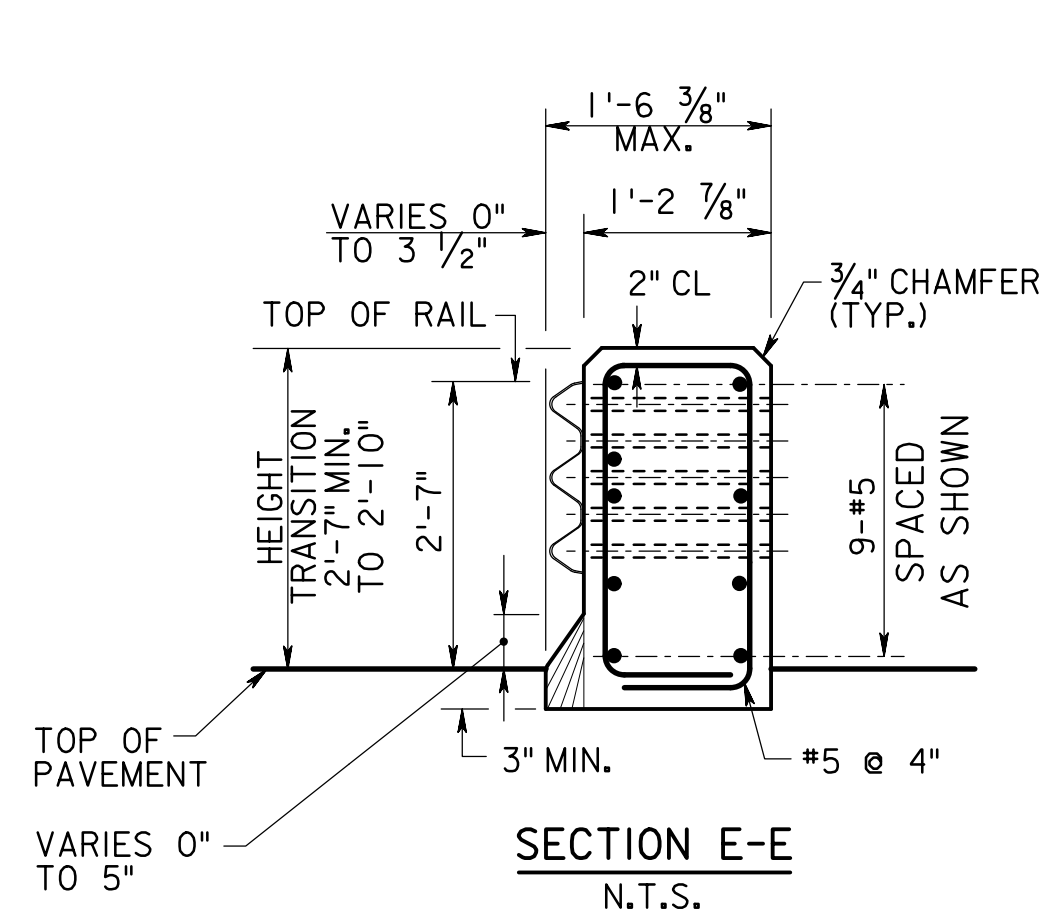
ELEVATION
N.T.S.
SEE NOTE 5



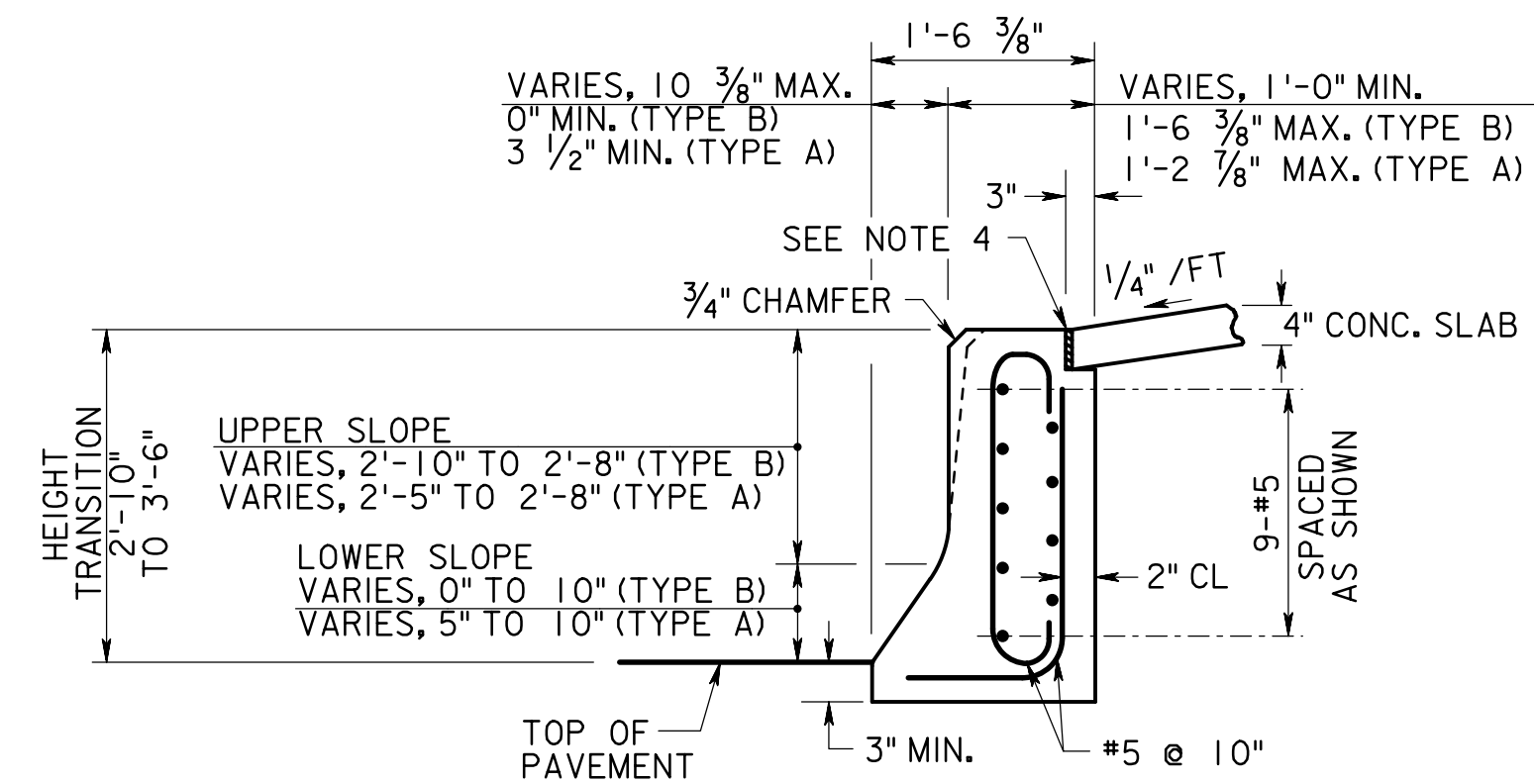
SECTION H-H
N.T.S.
END WALL
(ON GRADE)



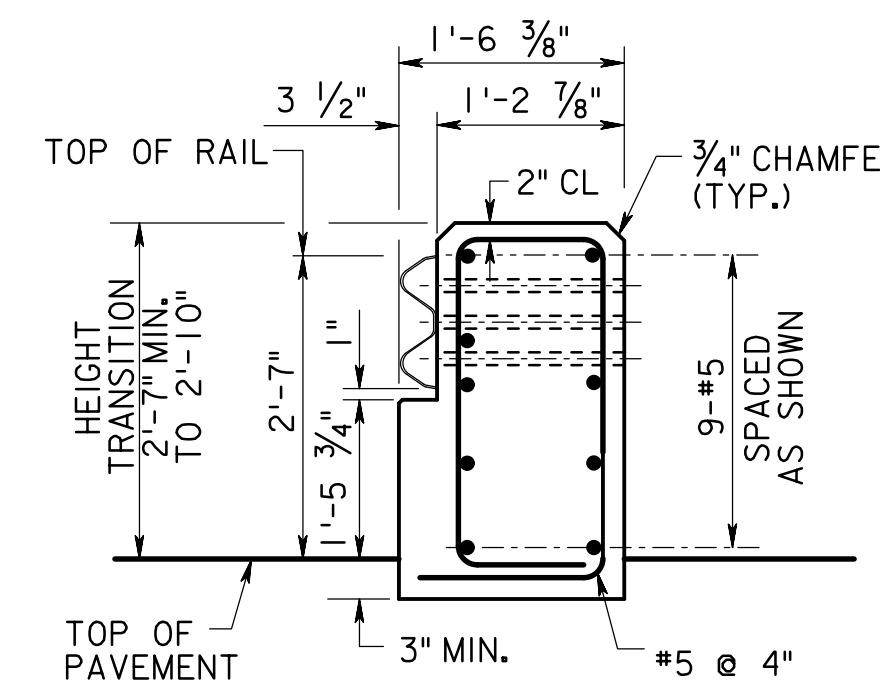
SECTION X-X
N.T.S.



SECTION E-E
N.T.S.



SECTION F-F
N.T.S.

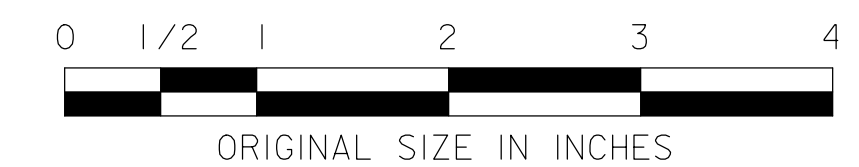


SECTION G-G
N.T.S.

NOTES:

- REFER TO STANDARD DRAWING GR-13 FOR PARAPET CONNECTION DETAILS. REFER TO GR-17 FOR ADDITIONAL NOTES.
- IN MEDIAN WHERE DUAL FACE BEAM GUIDE RAIL IS PRESENT, TRANSITION FROM THE PARAPET CONNECTIONS WITH SINGLE FACE BEAM GUIDE RAIL TO MEET THE DUAL FACE BEAM GUIDE RAIL. THE FLARE RATE OF THE TRANSITIONS ARE TO BE AS SHOWN ON PLANS. FLARE TO BEGIN AT LEAST ONE FULL BEAM GUIDE RAIL ELEMENT SECTION OUTSIDE THE PARAPET CONNECTION PAY LIMITS.
- CONCRETE BARRIER TRANSITION LENGTHS SHALL BE PAID UNDER CONCRETE MEDIAN BARRIER, PROTECTION.
- 3 1/2" BITUMINOUS PREMOLDED JOINT FILLER TOPPED WITH 1/2" DEEP HOT POURED JOINT SEALER BETWEEN BARRIER AND CONCRETE SLAB AND BETWEEN BARRIER AND END WALL.
- ELEVATION SHOWN FOR BARRIER TRANSITION REINFORCEMENT DETAIL. SEE GR-13 FOR GUIDE RAIL PARAPET CONNECTION ELEVATIONS.

MASH TL-3



NEW JERSEY TURNPIKE AUTHORITY
**NEW JERSEY TURNPIKE
GARDEN STATE PARKWAY**
STANDARD DRAWINGS

BEAM GUIDE RAIL ATTACHMENTS - 3

OFFICE OF THE CHIEF ENGINEER
NEW JERSEY TURNPIKE AUTHORITY
WOODBRIIDGE, NEW JERSEY

STANDARD DRAWING

GR-15

GUIDE RAIL CONNECTION TO CONCRETE MEDIAN BARRIER, PROTECTION

0	ORIGINAL DRAWING	07/21
REV.	DESCRIPTION	DATE