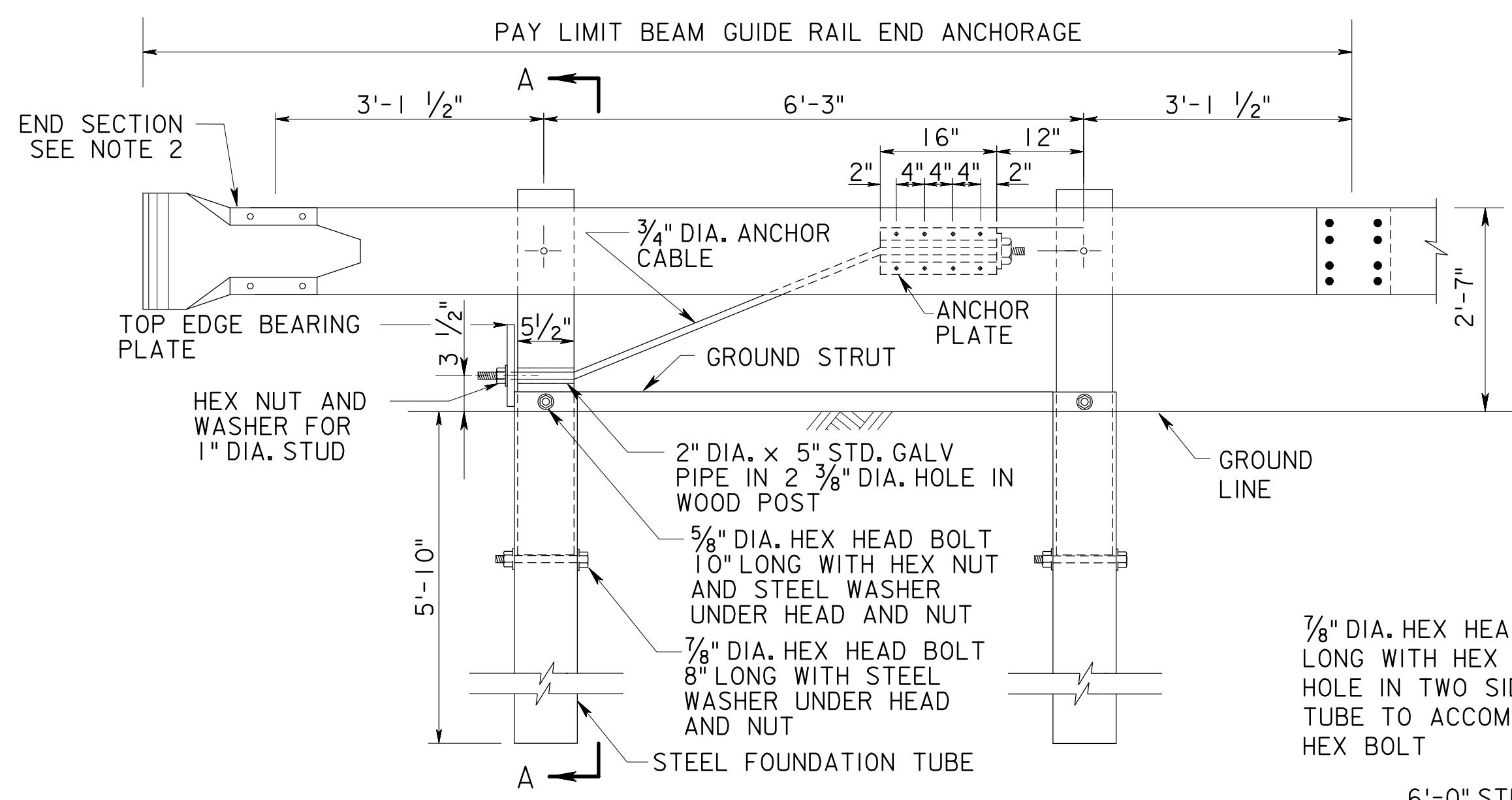
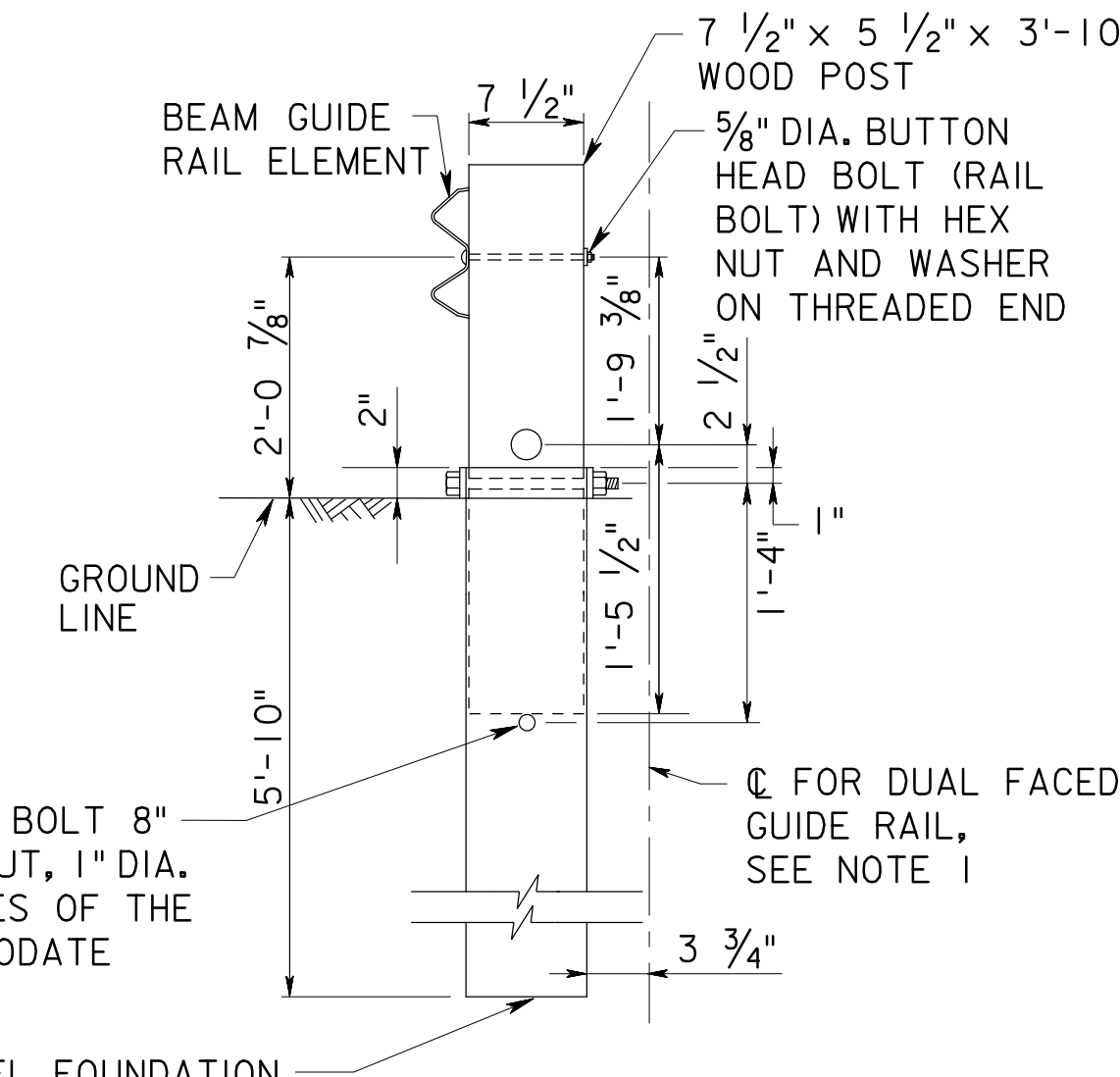


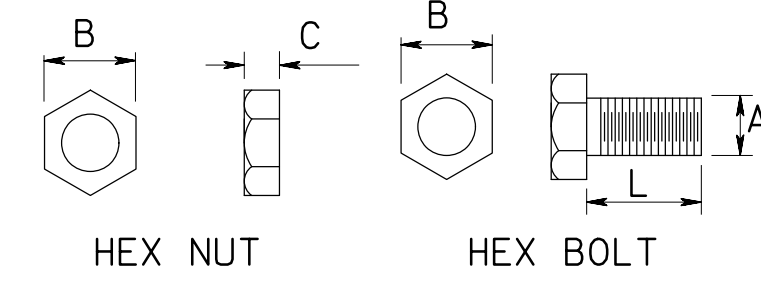
GROUND STRUT



BEARING PLATE

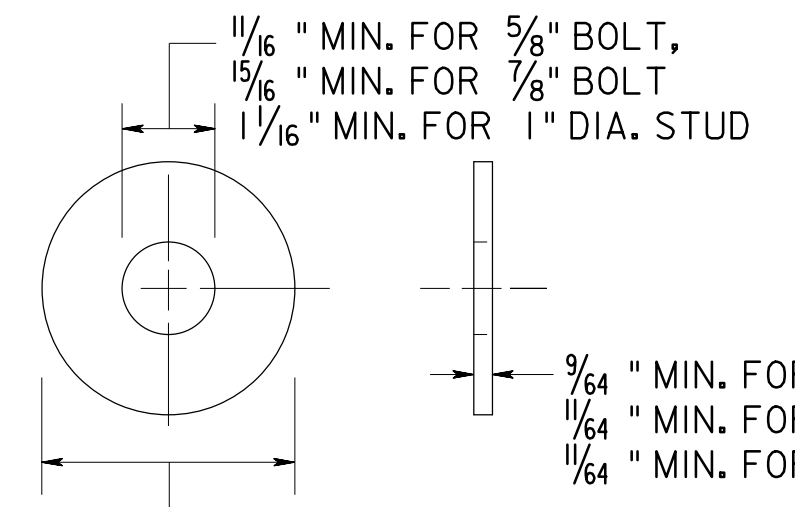
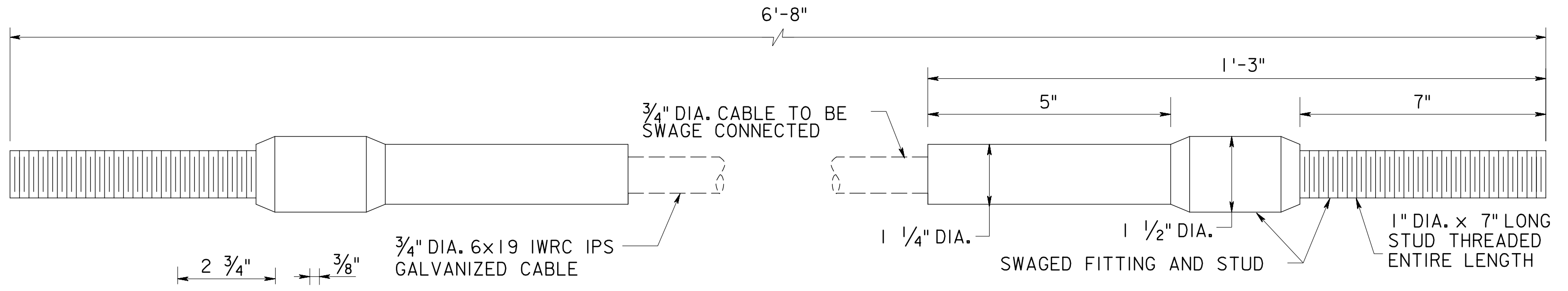


RAIL HEIGHT TRANSITION FOR GUIDE RAIL ANCHORAGE WITH 2" CONCRETE CURB

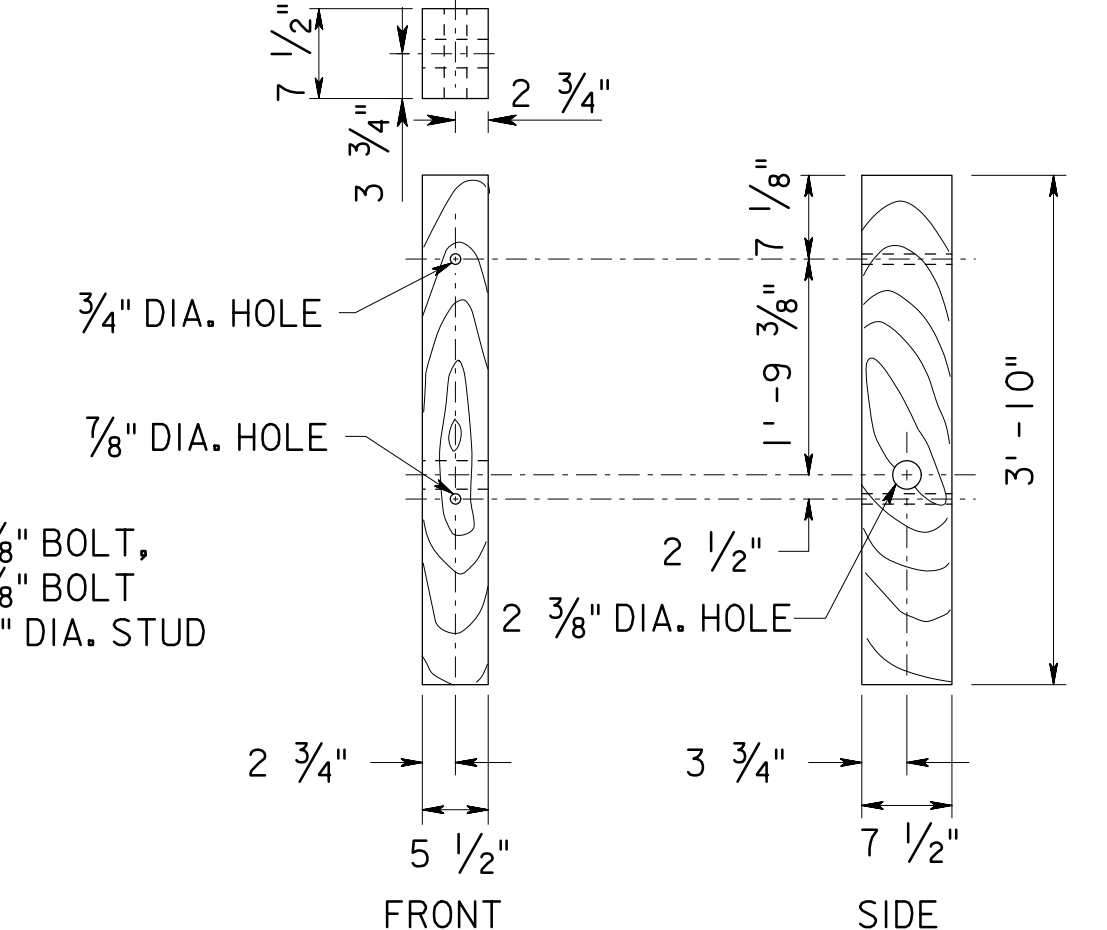


BOLT SIZE	THREAD PITCH	A	B	C	L
5/8"	5/8-11	5/8"	15/16"	3/4"	1 1/2", 10"
7/8"	7/8-9	7/8"	1 1/16"	3/4"	8"

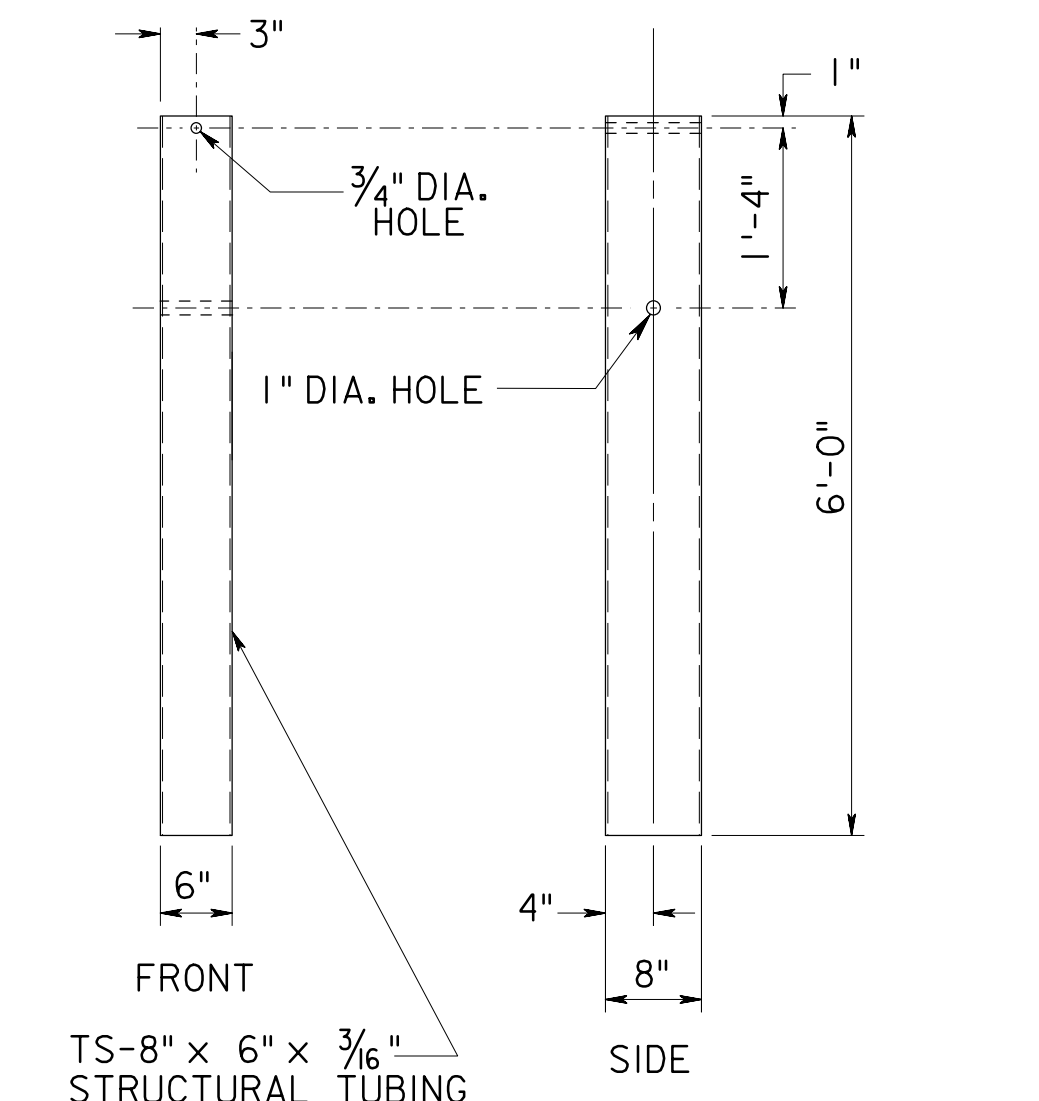
HEX NUT AND BOLT



STEEL WASHER

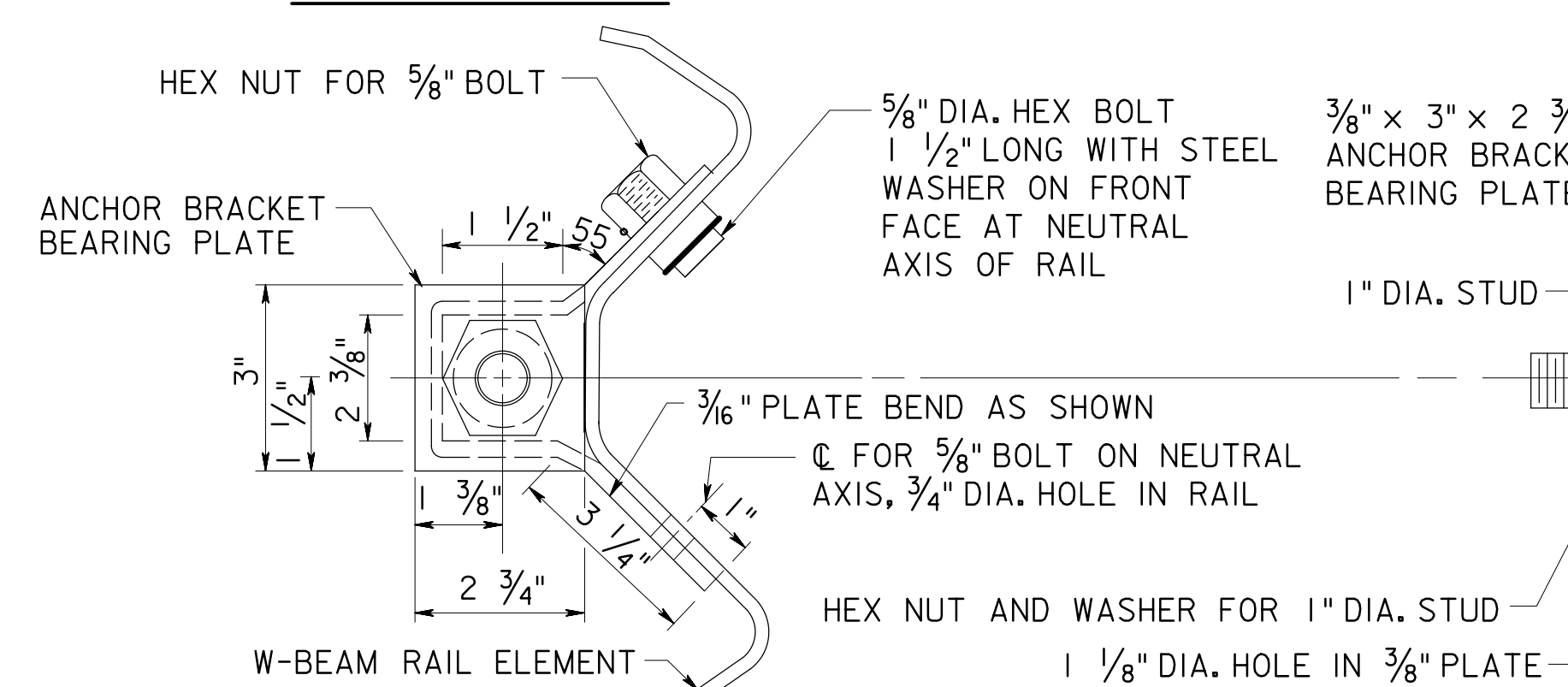


WOOD POST

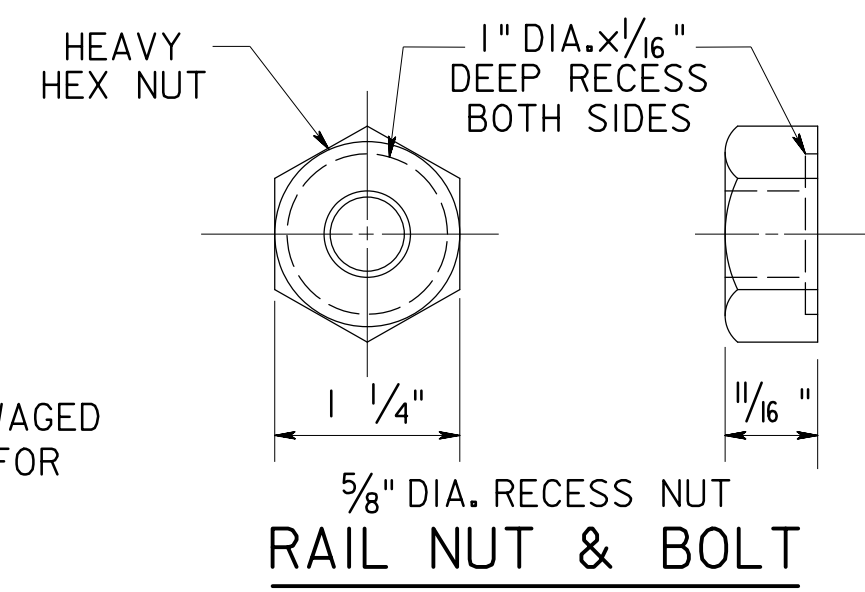


STEEL FOUNDATION TUBE

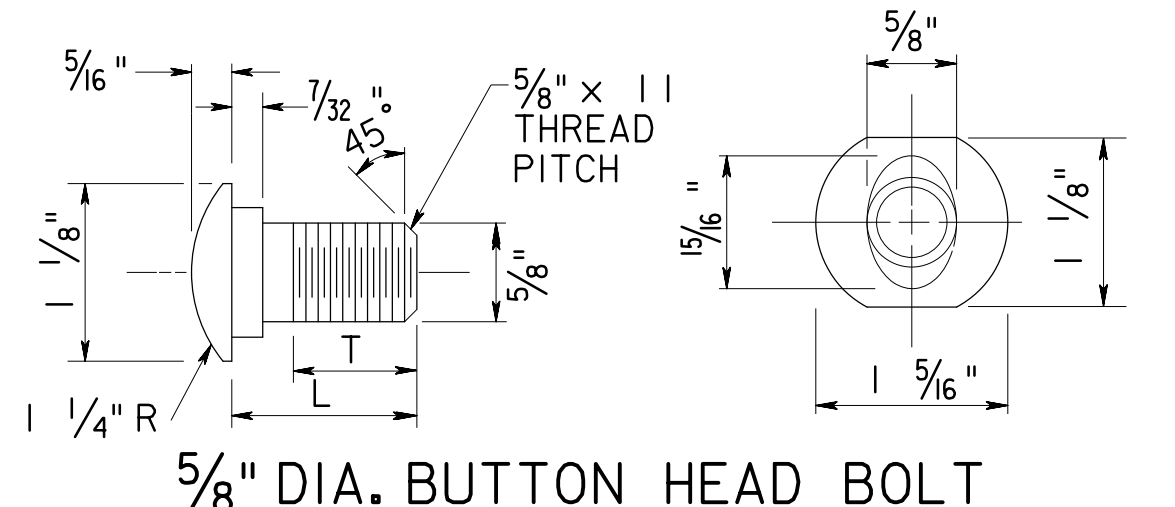
ANCHOR BRACKET BEARING PLATE



ANCHOR PLATE



RAIL NUT & BOLT

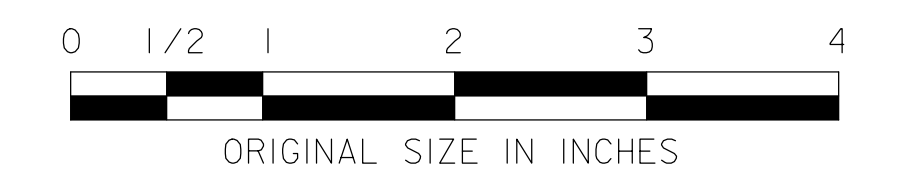


5/8" DIA. BUTTON HEAD BOLT

TYPE	L	MIN. THREAD LENGTH (T)
RAIL	10"	4"
SPLICE	1 1/4"	FULL LENGTH THREAD

- NOTES:**
- FOR BEAM GUIDE RAIL, DUAL FACED, INSTALL SEPARATE ANCHORAGE UNITS FOR EACH FACE OF RAIL, MIRRORED ABOUT THE CENTERLINE OF THE DUAL FACED GUIDE RAIL POSTS. ALIGN FRONT FACE OF ANCHORAGE RAIL ELEMENTS WITH RAIL ELEMENTS OF BEAM GUIDE RAIL, DUAL FACE.
 - FOR END SECTION DETAILS, SEE GR-1 FOR BEAM GUIDE RAIL AND GR-2 FOR BEAM GUIDE RAIL, DUAL FACED.
 - LIP CURB SHALL NOT BE PRESENT WITHIN THE LIMITS OF THE GUIDE RAIL ANCHORAGE.

MASH TL-3



NEW JERSEY TURNPIKE AUTHORITY
NEW JERSEY TURNPIKE GARDEN STATE PARKWAY
 STANDARD DRAWINGS

BEAM GUIDE RAIL END ANCHORAGE

OFFICE OF THE CHIEF ENGINEER
 NEW JERSEY TURNPIKE AUTHORITY
 WOODBRIDGE, NEW JERSEY

STANDARD DRAWING

GR-4

REV.	DESCRIPTION	DATE
0	ORIGINAL DRAWING	07/21