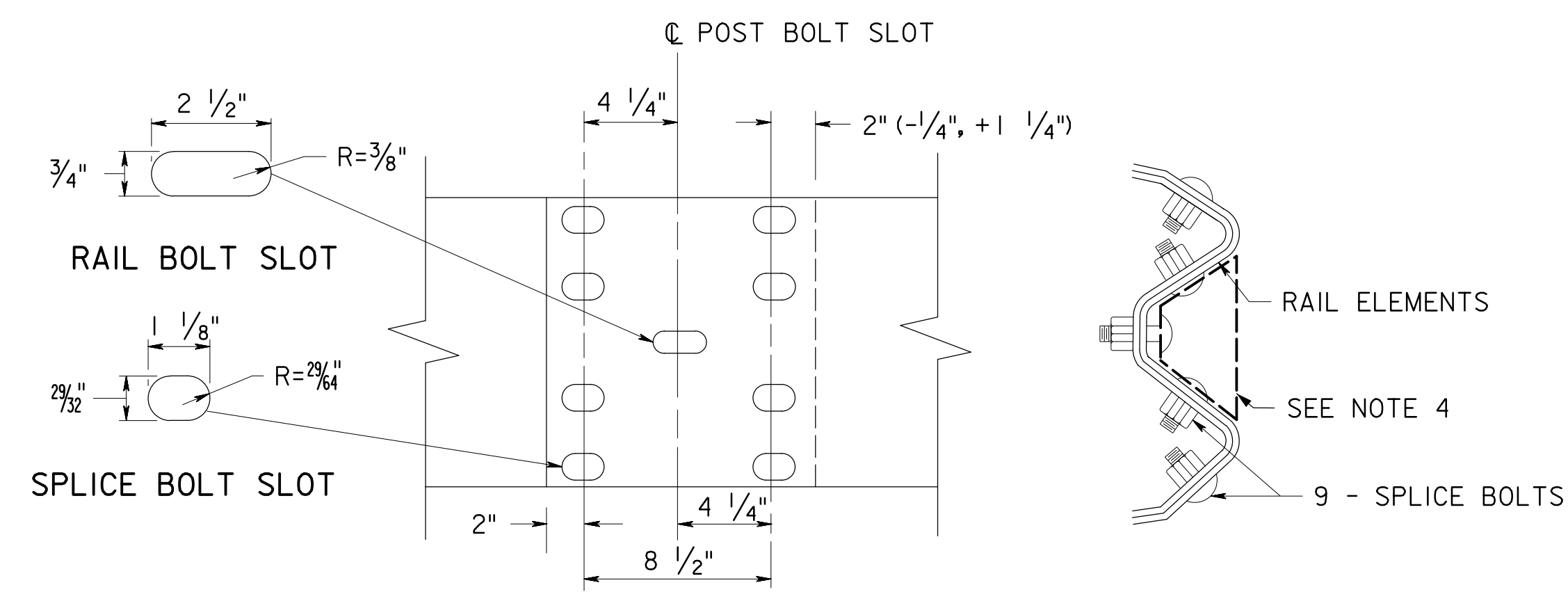
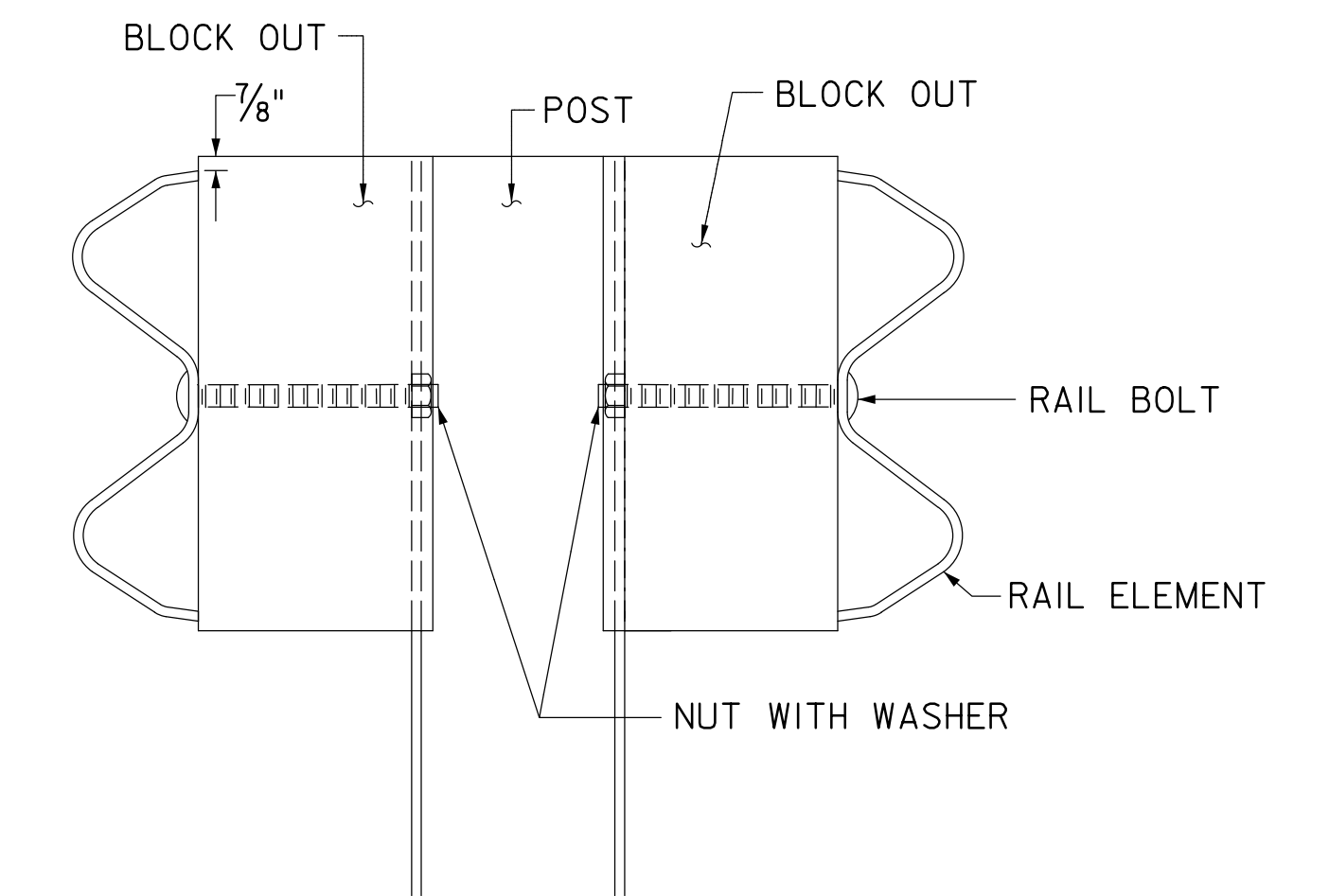


RAIL ELEMENT TO BE SUPPLIED IN LENGTHS OF 13'-6 1/2" OR 26'-0 1/2"

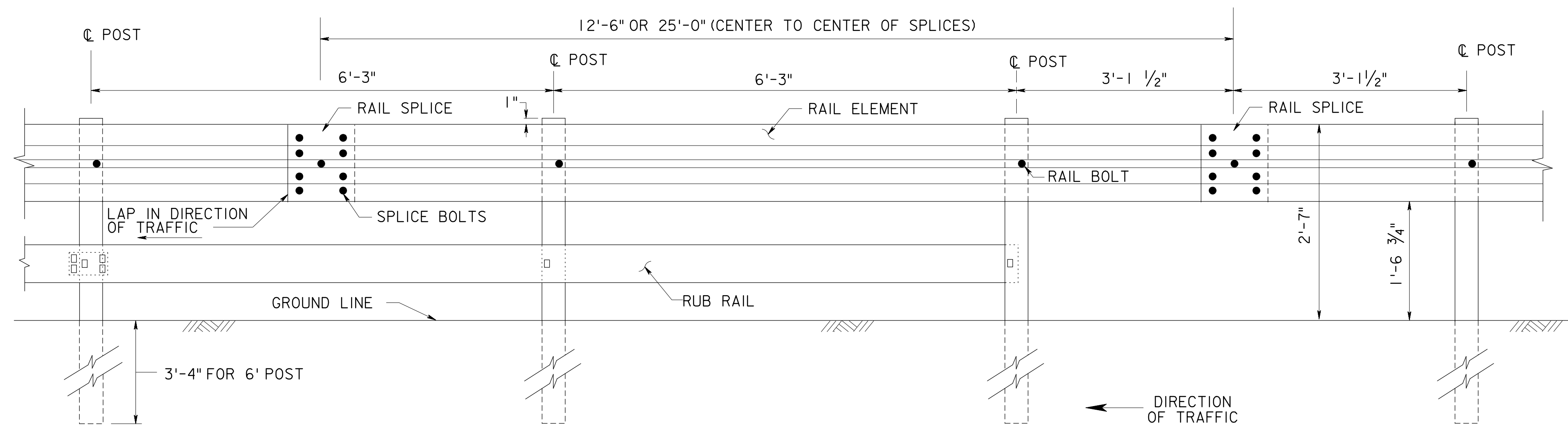
W-BEAM RAIL ELEMENT



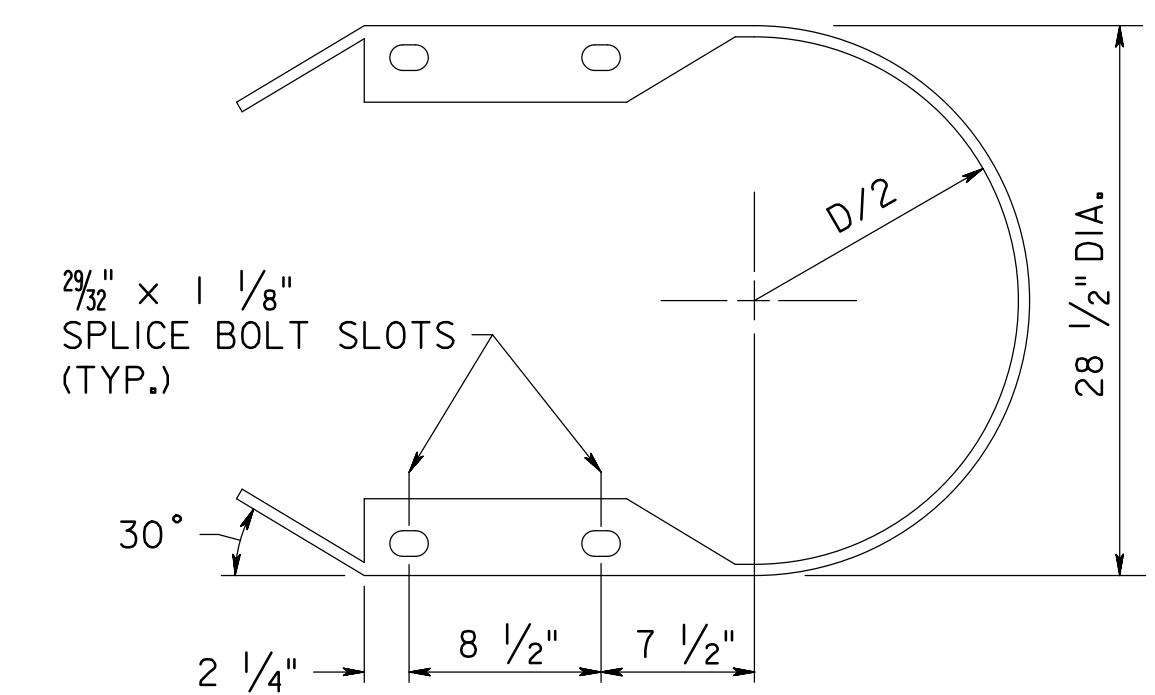
RAIL SPLICE



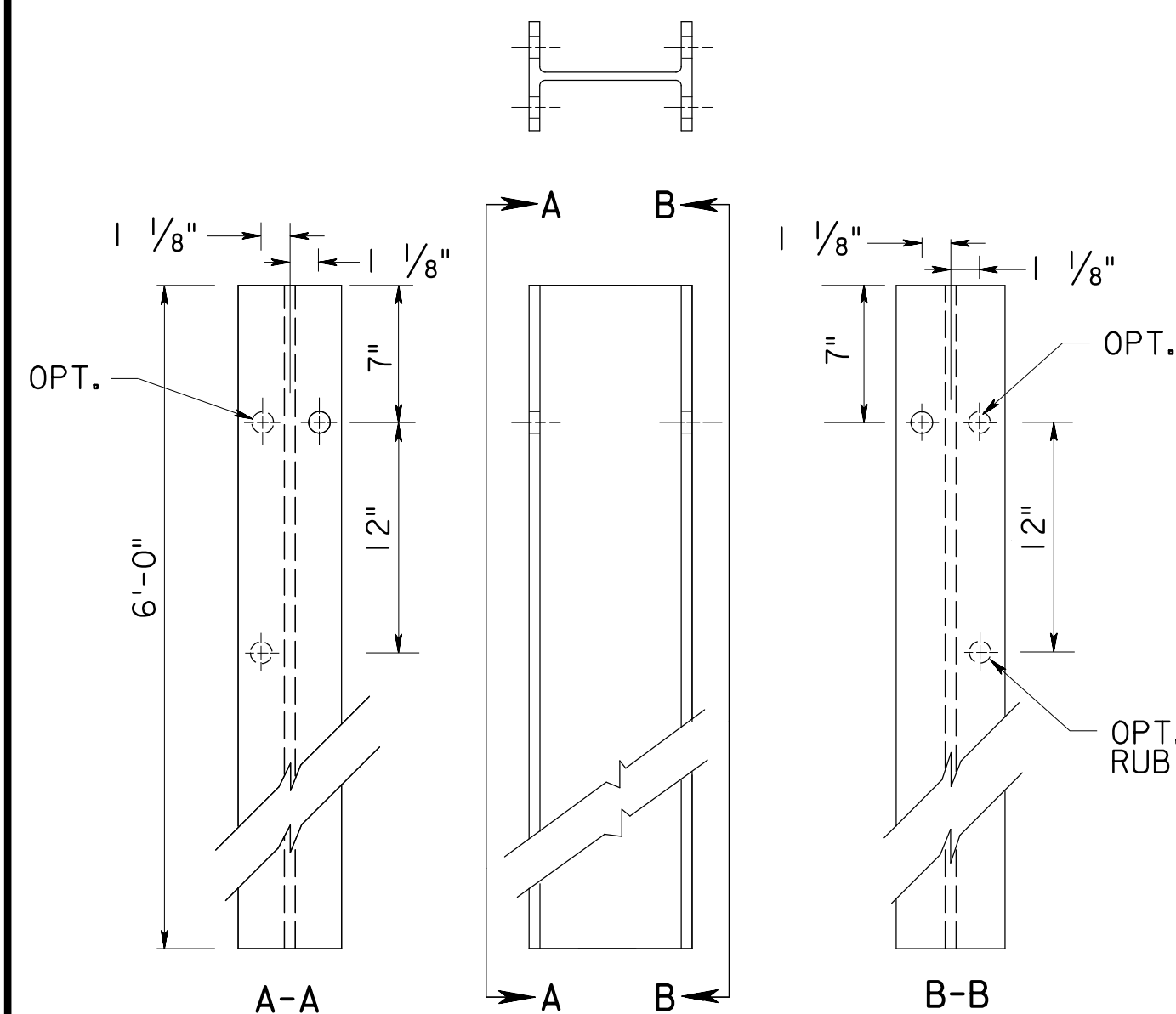
POST ASSEMBLY, DUAL-FACED



BEAM GUIDE RAIL, DUAL-FACED



END SECTION (BUFFER)



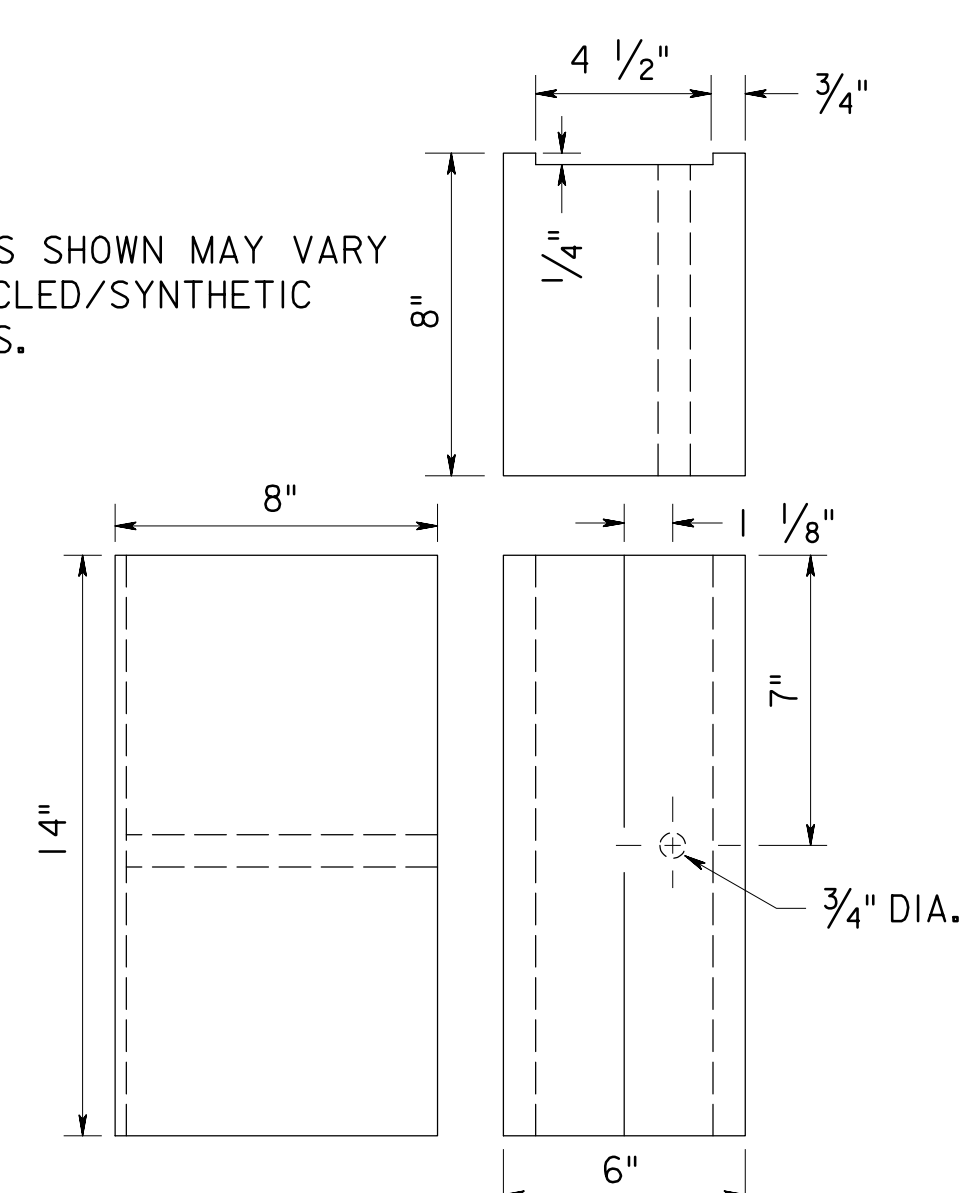
W6x8.5 OR W6x9 STEEL POST

6' POST

NOTE: ALL HOLES 13/16" DIA.

NOTE:

DIMENSIONS SHOWN MAY VARY FOR RECYCLED/SYNTHETIC BLOCKOUTS.

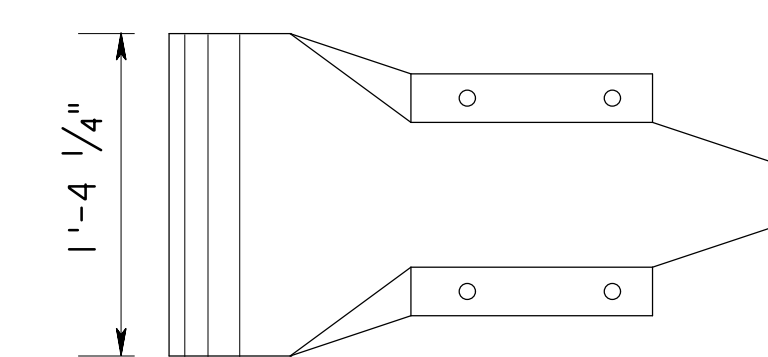


APPROVED RECYCLED/SYNTHETIC MATERIALS

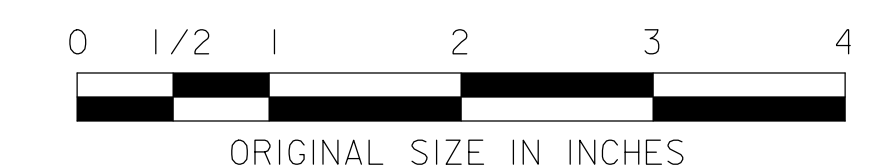
6"x8"x14" BLOCKOUT

NOTES:

1. ALL DIMENSIONS ARE SUBJECT TO MANUFACTURING TOLERANCES.
2. RAIL ELEMENTS SHALL BE FURNISHED SHOPCURVED, CONCAVE OR CONVEX. FOR RADII BETWEEN 20 FEET AND 150 FEET.
3. THE STEEL FOR RAIL ELEMENTS, POSTS AND MISCELLANEOUS HARDWARE SHALL CONFORM TO THE STANDARD SPECIFICATIONS AND ITS AMENDMENTS.
4. GUIDE RAIL DELINEATORS ARE TO BE MOUNTED TO THE CENTER OF THE RAIL ELEMENT FACE AND ORIENTED TOWARD THE APPROACHING TRAFFIC. REFER TO STANDARD SPECIFICATIONS. SEE GR-9 FOR GUIDE RAIL DELINEATOR DETAILS. DELINEATOR TO BE MOUNTED AT RAIL SPLICE ONLY. MOUNTING AT RAIL POST ASSEMBLY SHALL BE PROHIBITED.
5. GARDEN STATE PARKWAY RAIL ELEMENTS AND POSTS TO BE PRE-STAINED PRIOR TO INSTALLATION TO CREATE A RUSTIC BROWN MATTE FINISH. REFER TO SPECIFICATIONS FOR STAIN TREATMENT.
6. SEE GR-1 FOR BOLT, WASHER AND NUT DETAILS.
6. SEE GR-3 FOR RUB RAIL DETAILS.



MASH TL-3



ORIGINAL SIZE IN INCHES

NEW JERSEY TURNPIKE AUTHORITY
**NEW JERSEY TURNPIKE
 GARDEN STATE PARKWAY**
 STANDARD DRAWINGS

BEAM GUIDE RAIL, DUAL FACED

OFFICE OF THE CHIEF ENGINEER
 NEW JERSEY TURNPIKE AUTHORITY
 WOODBRIDGE, NEW JERSEY

STANDARD DRAWING

GR-2

REV.	DESCRIPTION	DATE
0	ORIGINAL DRAWING	07/21