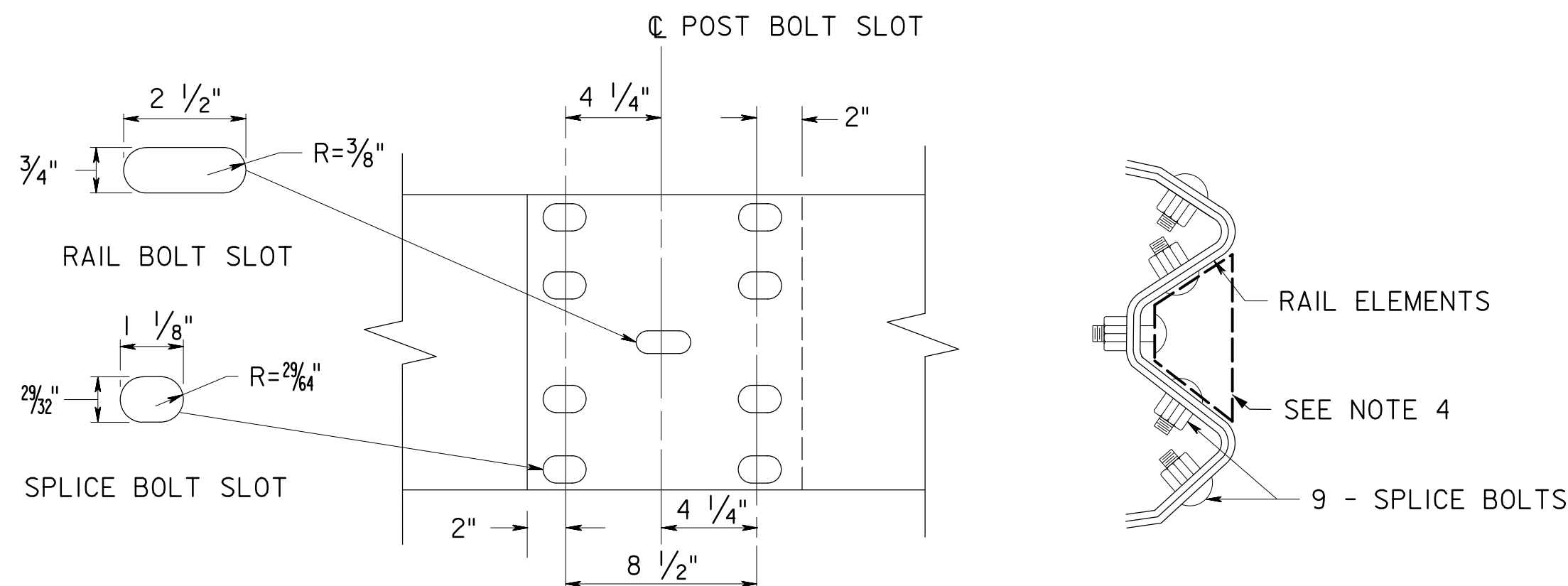
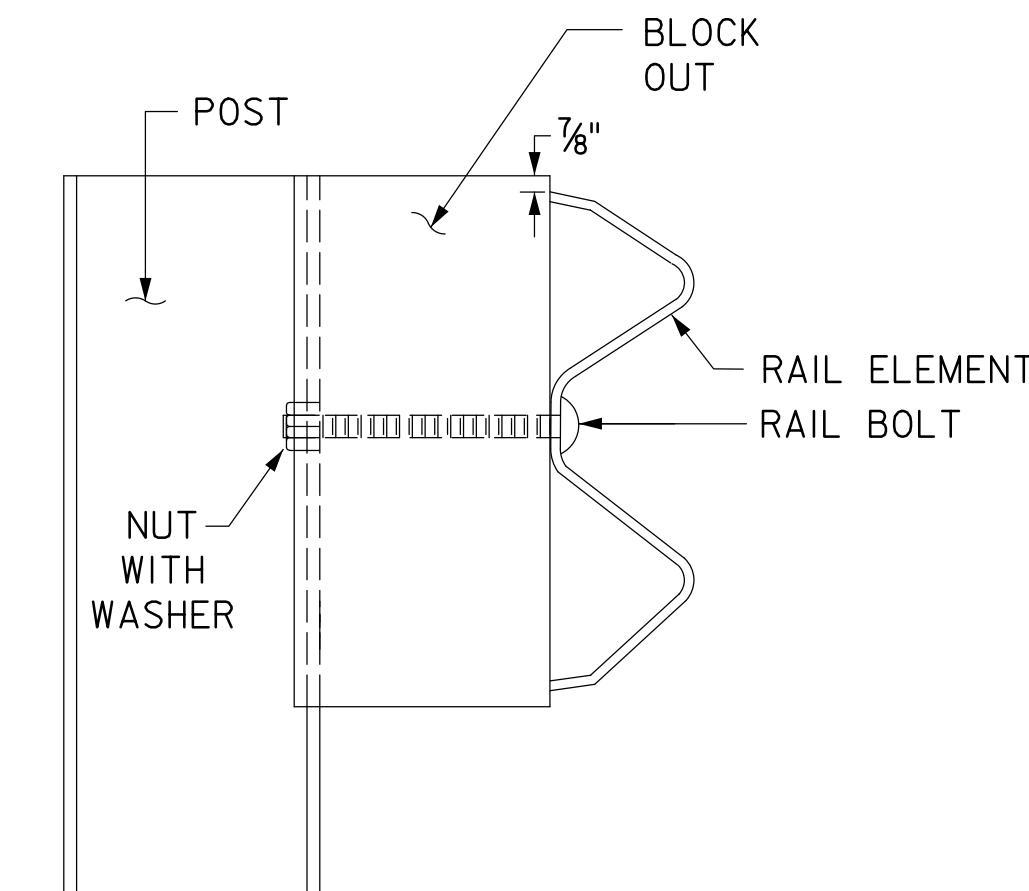


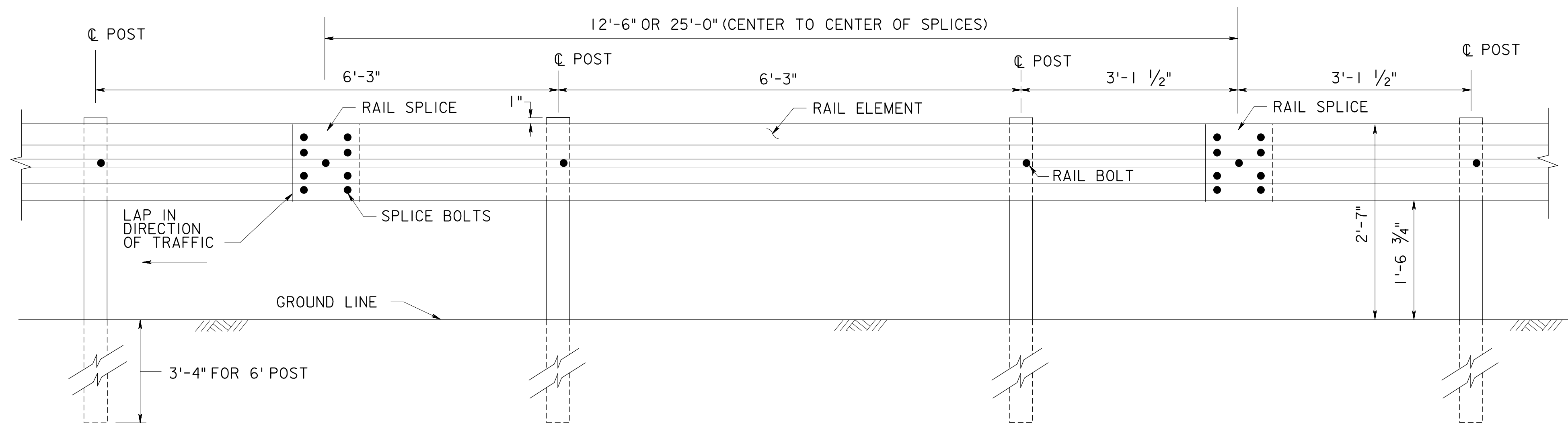
W-BEAM RAIL ELEMENT



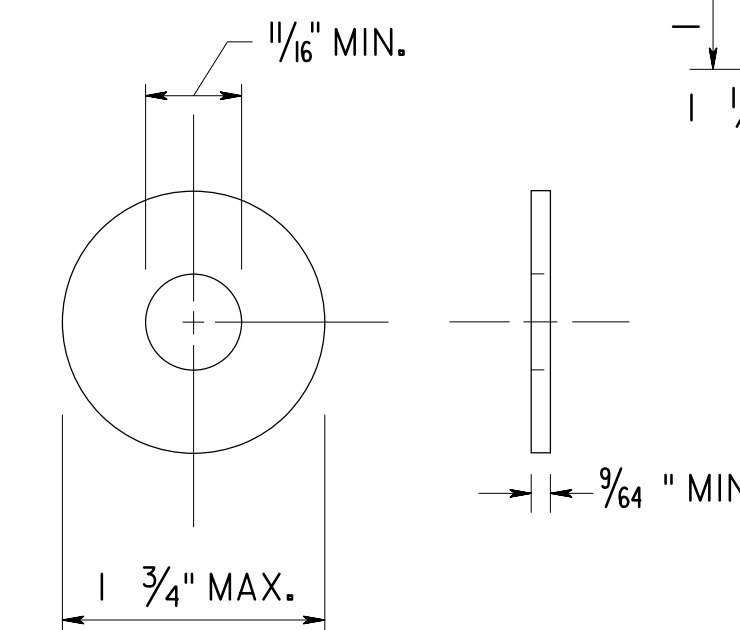
RAIL SPLICE



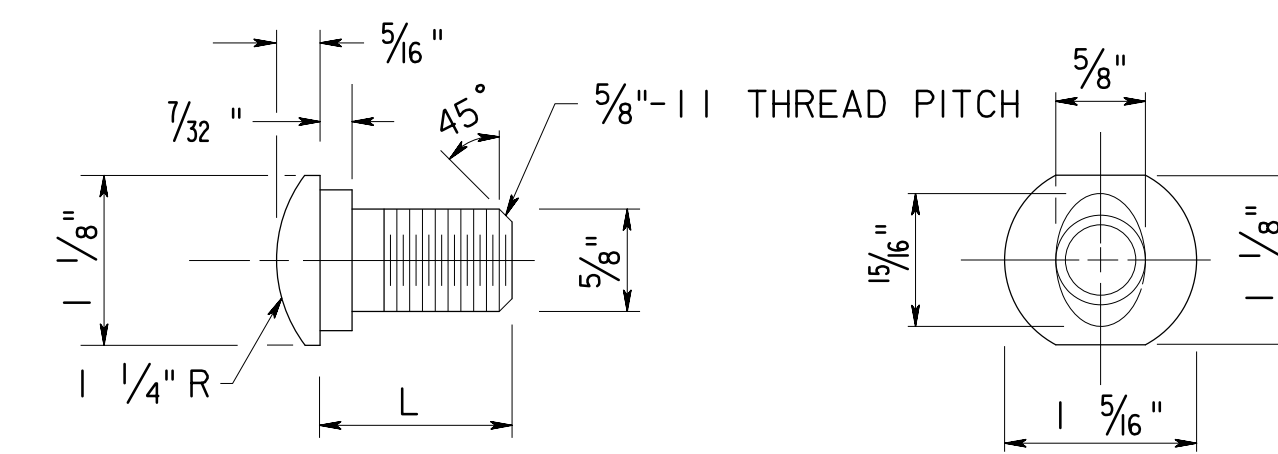
BEAM GUIDE RAIL POST ASSEMBLY



BEAM GUIDE RAIL

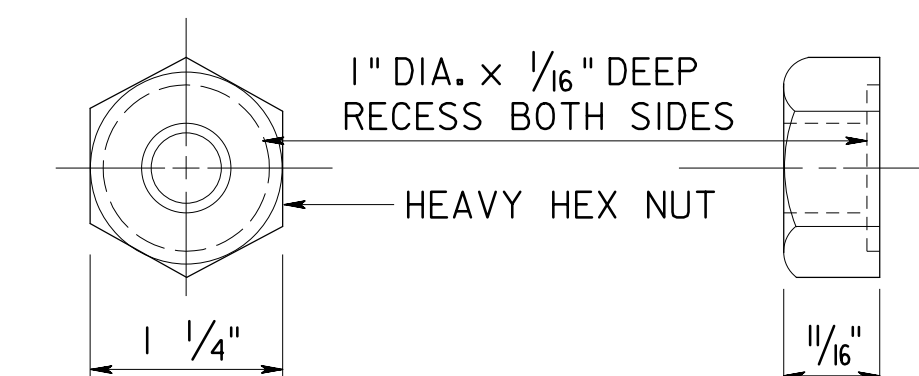


STEEL WASHER

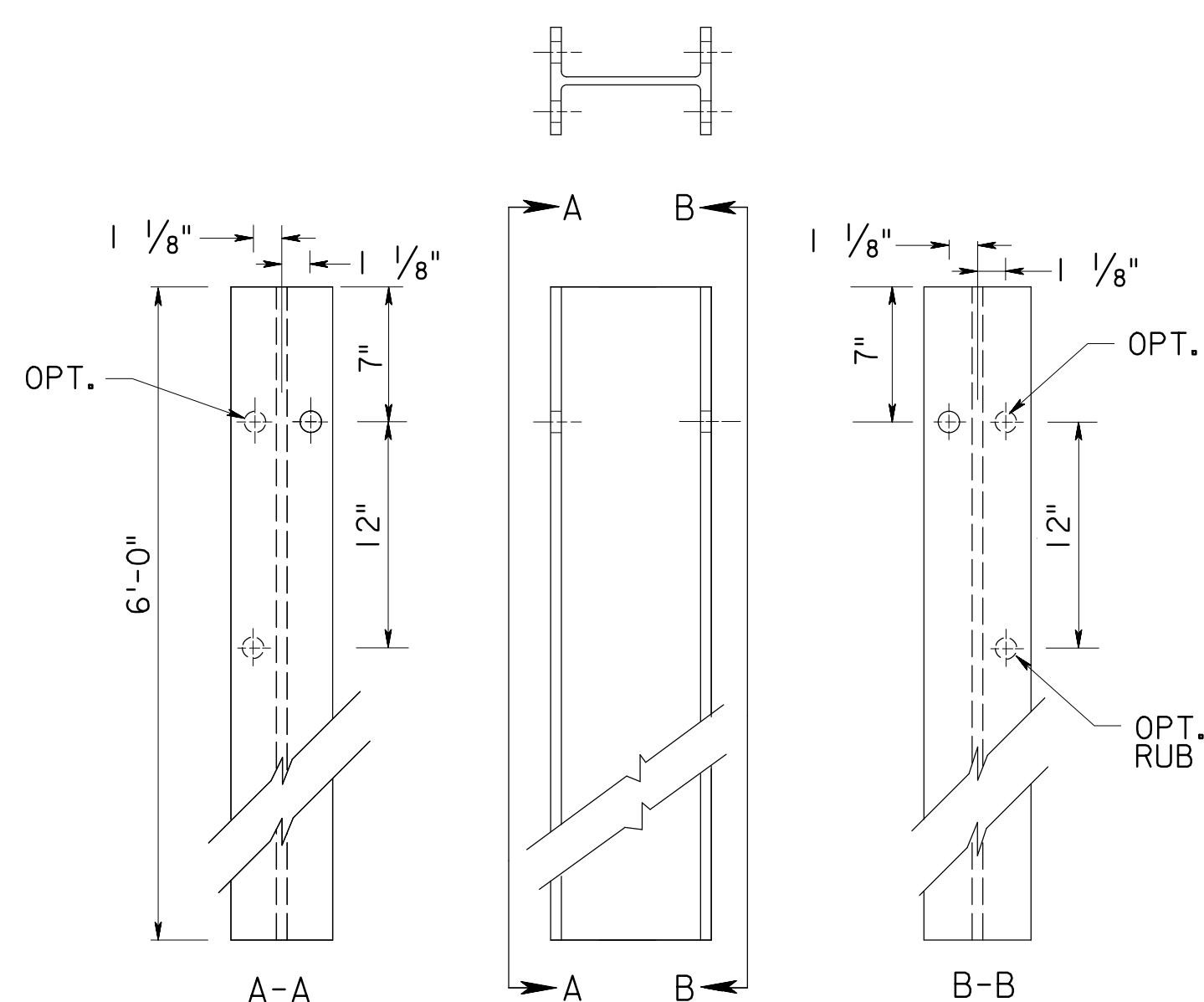


TYPE	L	MIN. THREAD LENGTH
SPLICE	1 1/4"	FULL LENGTH THREAD
RAIL	9 1/2"	1 3/4"

5/8" DIA. BUTTON HEAD BOLT



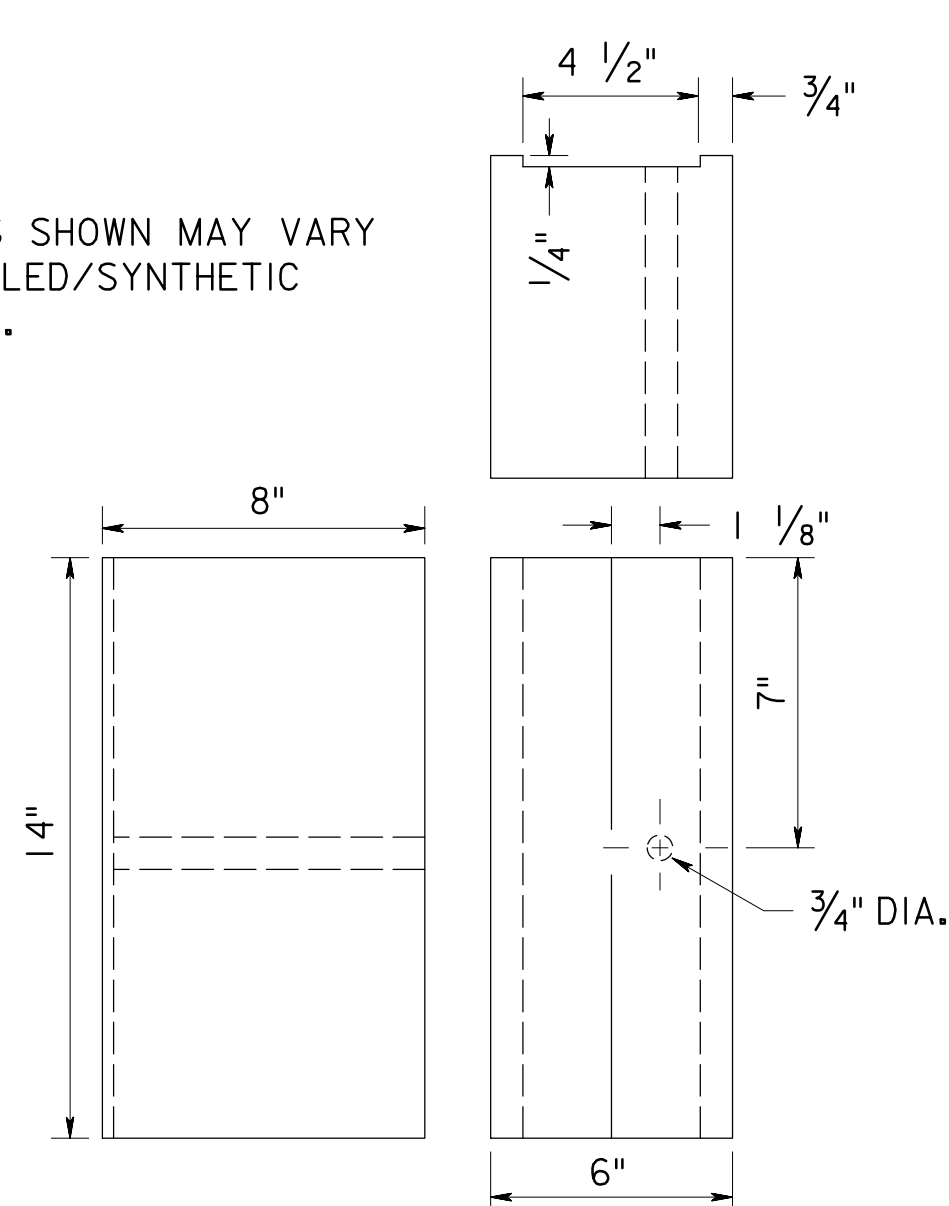
5/8" DIA. RECESS NUT
SPLICE & RAIL NUT & BOLT



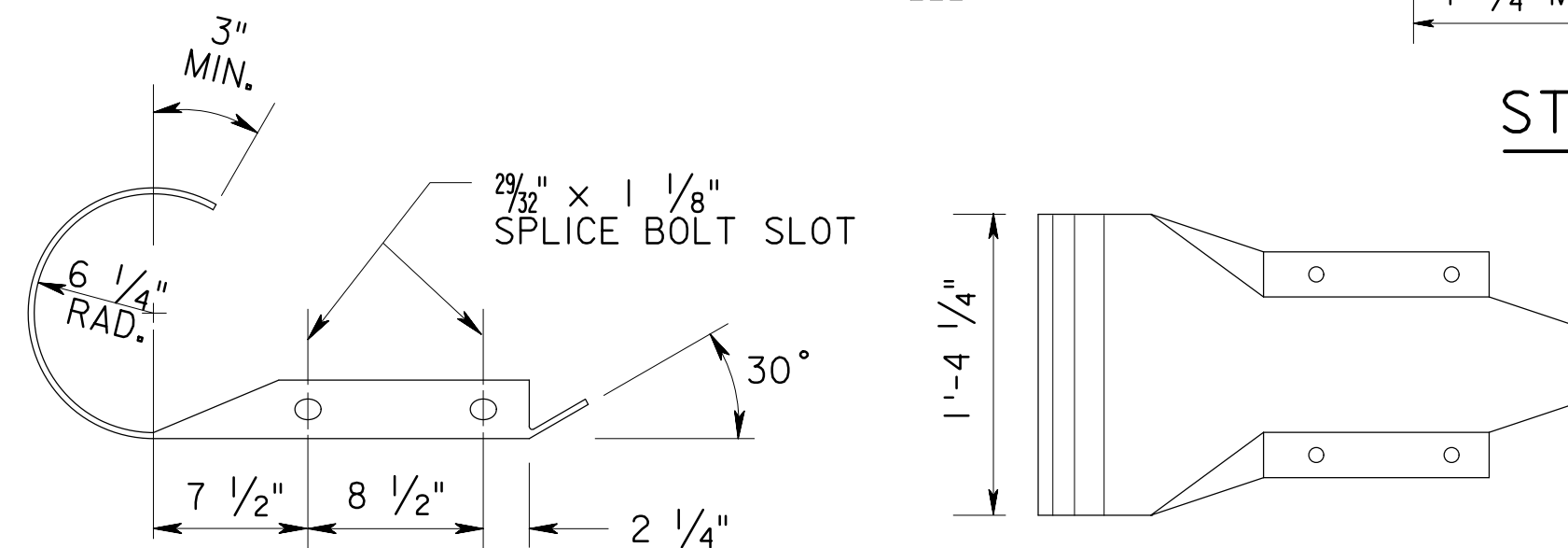
W6x8.5 OR W6x9 STEEL POST

6' POST

NOTE:
DIMENSIONS SHOWN MAY VARY FOR RECYCLED/SYNTHETIC BLOCKOUTS.



APPROVED RECYCLED/
SYNTHETIC MATERIALS
6"x8"x14" BLOCKOUT



END SECTION (ROUNDED)

NOTES:

- ALL DIMENSIONS ARE SUBJECT TO MANUFACTURING TOLERANCES.
- RAIL ELEMENTS SHALL BE FURNISHED SHOPCURVED, CONCAVE OR CONVEX, FOR RADII BETWEEN 20 AND 150 FEET.
- THE STEEL FOR RAIL ELEMENTS, POSTS AND MISCELLANEOUS HARDWARE SHALL CONFORM TO THE STANDARD SPECIFICATIONS AND ITS AMENDMENTS.
- GUIDE RAIL DELINEATORS ARE TO BE MOUNTED TO THE CENTER OF THE RAIL ELEMENT FACE AND ORIENTED TOWARD THE APPROACHING TRAFFIC. REFER TO STANDARD SPECIFICATIONS. SEE GR-9 FOR GUIDE RAIL DELINEATOR DETAILS. DELINEATOR TO BE MOUNTED AT RAIL SPLICE ONLY. MOUNTING AT RAIL POST ASSEMBLY SHALL BE PROHIBITED.
- GARDEN STATE PARKWAY RAIL ELEMENTS AND POSTS TO BE PRE-STAINED PRIOR TO INSTALLATION TO CREATE A RUSTIC BROWN MATTE FINISH. REFER TO SPECIFICATIONS FOR STAIN TREATMENT.

MASH TL-3



NEW JERSEY TURNPIKE AUTHORITY
**NEW JERSEY TURNPIKE
GARDEN STATE PARKWAY**
STANDARD DRAWINGS

BEAM GUIDE RAIL

OFFICE OF THE CHIEF ENGINEER
NEW JERSEY TURNPIKE AUTHORITY
WOODBRIIDGE, NEW JERSEY

STANDARD DRAWING

GR-1

REV.	DESCRIPTION	DATE
0	ORIGINAL DRAWING	07/21