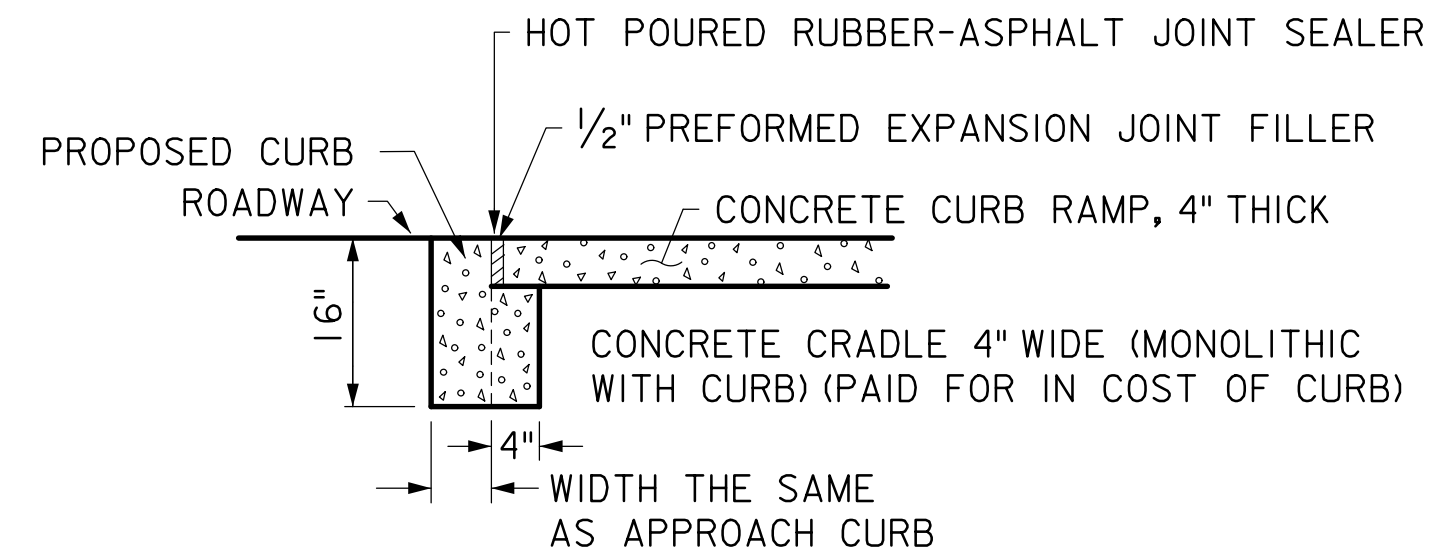
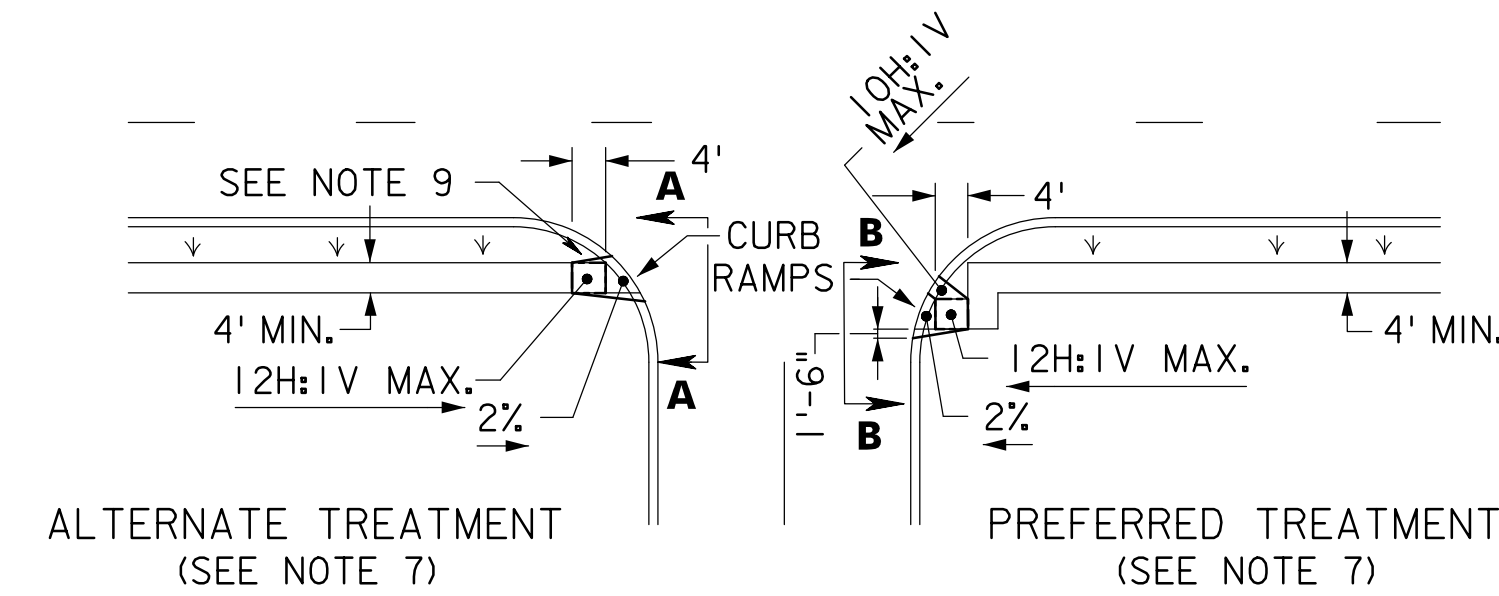


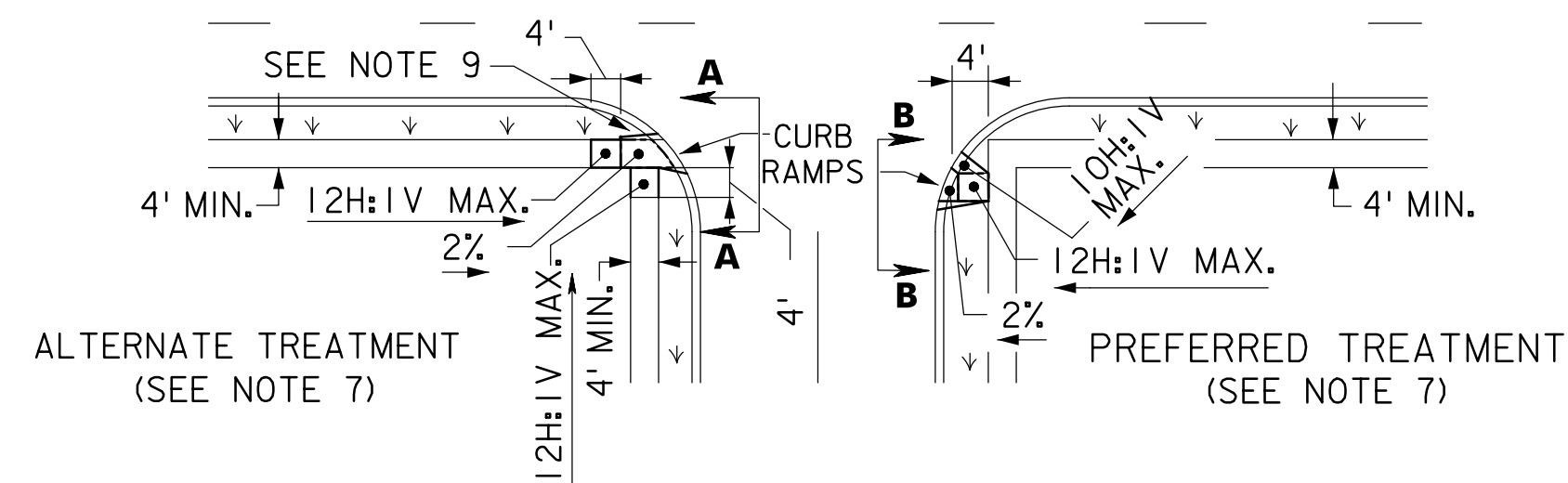
CURB RAMP SURFACE



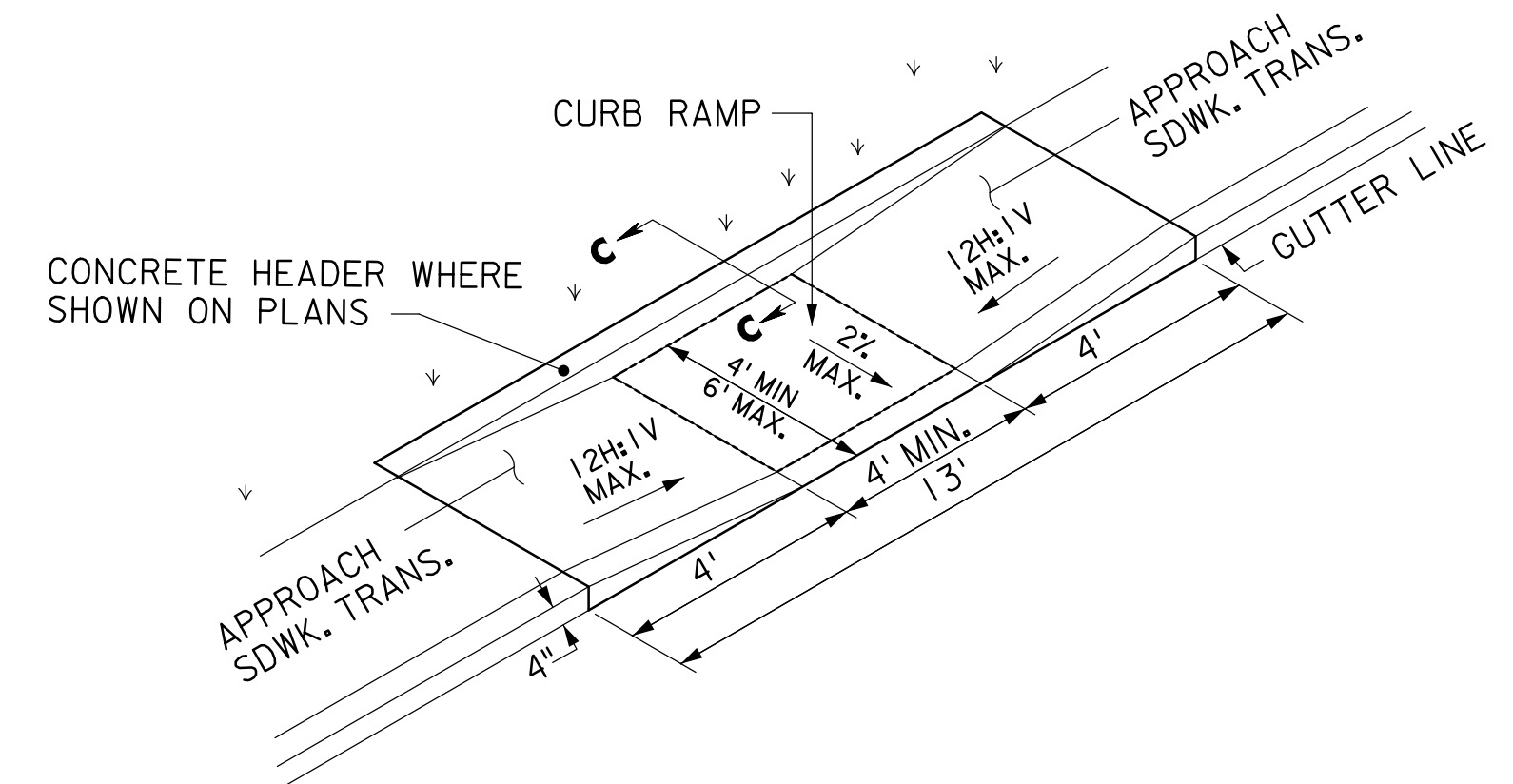
SECTION D-D



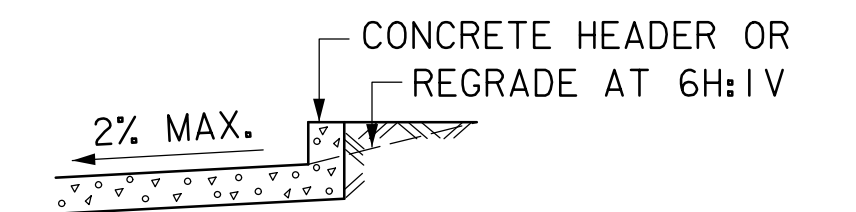
**CURB RAMP TYPE 3
(CROSSING PARALLEL)**



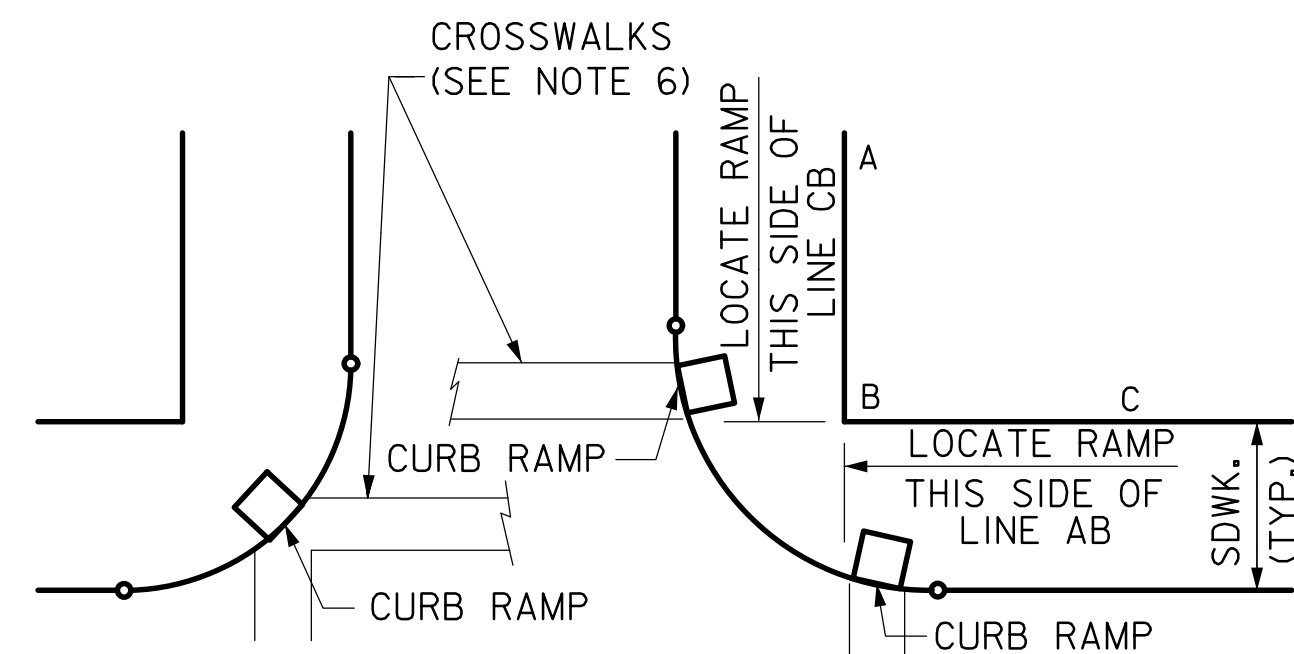
**CURB RAMP TYPE 4
(CROSSING PARALLEL)**



**CURB RAMP TYPE 5
(SEE NOTE 8)**

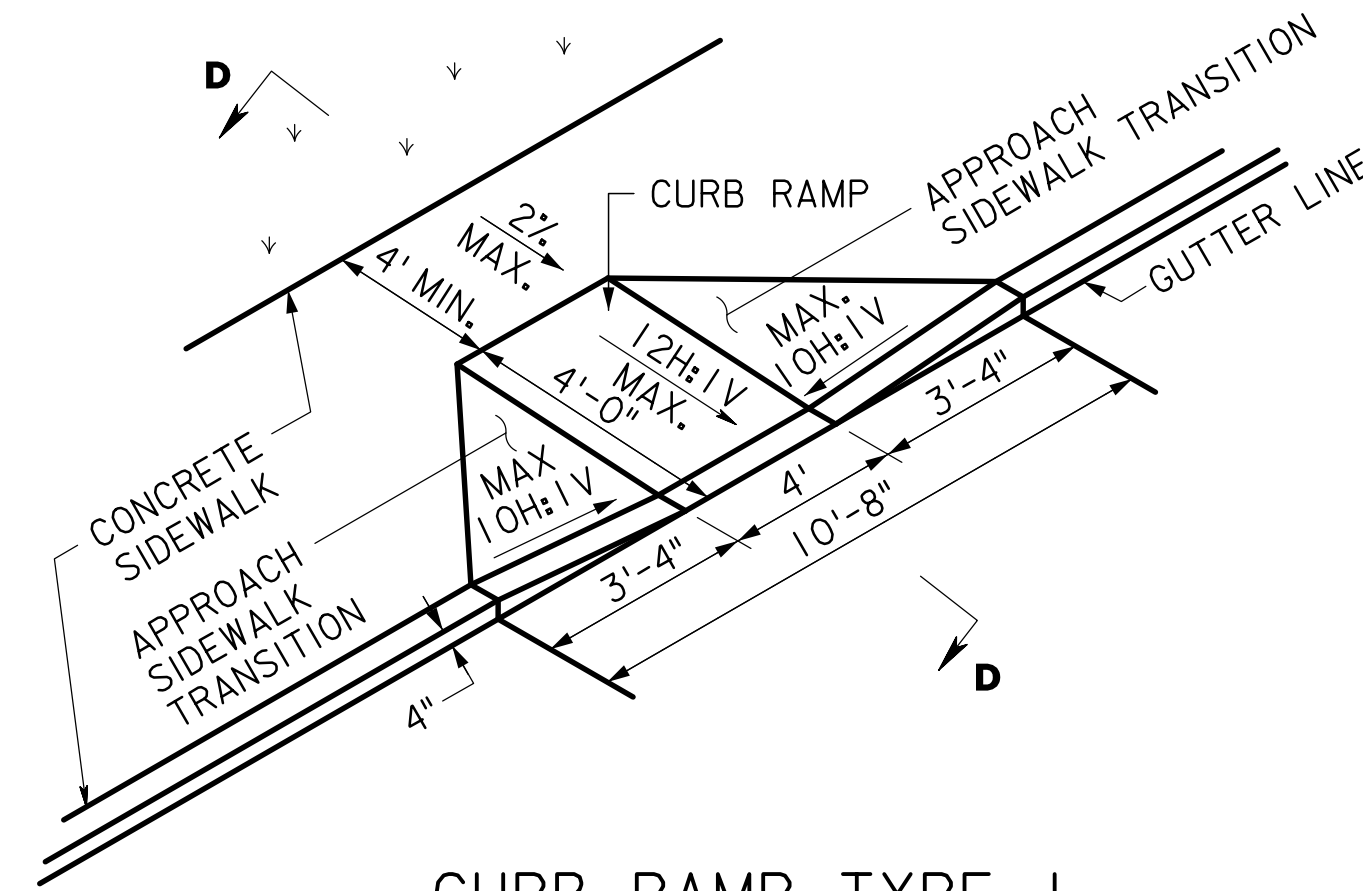


SECTION C-C

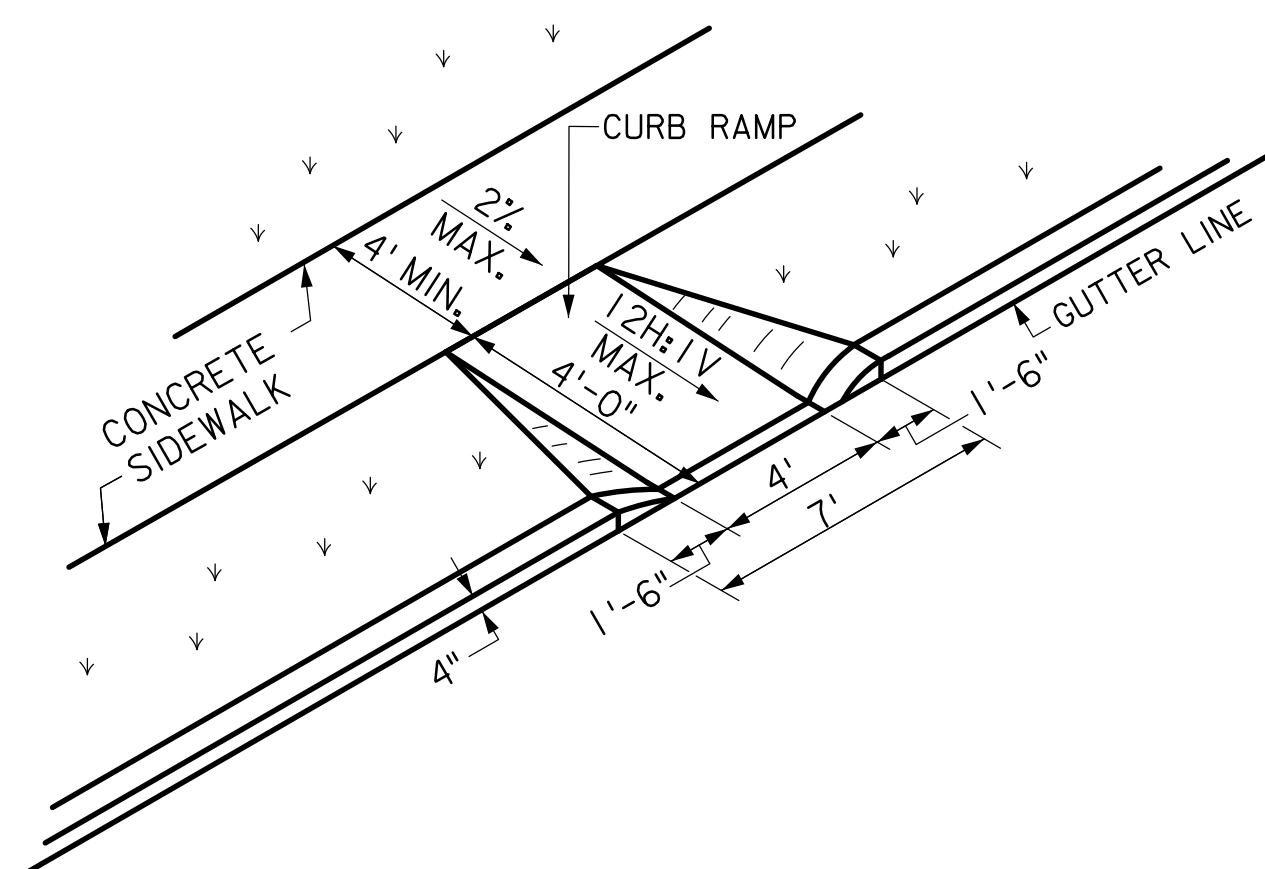


ALTERNATE TREATMENT (SEE NOTE 7) PREFERRED TREATMENT (SEE NOTE 7)

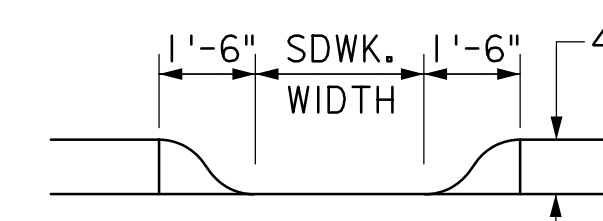
LOCATION OF CURB RAMP TYPES 1, 2 & 5 FOR PARALLEL AND PERPENDICULAR CROSSING



CURB RAMP TYPE 1



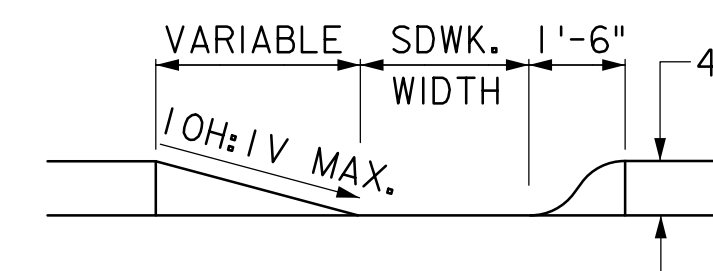
**CURB RAMP TYPE 2
(GRASS BUFFER STRIP)**



SECTION A-A

NOTE:

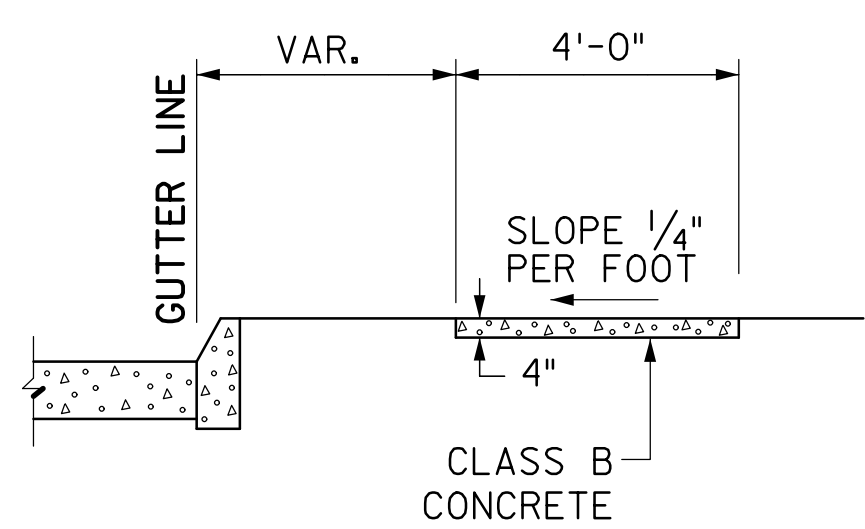
CURB RAMP OPENING TO BE FLUSH WITH ROADWAY PAVEMENT (CURB RAMP TYPES 3 & 4).



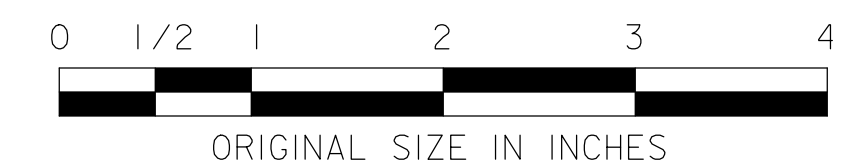
SECTION B-B

NOTES:

1. LANDING AREA, APPROACH SIDEWALK TRANSITIONS, AND CURB RAMP SHALL BE KEPT CLEAR OF OBSTRUCTIONS.
2. CURB (DROPPED CURB) GUTTERLINE TO BE FLUSH WITH PAVEMENT A MINIMUM OF 4 FEET AT ALL CURB RAMP.
3. SIDEWALK AND CURB RAMP WITHIN AREA ENCLOSED BY HEAVY LINES TO BE PAID FOR AS CONCRETE SIDEWALK OF THE APPROPRIATE ADJACENT THICKNESS.
4. CURB AND HEADER WITHIN AREA ENCLOSED BY HEAVY LINES TO BE PAID FOR AS VERTICAL CURB OR SLOPING CURB OF THE APPROPRIATE ADJACENT SIZE AND KIND.
5. 2" x 6" PLANK USED IN ASPHALT LIP CURB IN ACCORDANCE WITH NJTA SPECIFICATION 910.06.
6. CROSSWALKS AND STOP LINES MAY BE MARKED OR UNMARKED, SEE PLANS.
7. PREFERRED AND ALTERNATE TREATMENTS SHOULD NOT BE INTERMIXED WITHIN THE SAME INTERSECTION.
8. WHERE THE DISTANCE FROM THE GUTTER LINE TO THE OUTSIDE EDGE OF SIDEWALK IS 6 FEET OR LESS, CURB RAMP TYPE 5 SHOULD BE USED, INSTEAD OF CURB RAMP TYPE 1 AND 2.
9. FOR CURB RAMP TYPES 3 AND 4, IF A GRASS BUFFER DOES NOT EXIST, SLOPE CURB TO EQUAL SLOPE OF ADJACENT CURB RAMP.



CONCRETE SIDEWALK, 4" THICK



NEW JERSEY TURNPIKE AUTHORITY
**NEW JERSEY TURNPIKE
GARDEN STATE PARKWAY**

STANDARD DRAWINGS

**CONCRETE SIDEWALK
AND CURB RAMP DETAILS**

OFFICE OF THE CHIEF ENGINEER
NEW JERSEY TURNPIKE AUTHORITY
WOODBRIIDGE, NEW JERSEY

STANDARD DRAWING

CU-2

REV.	DESCRIPTION	DATE
0	ORIGINAL DRAWING	07/21