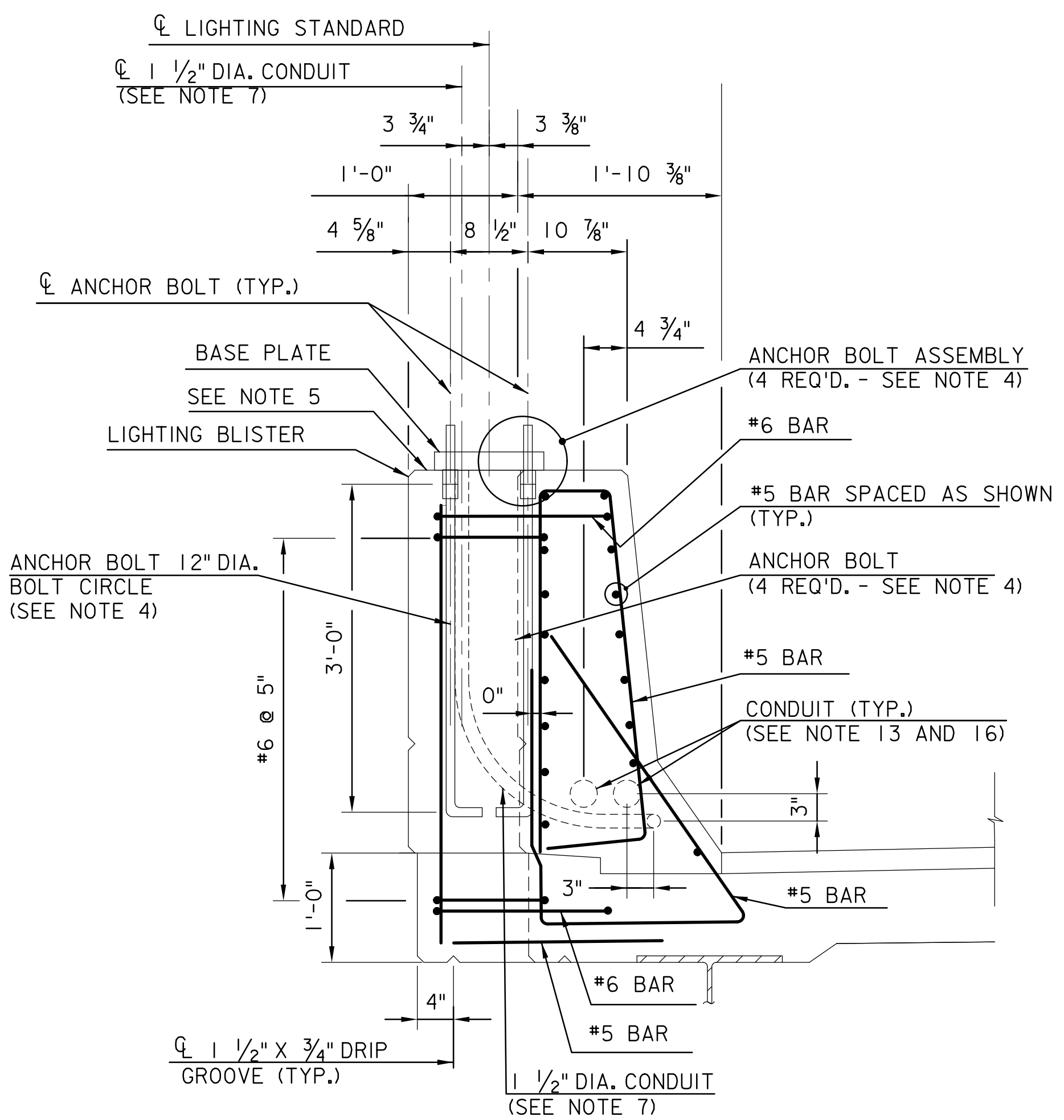


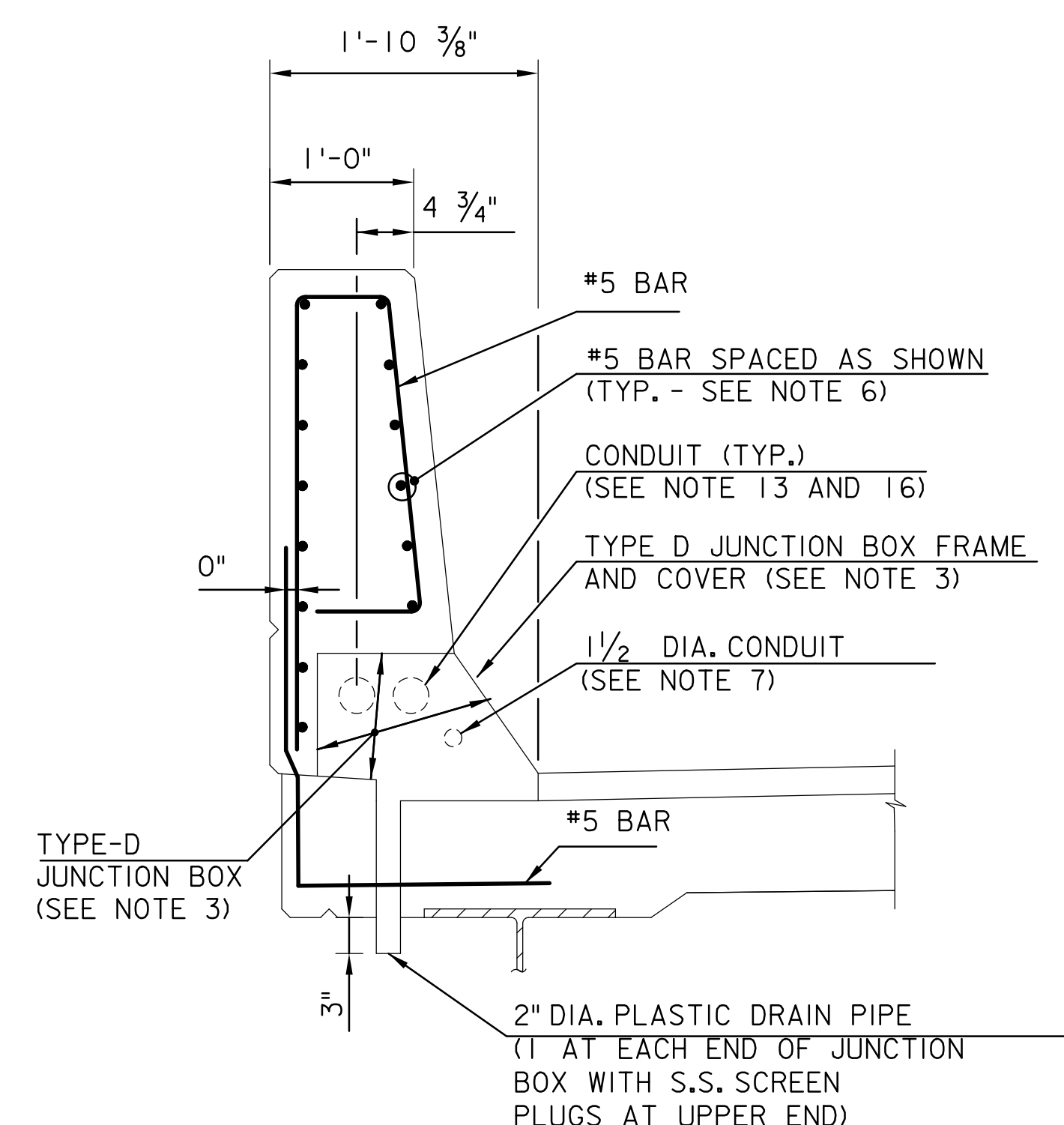
NOTES:

1. FOR LIGHTING STANDARD AND JUNCTION BOX LOCATIONS, SEE THE CONTRACT PLANS.
2. FOR TYPICAL BARRIER PARAPET REINFORCEMENT, DIMENSIONS AND DETAILS NOT SHOWN, SEE STANDARD DRAWING BR-7.
3. FOR TYPE-D JUNCTION BOX FRAME AND COVER DETAILS SEE STANDARD DRAWING E-14.
4. ANCHOR BOLTS SHALL BE 1 1/4" DIA. ARRANGED IN A 12" DIA. CIRCLE AS SHOWN. SEE STANDARD DRAWING E-10 FOR DETAILS.
5. TOP OF BARRIER PARAPET SHALL BE FINISHED TO A TRUE LEVEL PLANE SURFACE BENEATH THE LIGHTING STANDARD.
6. MAINTAIN 2" REINFORCEMENT CLEARANCE AT JUNCTION BOX.
7. CONDUIT BETWEEN TYPE D JUNCTION BOXES AND LIGHTING BLISTERS SHALL BE RIGID METALLIC. 1 1/2" DIA. RIGID METALLIC CONDUIT SHALL HAVE A MINIMUM BEND RADIUS OF 10".
8. DETAIL SHOWN IS NOT APPLICABLE FOR A PARAPET PANEL LENGTH ("L") LESS THAN 12'-10".
9. SHOP DRAWINGS ARE REQUIRED FOR REINFORCEMENT.
10. LIGHTING STANDARD OFFSETS MEASURED TO CL PARAPET PIER EXPANSION JOINT, CL PIER OR CL 1/4" PARAPET EXPANSION JOINT.
11. ALL LIGHT STANDARDS SHALL BE DIRECTLY MOUNTED TO LIGHTING BLISTERS USING LIGHT POLE SHOE BASES AND NOT WITH THE USE OF TRANSFORMER BASES. POSITION BASES TO PROVIDE A MIN. OF 21" LATERAL OFFSET FROM FACE OF POLE TO GUTTERLINE OF BARRIER.
12. LIGHTING STANDARD NOT SHOWN. FOR DETAILS SEE THE CONTRACT PLANS AND APPLICABLE ELECTRICAL STANDARD DRAWINGS. PROVIDE 1/8" THICK NEOPRENE PAD BETWEEN LIGHTING STANDARD AND PARAPET.
13. CONDUITS MAY BE STACKED AND TRANSITIONED TO MEET THE POSITION SHOWN IN SECTION B-B AT THE JUNCTION BOX INTERFACE.
14. SEE STANDARD DRAWING E-10 FOR BOLTING DETAILS OF LIGHTING STANDARD TO PARAPET.
15. THE CONTRACTOR SHALL COORDINATE THE LOCATION OF BRIDGE MOUNTED LIGHTING STANDARDS, LIGHTING BLISTERS, AND TYPE D JUNCTION BOXES WITH THE CONTRACT PLANS.
16. CONDUIT IN PARAPET SHALL BE OF THE TYPE AND SIZE AS SHOWN ON THE CONTRACT PLANS.
17. FOR DETAILS ON EXPANSION JOINTS AND FITTINGS FOR CONDUIT IN PARAPET SEE STANDARD DRAWING E-23.



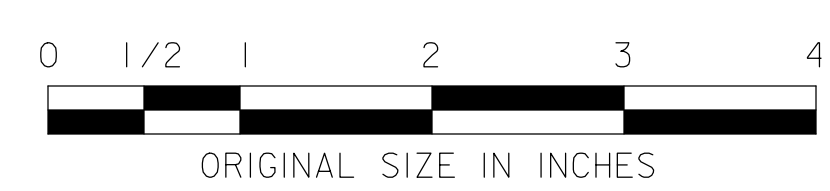
SECTION A-A
1" = 1'-0"

NOTE: TWO COURSE DECK CONSTRUCTION IS SHOWN. ONE COURSE CONSTRUCTION IS SIMILAR.



SECTION B-B
1" = 1'-0"

MASH TL-5



NEW JERSEY TURNPIKE AUTHORITY
**NEW JERSEY TURNPIKE
 GARDEN STATE PARKWAY**
 STANDARD DRAWINGS

PARAPET LIGHTING BLISTER AND TYPE D JUNCTION BOX DETAILS

OFFICE OF THE CHIEF ENGINEER
 NEW JERSEY TURNPIKE AUTHORITY
 WOODBRIDGE, NEW JERSEY

STANDARD DRAWING
BR-15

REV.	DESCRIPTION	DATE
0	REISSUED DRAWING	07/21