

ALTERNATE INSTALLATIONS FOR SINGLE CONDUIT RACEWAYS
Scale: 1/2" = 1'-0"

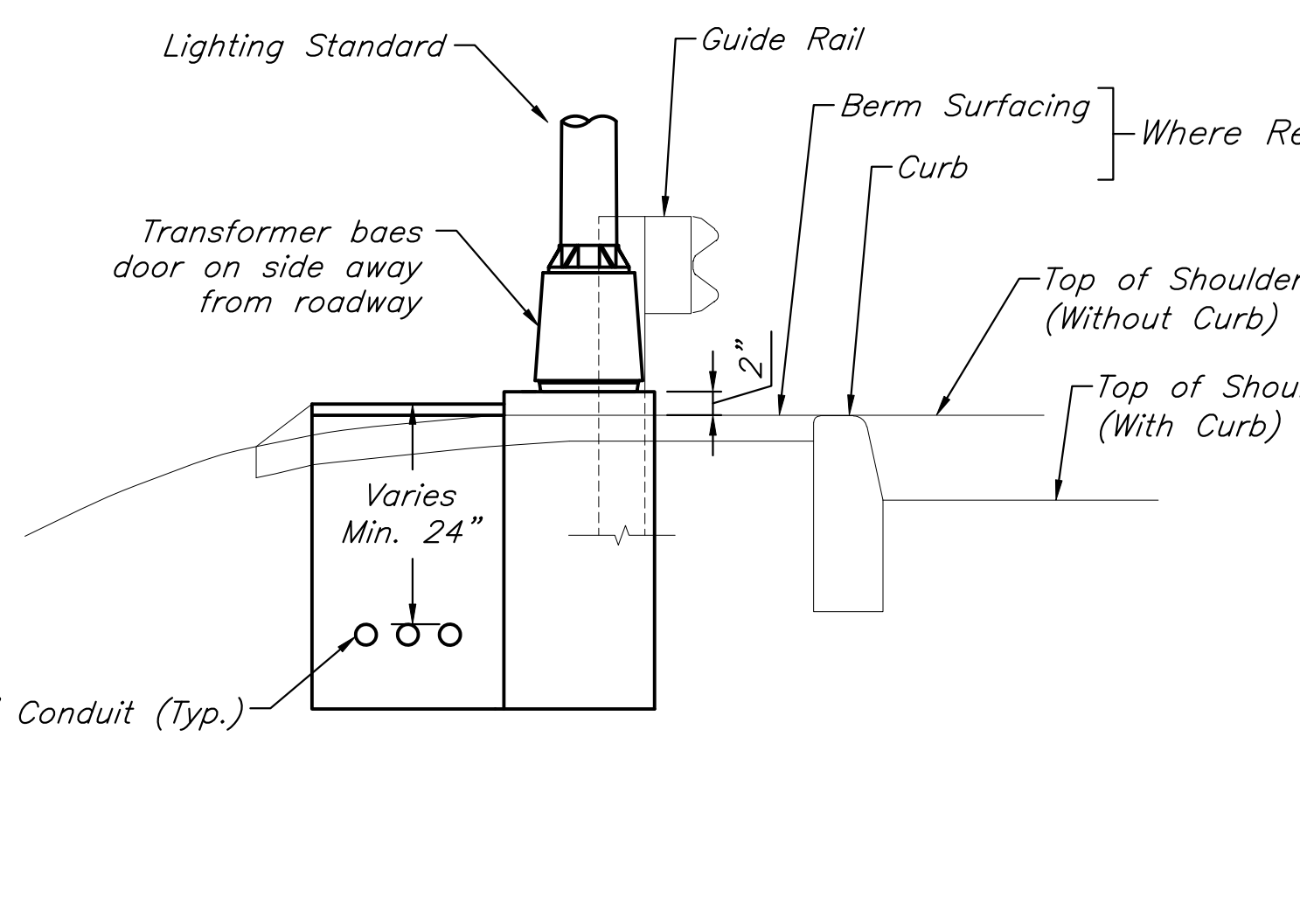
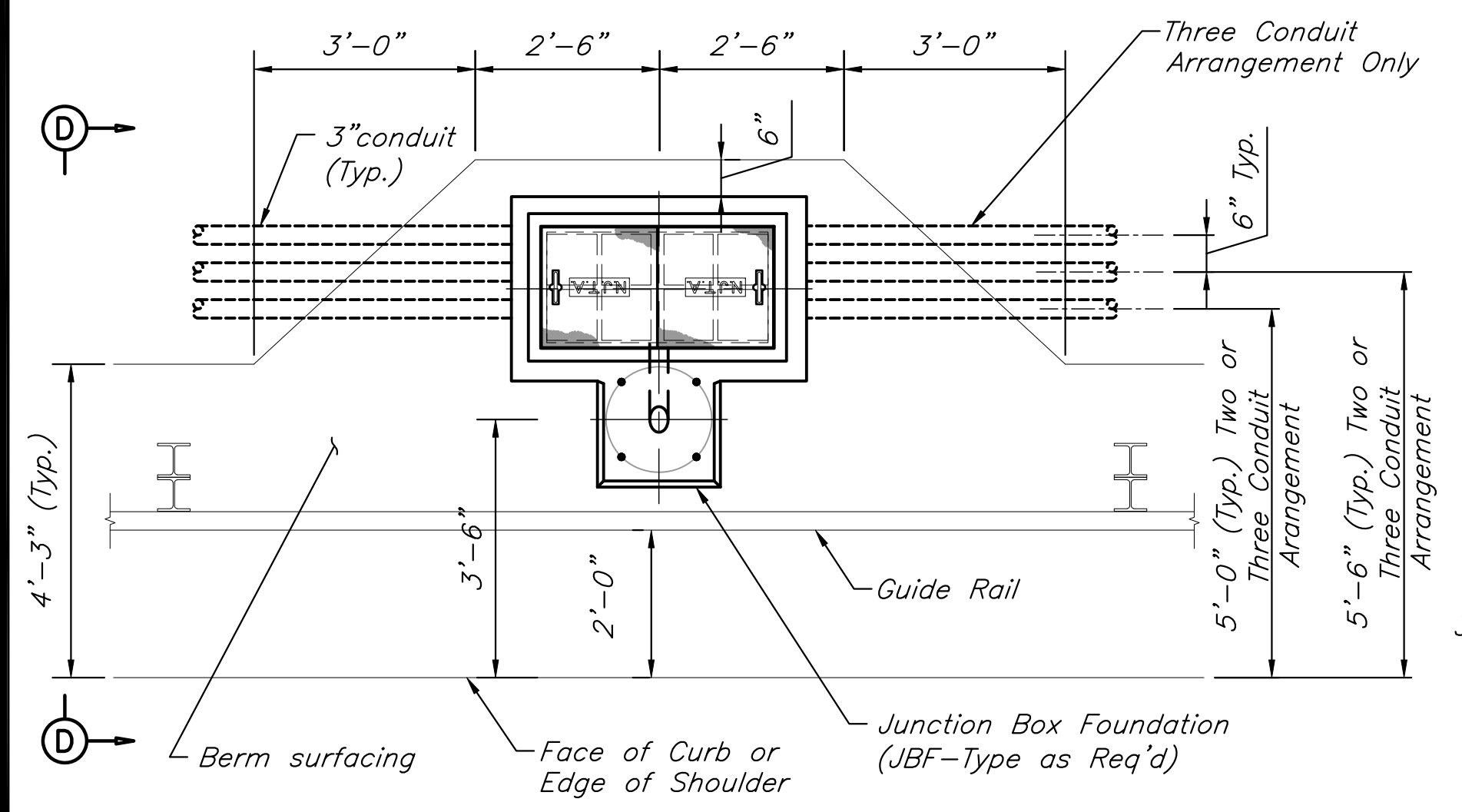
INSTALLATION FOR TWO OR THREE CONDUIT RACEWAYS
Scale: 1/2" = 1'-0"

NOTES

- Typical installations shown on this drawing refer to areas with guide rail and berm surfacing. Installations in other areas shall be similar, unless otherwise noted on the Contract Plans and/or directed by the Engineer.
- Unless otherwise noted on the Contract Plans & Specifications the area around lighting standard bases, concrete junction boxes and manholes shall be graded and additional berm surfacing provided by the Contractor.
- This dimension shall be 5'-3" for 2 conduits and 5'-9" for 3 conduits entering junction box.
- Unless otherwise noted on the Plans, this dimension shall be 5'-3" 5'-11" and 6'-7" for 6, 8 and 10 conduits entering manhole, respectively.
- This dimension shall be 7" for 2 conduits entering junction box.
- Installations where junction box is to be installed on the 12 ft. shoulder side of median.
- Installations where junction box is to be installed on the 5 ft. shoulder side of median.
- Conduit offset bend shall be Rigid Nonmetallic where the distance between of guide rail post and lighting standard base is less than 5'-0". Offset bend shall be omitted in areas where guide rail is not required.
- Placement of concrete junction boxes and roadway lighting manholes which are not adjacent to a lighting standard shall conform to the applicable details shown.
- Lighting standard bases shall be placed at midpoint between guide rail posts, wherever feasible.
- Asphalt lip curbs are not shown.
- Reference to Nonmetallic conduits on these Details shall be understood to include cableduct, as applicable.

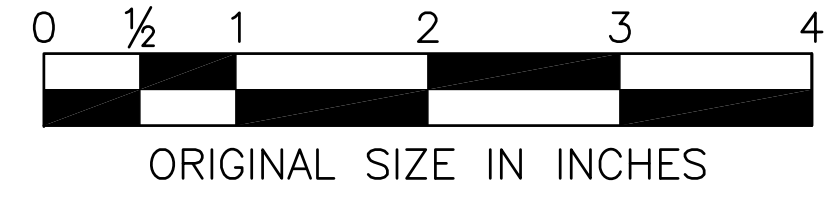
LEGEND

- Additional Berm Surfacing (See Notes 1 & 2)
- Edge of Berm Surfacing
- Guide Rail Post and Bracket(s)
- Guide Rail Element(s)
- 3" Rigid nonmetallic Conduit (Typ) or Conduit, size and type as shown on the Plans
- 3" Rigid nonmetallic conduit bend with 12" min. radius
- Top of Shoulder on Roadways without Curb
- Top of Shoulder on Roadways with Curb
- Conduit Offset Bend with 36" Rad, 20"±1" Offset and 6'-6" min length. 3" size (Typ) or 2" size (where req'd), Nonmetallic or Rigid Metallic, as shown on the Plans
- Conduit Coupling



INSTALLATION OF J.B.F. WITH ONE, TWO OR THREE CONDUIT RACEWAY(S)
Scale: 1/2" = 1'-0"

TYPICAL LIGHTING STANDARD AND CONCRETE JUNCTION BOX INSTALLATION DETAILS



If you use this DWG:	
You also need	E-09
You may need	E-12, E-13, & E-19

MADE	EMG	05/2009
TRACED	EMG	05/2009
CHECKED	GS	05/2009
SUPERVISED	ALB	05/2009

APP.	NO.	DATE	REVISION
	0	05/2009	ORIGINAL DRAWING

NEW JERSEY TURNPIKE AUTHORITY
NEW JERSEY TURNPIKE
ROADWAY LIGHTING INSTALLATION
DETAILS - 1

HNTB 145 RT. 46 WEST, SUITE 400,
WAYNE, NJ 07470 - CO# 24G28000700
ANTHONY L. BARTELLO
N.J.P.E. License No. GE 45842

STANDARD DRAWING
E-18