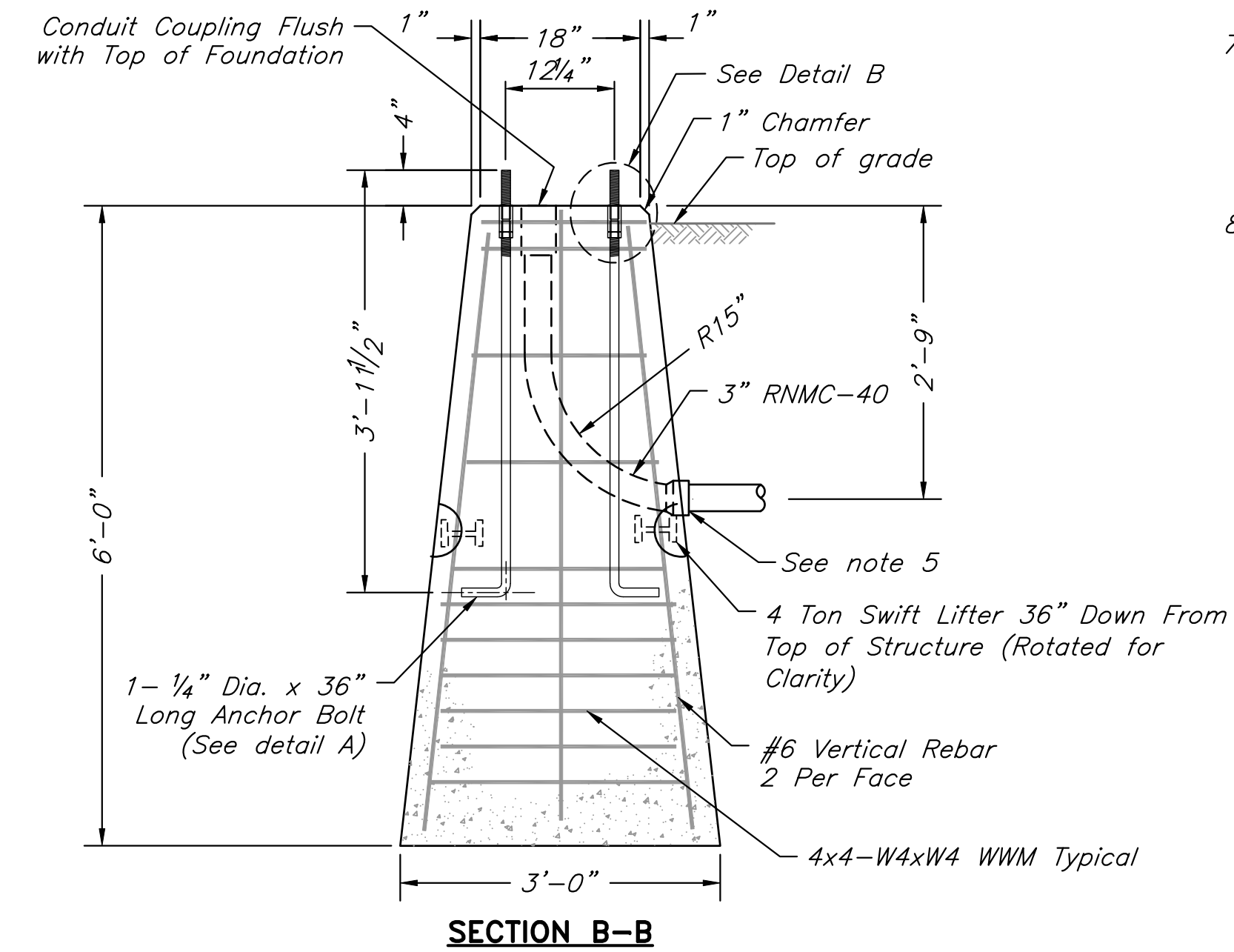
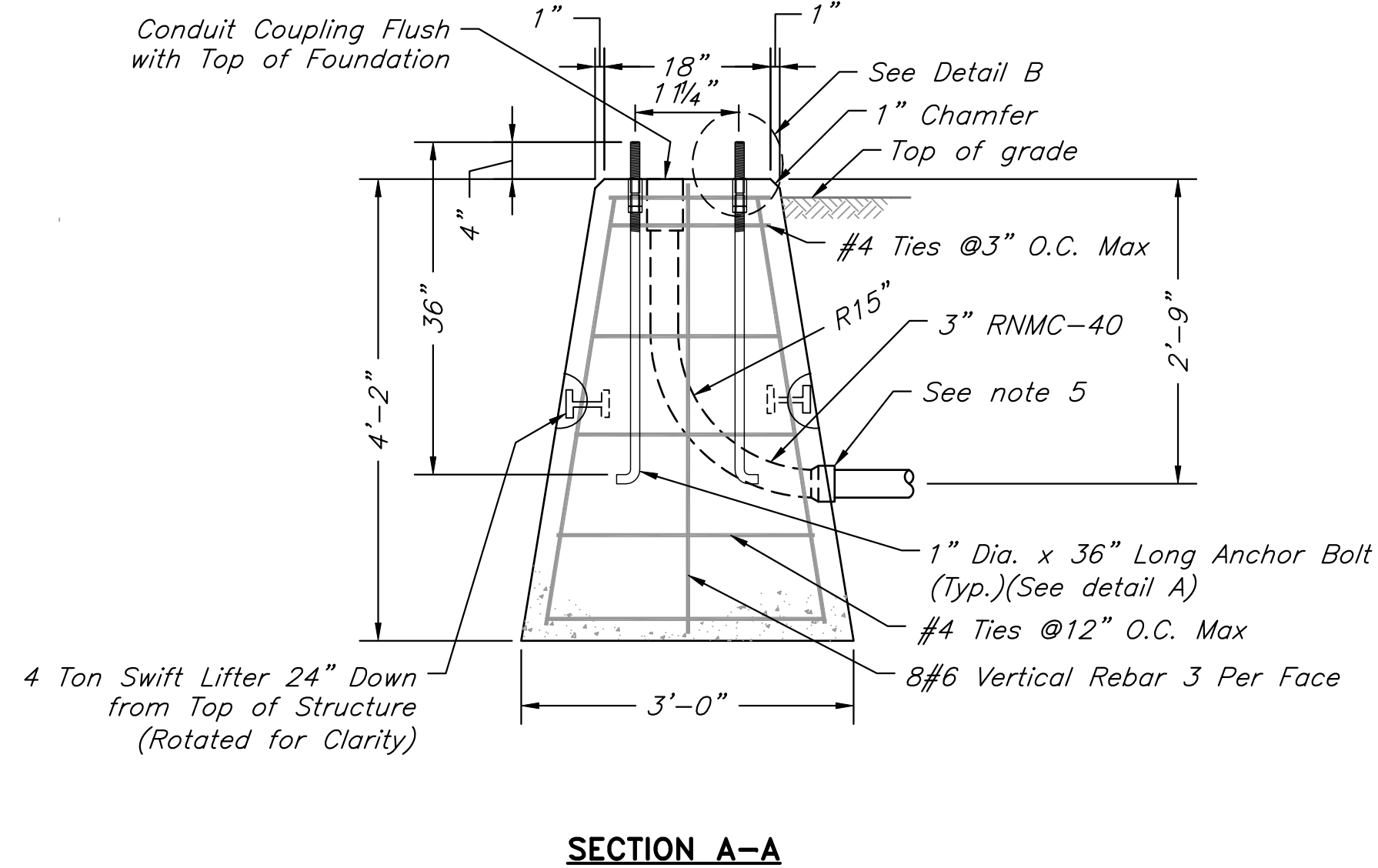


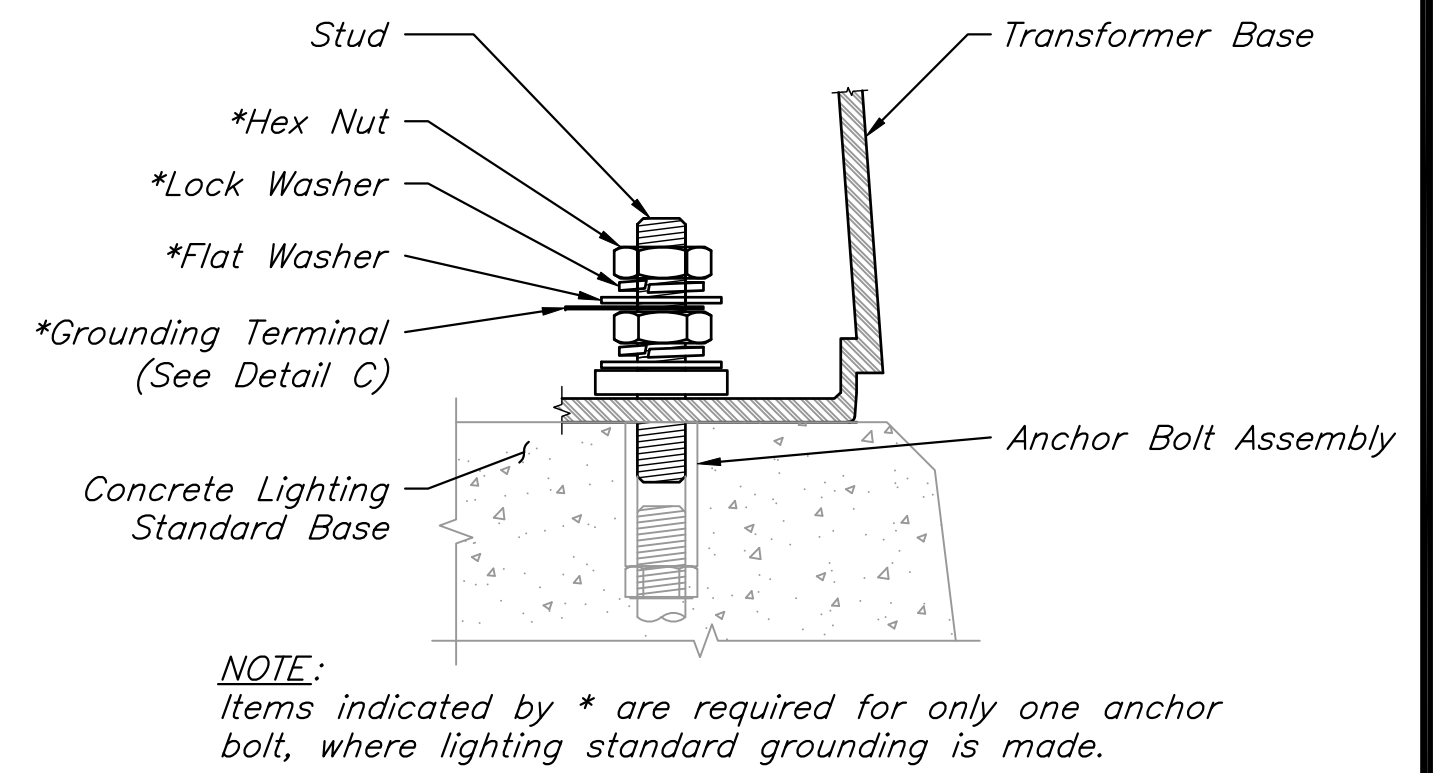
**NOTES**

1. Type I & II Bases are to be used for multiple lighting installations. For series lighting with twin and single arm lighting standard installations, Type II & III Bases shall be used, respectively.
2. Details and dimensions shown apply to all three types of bases, except conduit arrangements, which shall be as indicated in the plan views.
3. Materials Notes:
  - Anchor bolts shall be ASTM A307, Class A.
  - Threading shall be 8 threads per inch, NC Class 2.
  - Hot-dipped Galvanizing shall be as per ASTM A153.
4. Anchor bolt nut shall be installed to prevent the coupling from turning during installation.
5. The rigid nonmetallic conduit shall end with a female thread coupling with its bottom edge about flush with the face of the foundation. The Contractor shall glue a male thread fitting to the conduit coupling to extend the conduit underground where directed in the Plans.
6. For dimensions of lighting hardware such as studs, bolts, washers, etc. shown on this sheet see Standard Drawing E-09.
7. Junction box foundations (E-12) are preferred over concrete bases shown on this sheet. Concrete bases shall be used where junction box foundations would otherwise not fit due to space restrictions such as in between guide rail. Confirm the use of concrete bases with the Authority prior to including in design.
8. Concrete bases shall be constructed with Class C concrete.

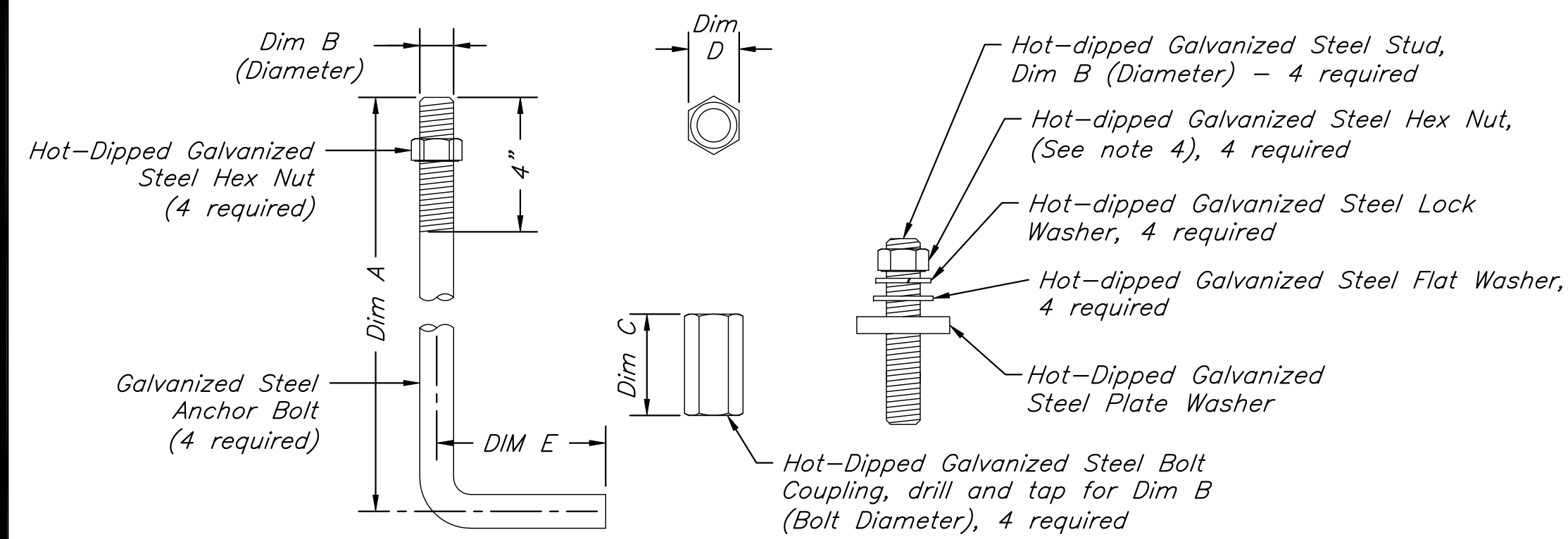


**CONCRETE BASE, TYPE I, II, & III**  
(FOR POLES WITH 15"Ø BOLT CIRCLE)  
Scale: 3/4" = 1'-0"

**CONCRETE BASE, TYPE IV & V**  
(FOR POLES WITH 17 1/4"Ø BOLT CIRCLE)  
Scale: 3/4" = 1'-0"



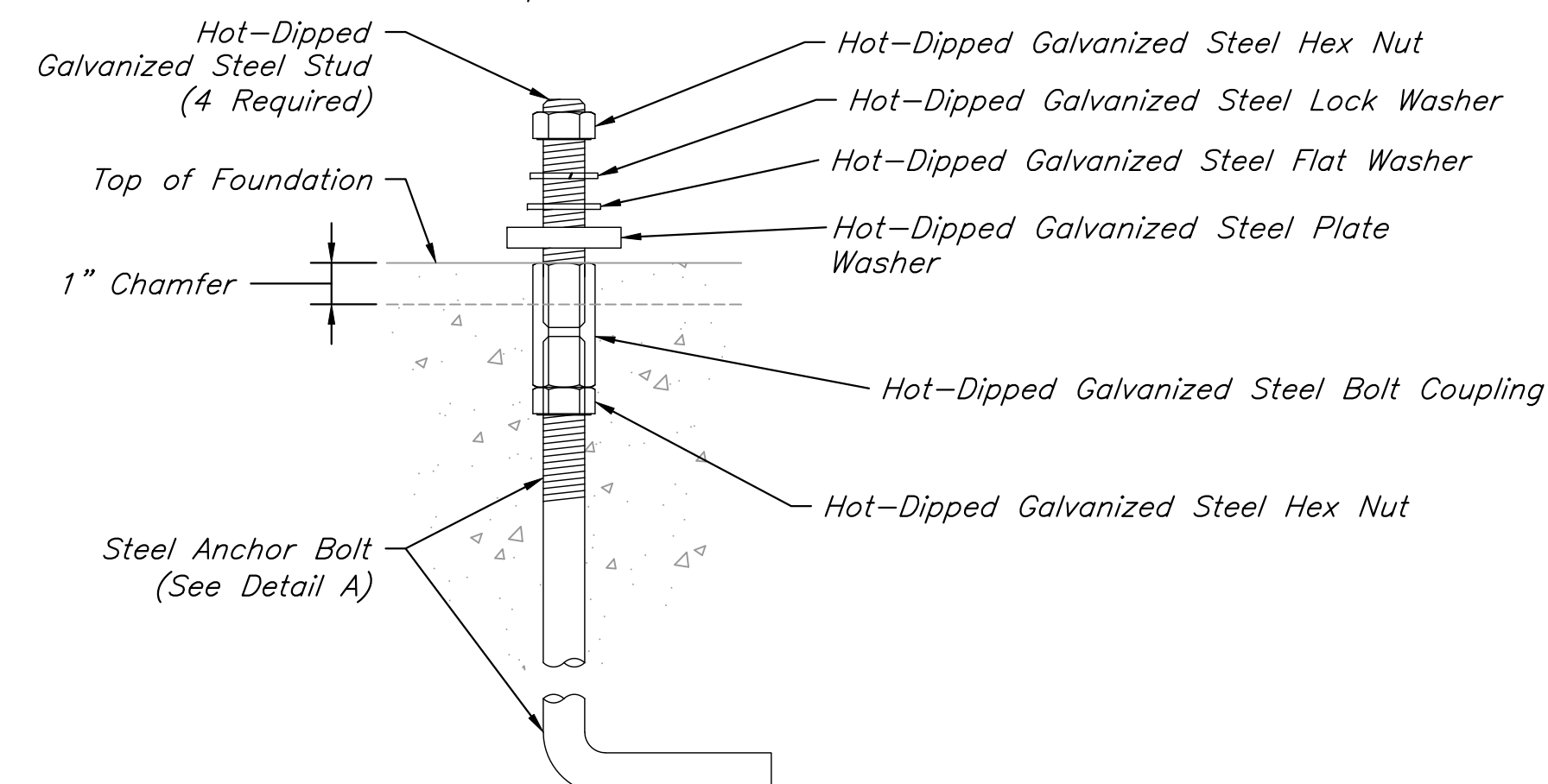
**GROUNDING DETAIL**  
No Scale  
(See note 6)



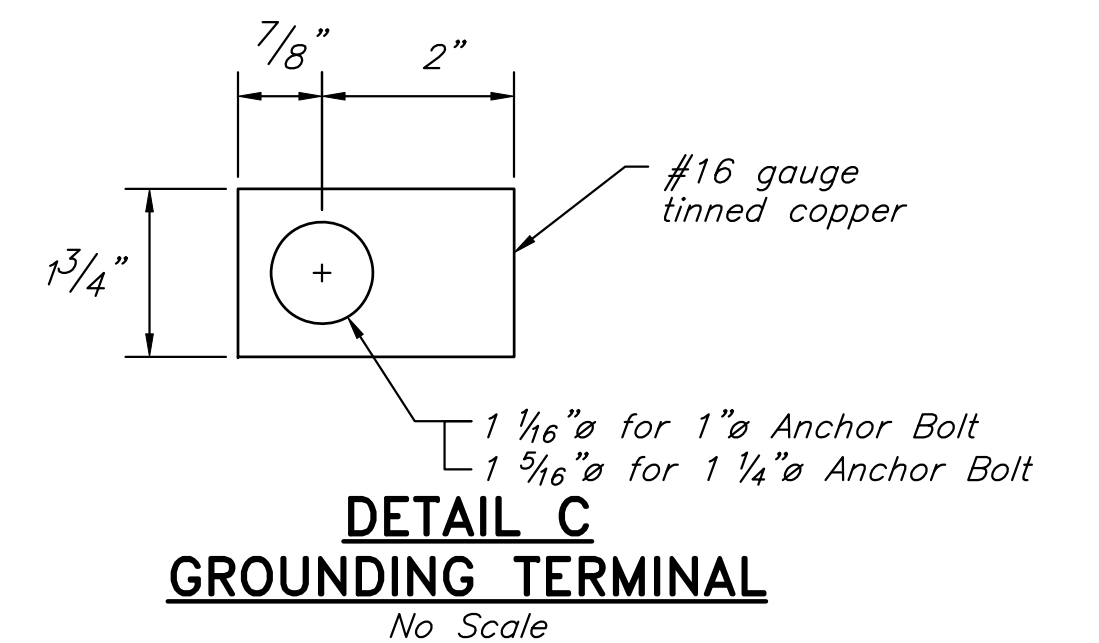
**DETAIL A**  
**ANCHOR BOLT ASSEMBLY**  
No Scale  
(See dimension schedule this sheet and E-09)

ITEM	DIM A	DIM B	DIM C	DIM D	DIM E
Type I, II, & III Concrete Base	3'-0"	1"	3"	1 1/2"	2"
Type IV & V Concrete Base	3'-6"	1 1/4"	3 3/4"	1 13/16"	5"
Type 1 Junction Box Foundation	3'-0"	1"	3"	1 1/2"	2"
Type 2 Junction Box Foundation	3'-6"	1 1/4"	3 3/4"	1 13/16"	5"

**DIMENSION SCHEDULE FOR ANCHOR BOLT ASSEMBLIES**  
(See note 6)



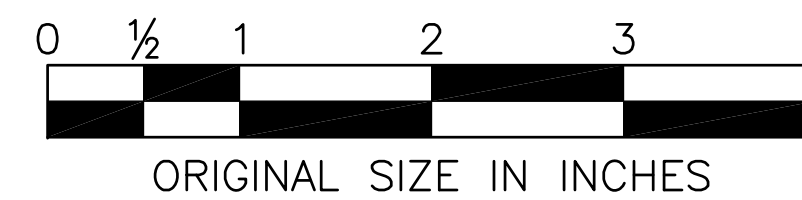
**DETAIL B**  
**ANCHOR BOLT ASSEMBLY**  
Scale: 3" = 1'-0"



**DETAIL C**  
**GROUNDING TERMINAL**  
No Scale

If you use this Standard Drawing:	
You also need	E-09
You may need	E-18, E-19

	BY	DATE
MADE	EMG	05/2009
TRACED	MDC	05/2009
CHECKED	EMG	05/2009
SUPERVISED	ALB	05/2009



APP.	NO.	DATE	REVISION
	0	05/2009	ORIGINAL DRAWING

CONTRACT NO.

SHEET NO.

OF

NEW JERSEY TURNPIKE AUTHORITY  
**NEW JERSEY TURNPIKE**  
LIGHTING STANDARD BASES

**HNTB** 145 RT. 46 WEST, SUITE 400, WAYNE, NJ 07470 - COA# 24GA28000700  
**ANTHONY L. BARTIELLO**  
N.J.P.E. License No. GE 45842

**STANDARD DRAWING**  
E-11