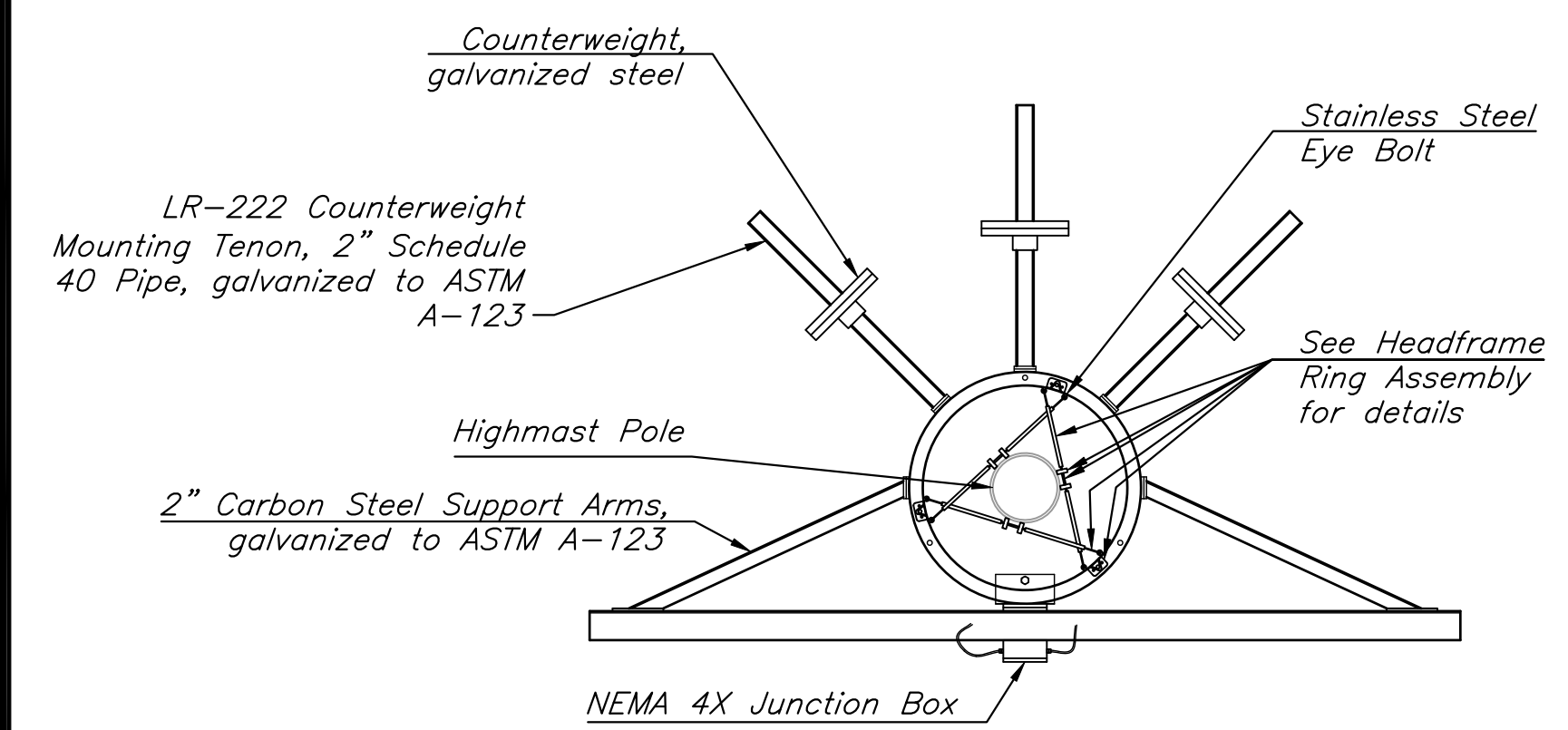
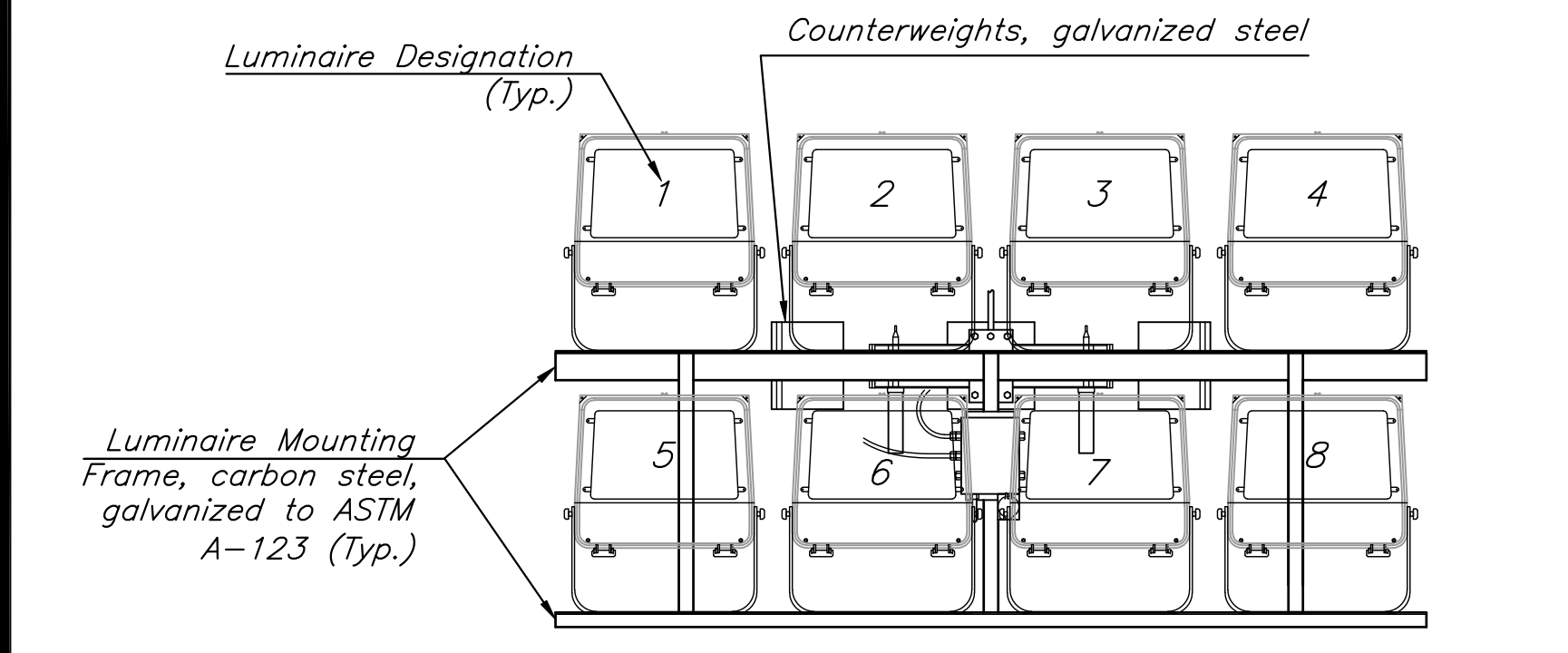


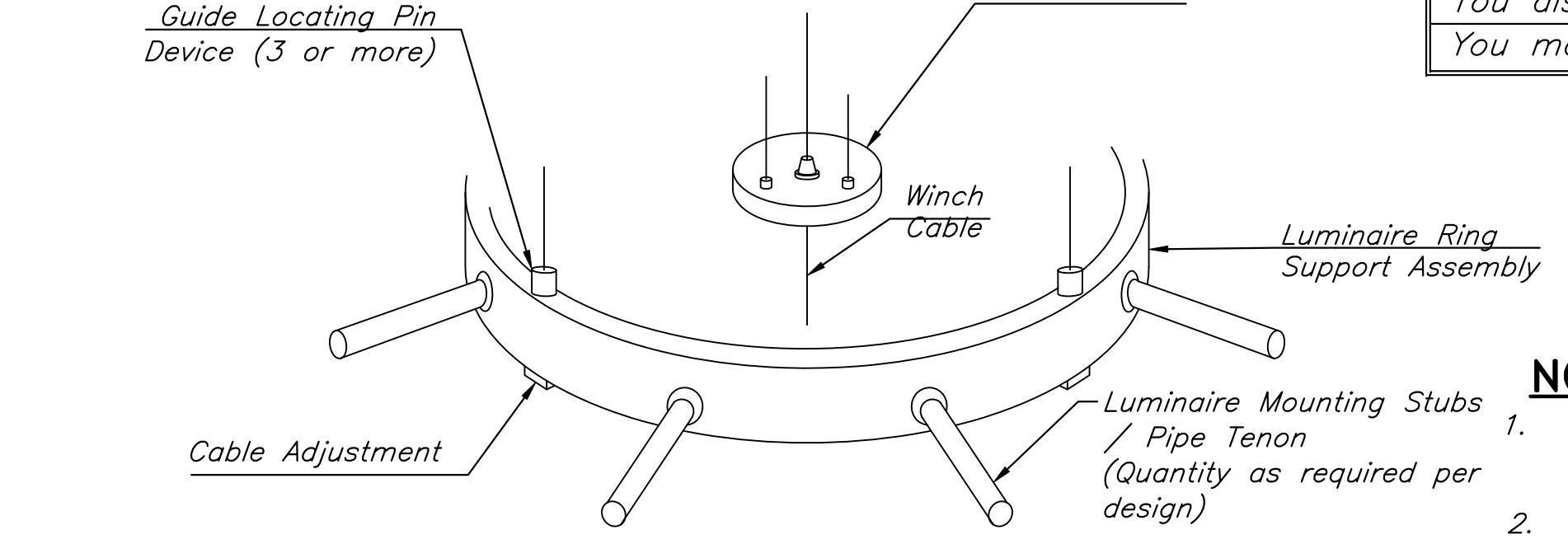
HIGHMAST INSTALLATION DETAILS
(Not To Scale)



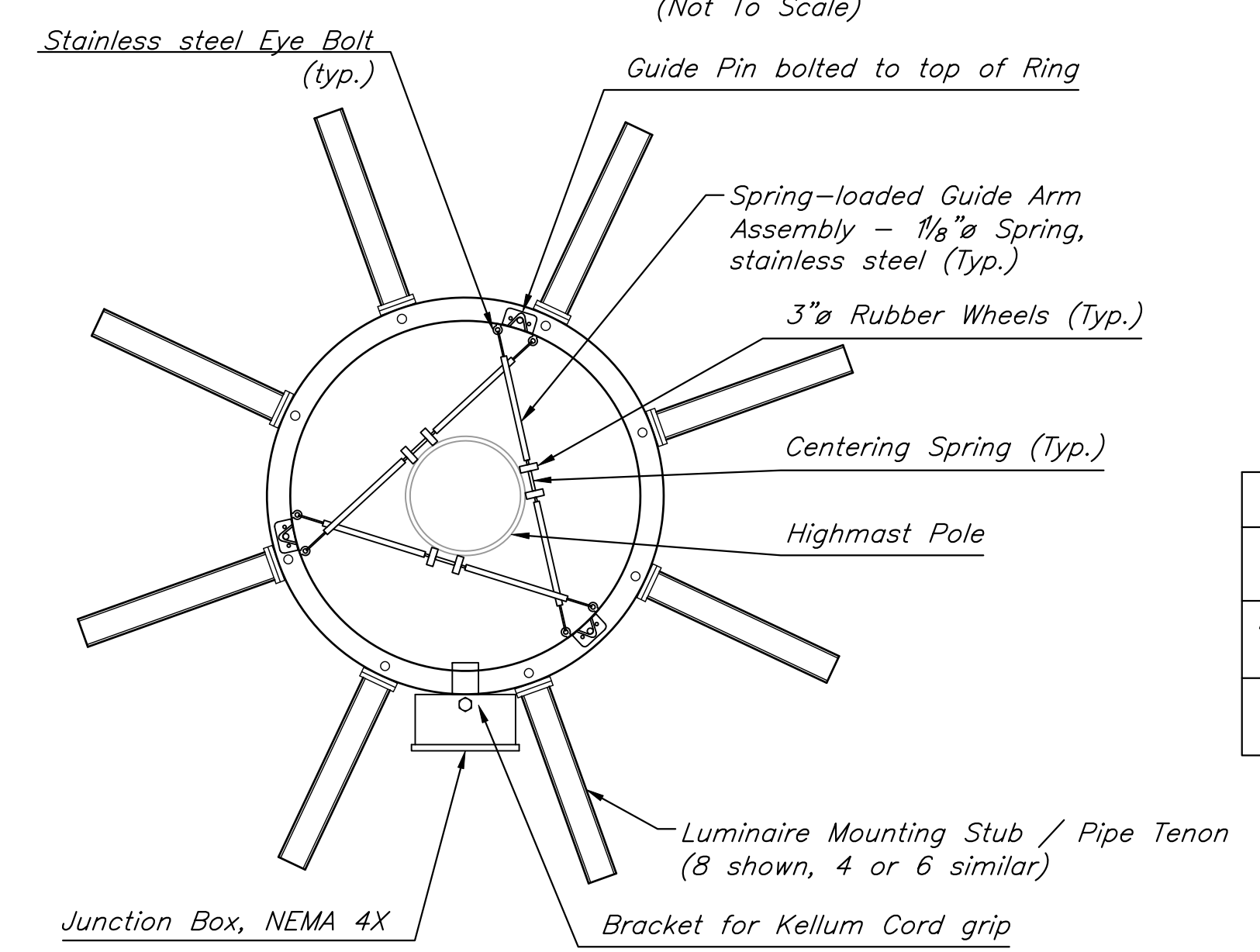
FLOODLIGHT HEADFRAME (FH) ASSEMBLY PLAN
(Not To Scale)



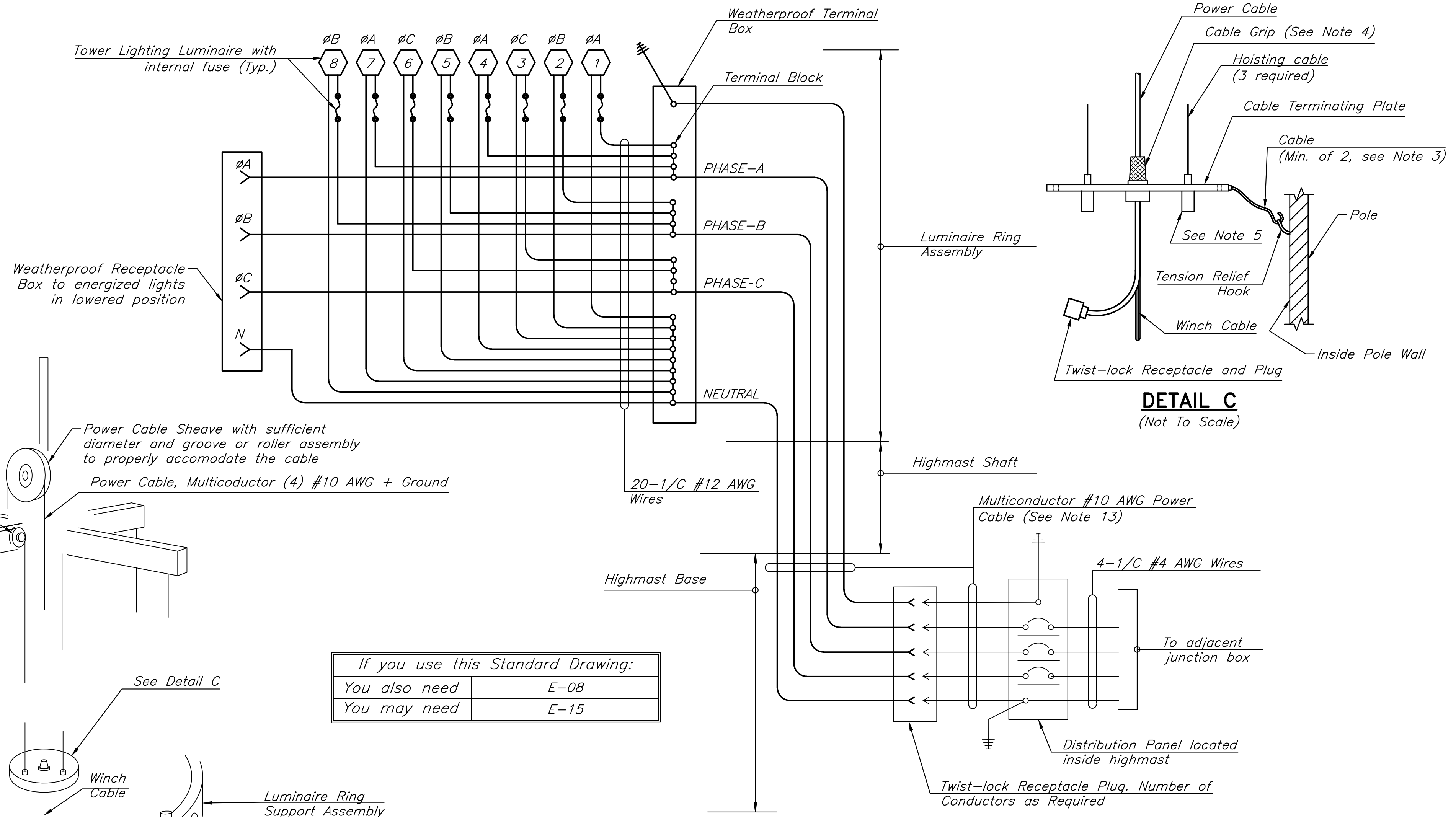
HEADFRAME FLOODLIGHT (HF) ASSEMBLY ELEVATION
(Typical Floodlight Arrangement - Not To Scale)



LUMINAIRE HEADFRAME RING (HR) ASSEMBLY DETAIL
(Not To Scale)



HIGHMAST RING (HR) ASSEMBLY PLAN
(Not To Scale)



TYPICAL HIGHMAST LIGHTING WIRING DIAGRAM
(Not To Scale)

If you use this Standard Drawing:	
You also need	E-08
You may need	E-15

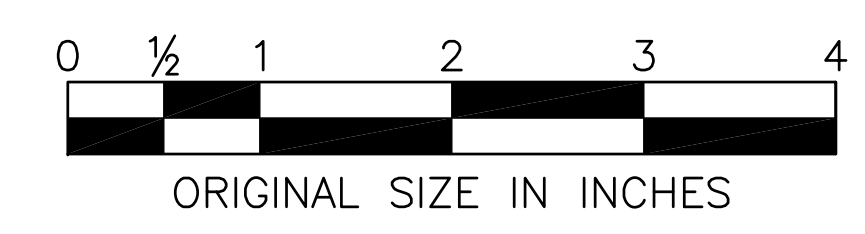
NOTES

- All luminaires shall be installed and oriented as per lighting illumination design and as shown on the Plans.
- One (1) Portable Drive unit with transformer, remote control switch, and all accessories shall be supplied by The Contractor.
- Each Highmast Head Frame shall be bottom-latching type. A bottom locking device shall be furnished and installed to remove tension from the winch.
- The power cable shall be provided with an approved strain relief device.
- Each hoisting cable shall be provided with a spring loaded shock absorber to prevent cable stretch due to movement of the tower when ring is in the upper position.
- There shall be spring-loaded, water-resistant, non-scratching guide arms (min. of 3) to guide the Head Frame and to prevent rotation around Highmast.
- The luminaire ring assembly and support assembly shall be provided with suitable positioning devices. (Minimum of three (3) locating pins.)
- Head assembly shall be furnished with a one-piece spun aluminum anodized cover.
- The only openings on the head assembly shall be the holes through which the luminaire ring hoisting cables and power cable pass.
- All cables shall be adjusted from the access door.
- Each highmast shall be installed with a lightning rod at the top.
- Lighting levels shall meet all NJTA Roadway Lighting Design Requirements and Illumination Levels.
- Wire sizes shown for typical 8-luminaire, 277 Volt operation. For other voltages and luminaire quantities, wire size shall be modified to maintain voltage drop between Main Distribution Panel (service) and luminaires at a maximum of 3%.
- Ground rods shall be installed in accordance with NEC Section 250.

HIGHMAST No. ____										
Luminaire Designation	1	2	3	4	5	6	7	8	9	10
Horizontal Angle (Degrees)										
Vertical Tilt (Degrees)										

NOTE: Aiming angles are respective to the face of the Head Frame, which shall be perpendicular to the curbline or shoulder

HIGHMAST FLOODLIGHT AIMING TABLE



BY	EMG	DATE	05/2009
TRACED	MDC	DATE	05/2009
CHECKED	EMG	DATE	05/2009
SUPERVISED	ALB	DATE	05/2009

NEW JERSEY TURNPIKE AUTHORITY
NEW JERSEY TURNPIKE
HIGHMAST LIGHTING STANDARD
DETAILS - 2

HNTB 145 RT. 46 WEST, SUITE 400,
WAYNE, NJ 07470 - CO# 24G28000700
ANTHONY L. BARTELLO
N.J.P.E. License No. GE 45842

STANDARD DRAWING
E-07

APP.	NO.	DATE	REVISION
	0	05/2009	ORIGINAL DRAWING