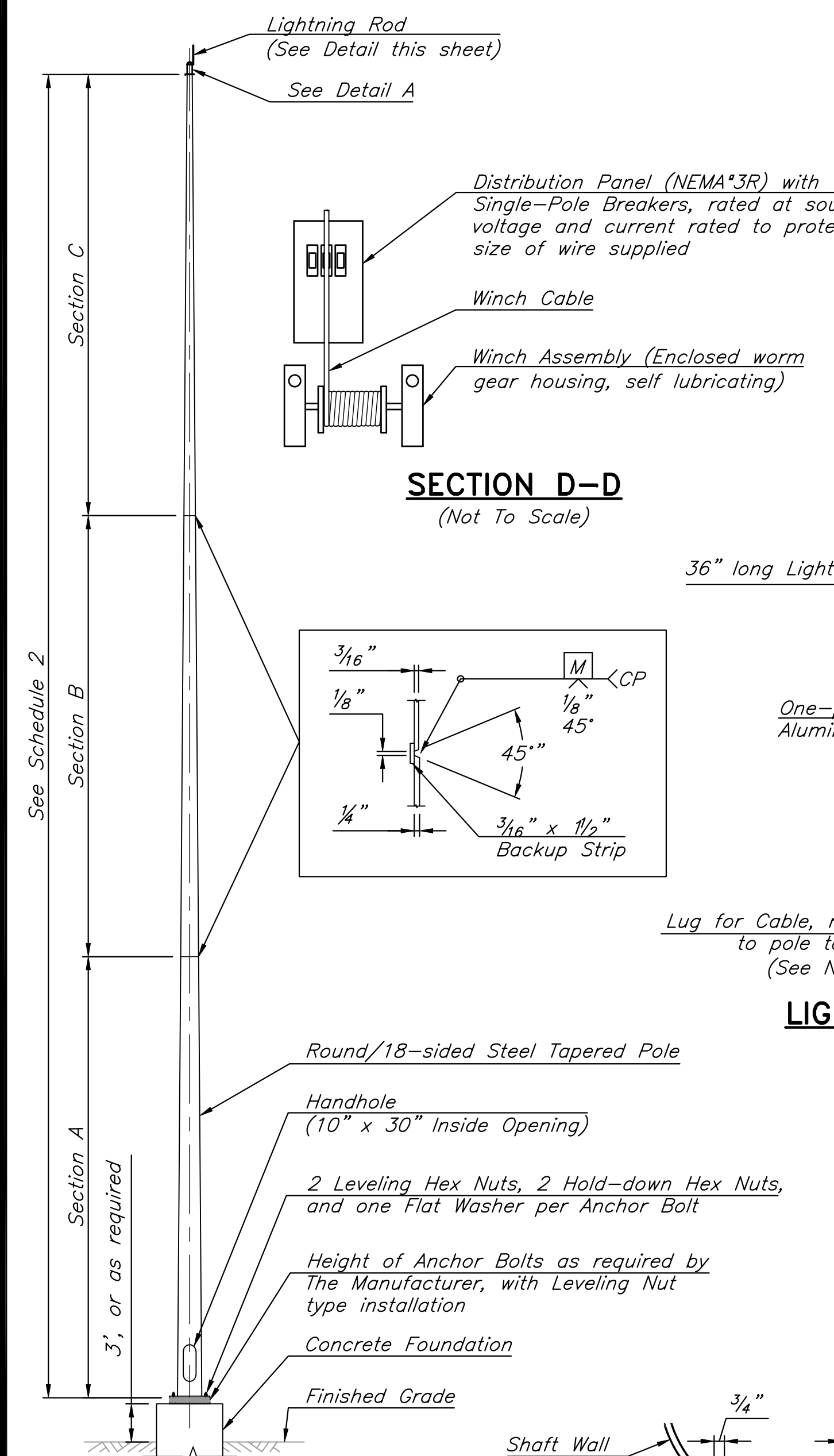


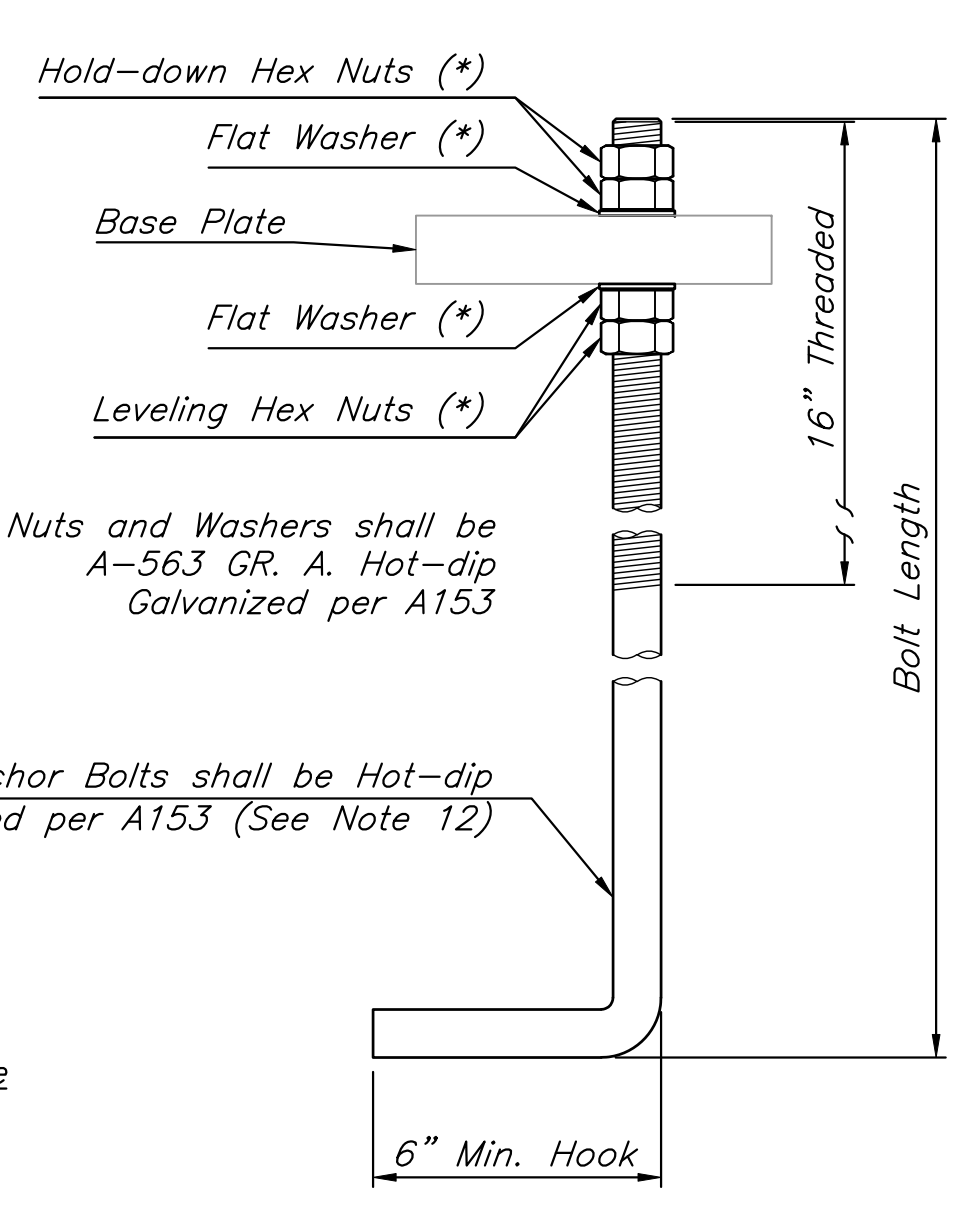
SCHEDULE 6.1													
HIGHMAST LIGHTING STD.		SHAFT DIMENSIONS				ANCHOR BOLTS			BASE PLATE				
TYPES	HEIGHT	SECTION	BOTTOM O.D.	TOP O.D.	LENGTH	WALL THICKNESS	QUAN.	DIA.	LENGTH	DIA.	BOLT CIRCLE	BOLT PROJ.	
L-HR#-60 L-HF#-60	60'	A	17.20"	11.70"	31.75'	0.25"	6	1.50"	54" +6"	27.50"	23.00"	1.00"	7.00"
		B	12.50"	7.30"	30.00'	0.25"							
L-HR#-80 L-HF#-80	80'	A	20.65"	11.70"	51.75'	0.25"	6	1.50"	84" +6"	30.50"	26.00"	1.00"	7.00"
		B	12.50"	7.30"	30.00'	0.255"							
L-HR#-100 L-HF#-100	100'	A	23.70"	17.30"	37.00'	0.25"	6	1.75"	84" +6"	34.50"	29.00"	1.50"	8.50"
		B	18.07"	16.67"	37.00'	0.25"							
		C	12.50"	7.30"	30.00'	0.25"							
L-HR#-120 L-HF#-120	120'	A	26.50"	21.07"	30.14'	0.313"	8	2.00"	120" +6"	37.00"	32.00"	3.00"	10.00"
		B	22.08"	13.58"	47.24'	0.188"							
		C	14.14"	5.65"	48.67'	0.188"							



SECTION B-B
Scale: 1 1/2" = 1'-0"

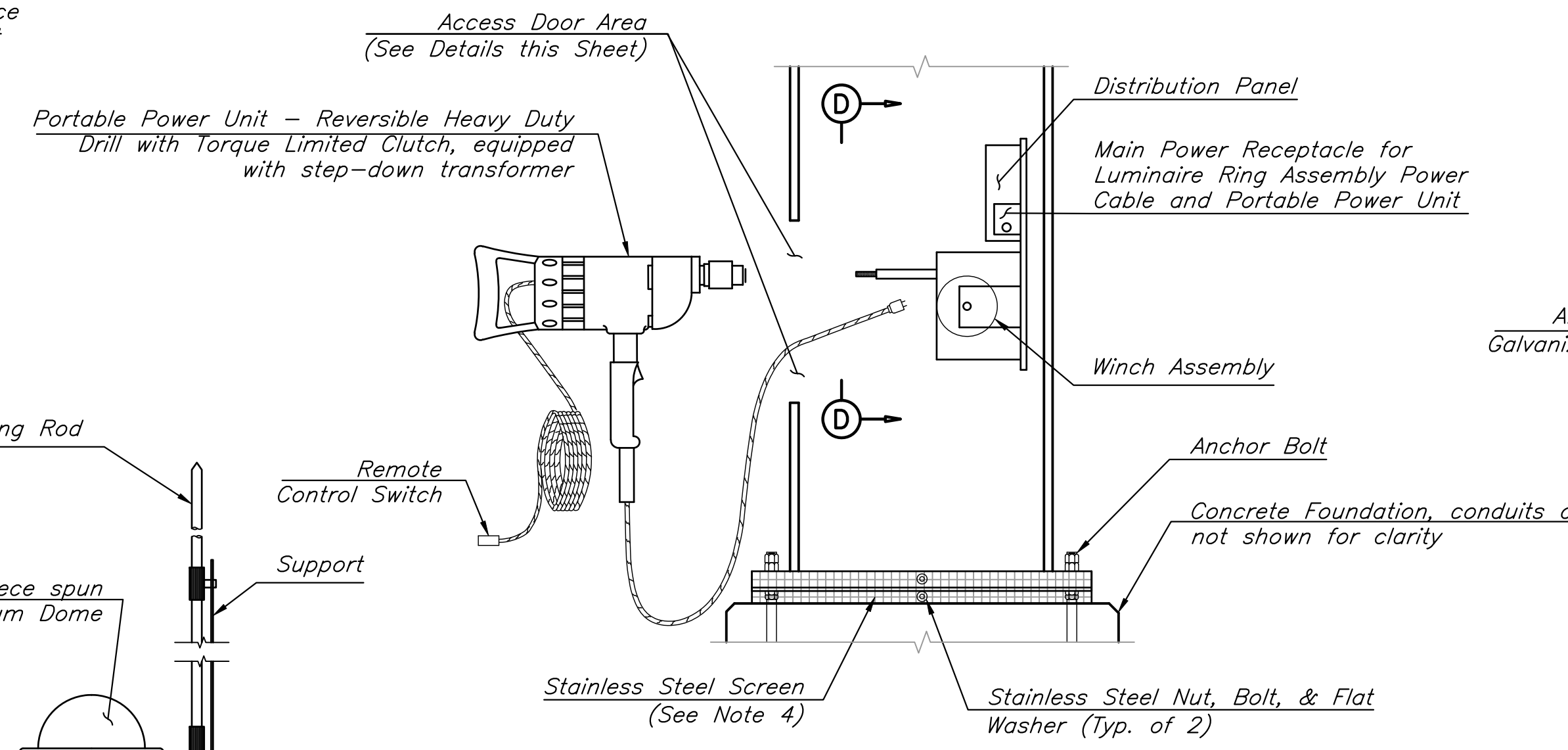
DETAIL A
Scale: 1" = 1'-0"

BASE PLATE AND HANDHOLE DETAILS
Scale: 1 1/2" = 1'-0"

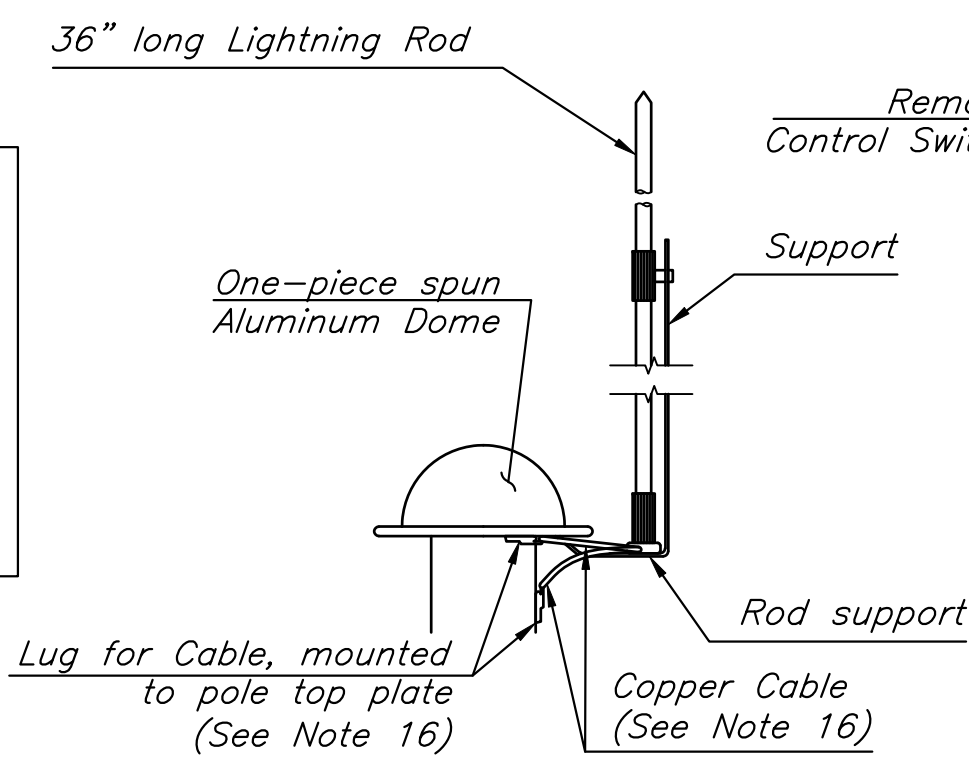


ANCHOR BOLT DETAIL
(Not To Scale)

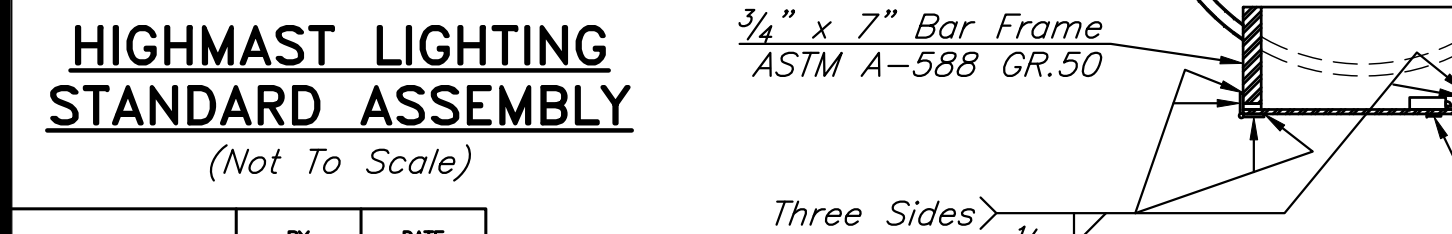
- NOTES**
- All Highmast Poles shall be designed and fabricated to adequately support the weight of twelve (12) Luminaires, Head Frame or Ring Assembly, projected area, and to withstand 110 MPH Wind Velocity with 1.3 Gust Factor. The Manufacturer shall furnish certification that highmast poles are to be manufactured in accordance with current AASHTO Standard Specifications for Structural Supports for Highway Signs, Luminaires, and Traffic Signals.
 - Lock shall be Sub-Treasury Lock No.03575 and keyed alike for Key No.5, available from the American Hardware Co. of New Britain, CT., or a Tumbler Lock Co. No.15481 ARS and keyed alike for Key No.2, available from Corbin Lock Co. of New Britain, CT.
 - Details are schematic. Modifications are permitted. All highmast lighting equipment shall be approved by The Engineer through the Shop Drawing process prior to ordering, fabrication, or acceptance of any Highmast installation.
 - A stainless steel screen, double-wrapped around the base of the pole is required. The stainless screen shall have no more than 1/2" openings, and shall be held together with stainless steel nuts, bolts, and flat washers.
 - All welding shall be done with E-80T-1 Wire.
 - Pole shall be fabricated from high-strength, low-alloy steel conforming to ASTM A572, Grade 65. The pole finish shall be hot-dip galvanized per ASTM A-123.
 - Slip Joints are not permitted in the manufacture of the pole.
 - Bolt heads and nuts shall be hexagonal.
 - Grouting under the pole is not permitted.
 - Manufacturer shall determine the proper length to provide a positive seat of the head frame assembly.
 - Each pole section shall have only one longitudinal seam.
 - Anchor bolt material shall be ASTM A36, M55, with a 55,000 yield min.
 - The Manufacturer shall supply all other hardware which is necessary to install the highmast assembly on foundation.
 - Highmast Lighting Standards shall be used only where approved in advance of design by the Authority.
 - All stainless steel hardware shall be Type 304.
 - The lightning rod shall be attached to the pole with a grounding lug either underneath the pole top dome or directly to the pole shaft. When connected to the pole shaft the grounding lug shall be welded to the pole. Copper cable connecting the rod to the pole shall be bare-copper.



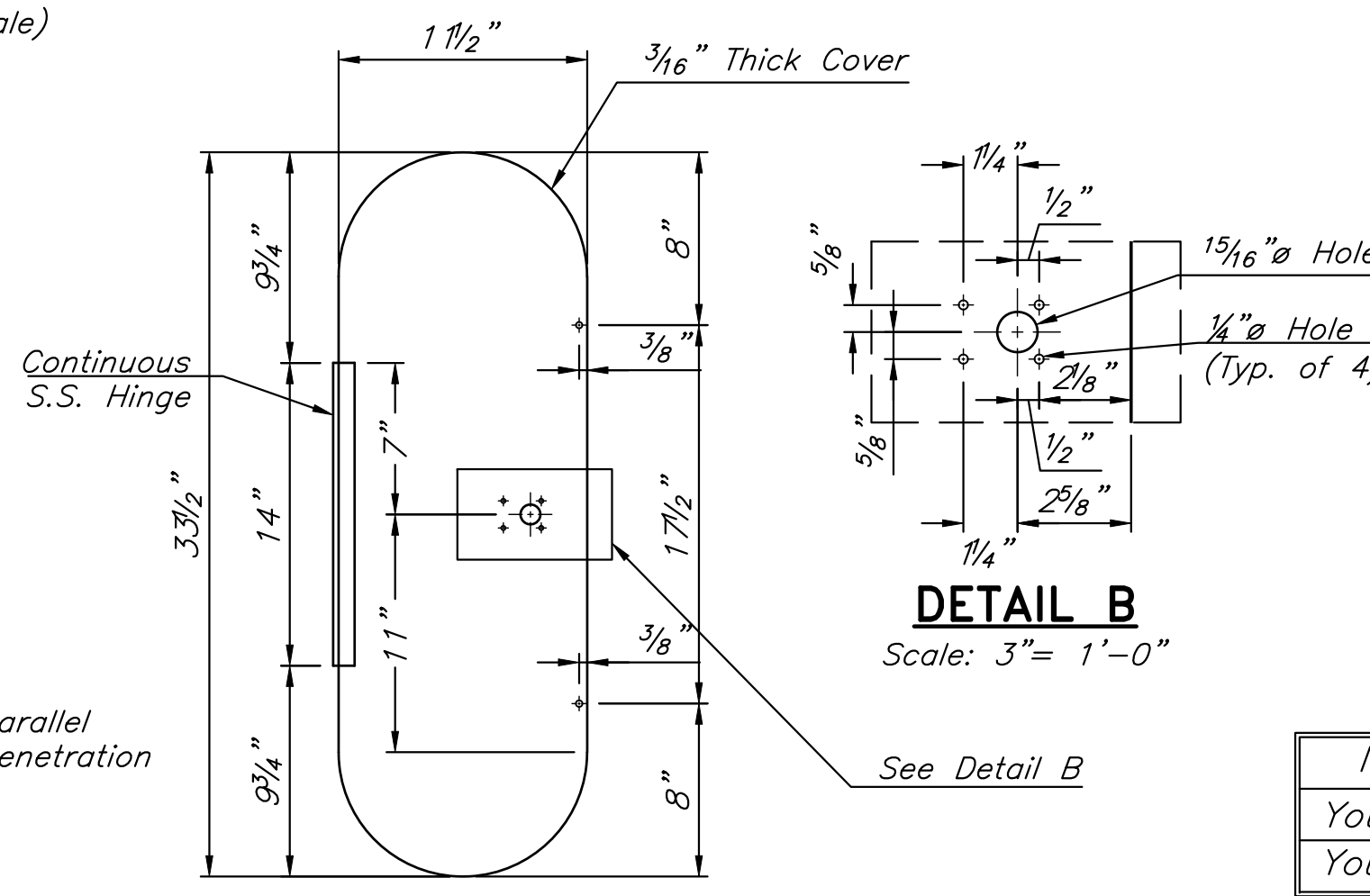
HIGHMAST BASE DETAIL
(Not To Scale)



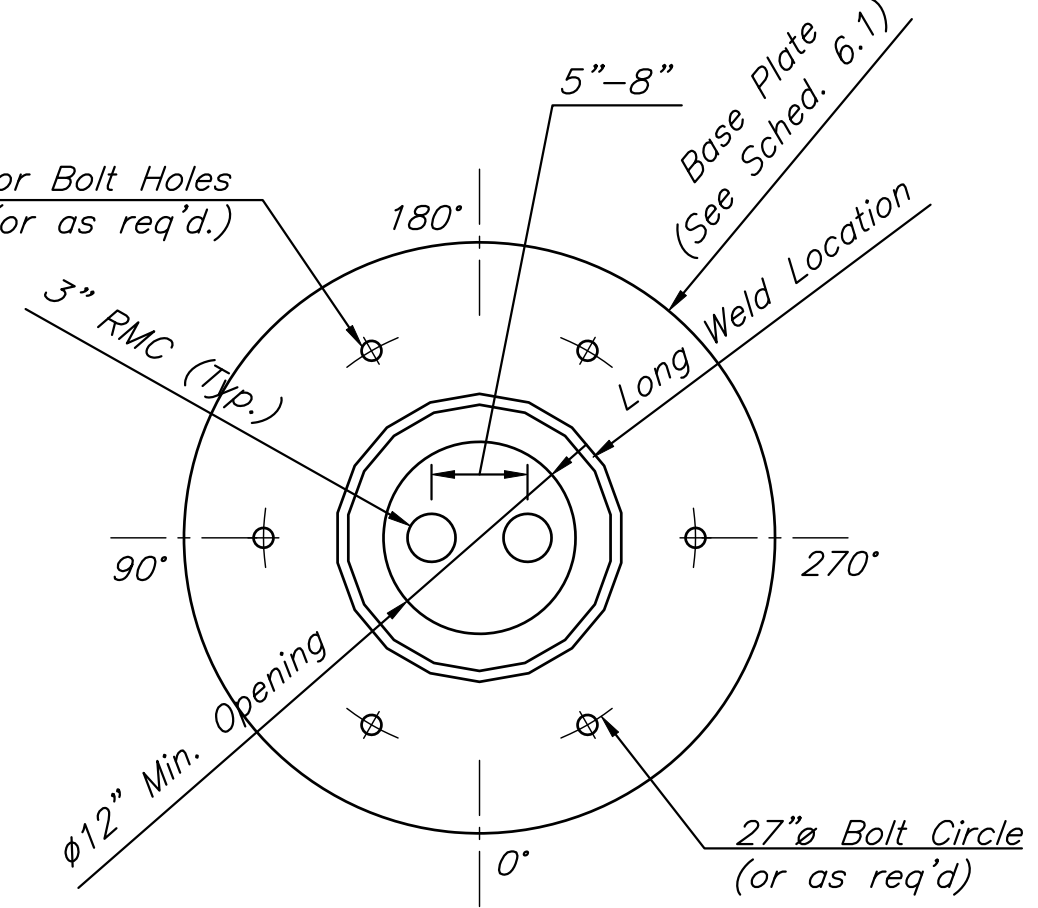
LIGHTNING ROD DETAIL
(Not To Scale)



HIGHMAST LIGHTING STANDARD ASSEMBLY
(Not To Scale)



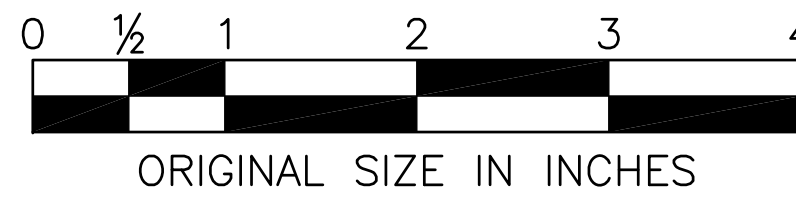
HINGED HANDHOLE COVER DETAIL
Scale: 1 1/2" = 1'-0"



SECTION A-A
Scale: 1" = 1'-0"

MADE	EMG	05/2009
TRACED	MDC	05/2009
CHECKED	EMG	05/2009
SUPERVISED	ALB	05/2009

If you use this Standard Drawing:	
You also need	E-08
You may need	E-15



APP.	NO.	DATE	REVISION
	0	05/2009	ORIGINAL DRAWING

NEW JERSEY TURNPIKE AUTHORITY
NEW JERSEY TURNPIKE
HIGHMAST LIGHTING STANDARD
DETAILS - 1

HNTB 145 RT. 46 WEST, SUITE 400, WAYNE, NJ 07470 - CDA# 24028000700
ANTHONY L. BARTELLO
N.J.P.E. License No. GE 45842

STANDARD DRAWING
E-06