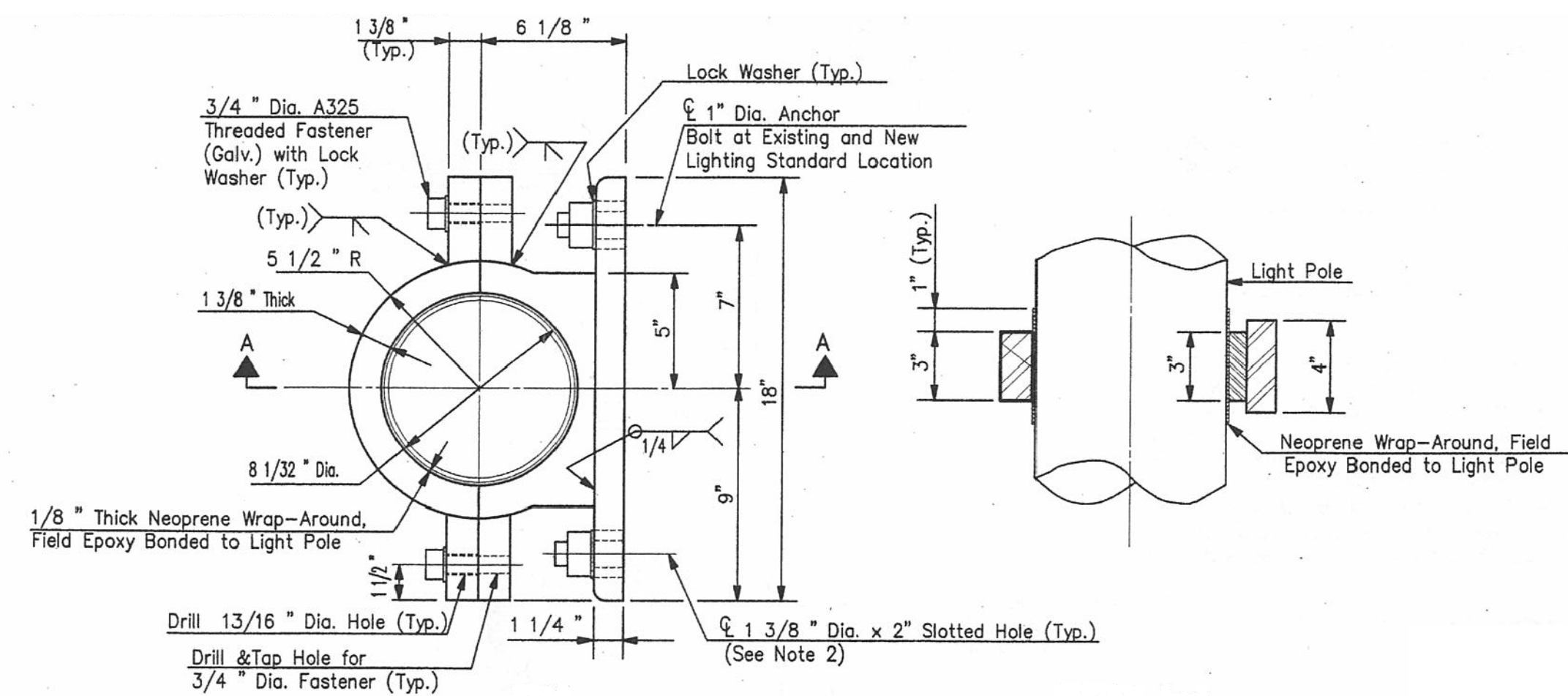
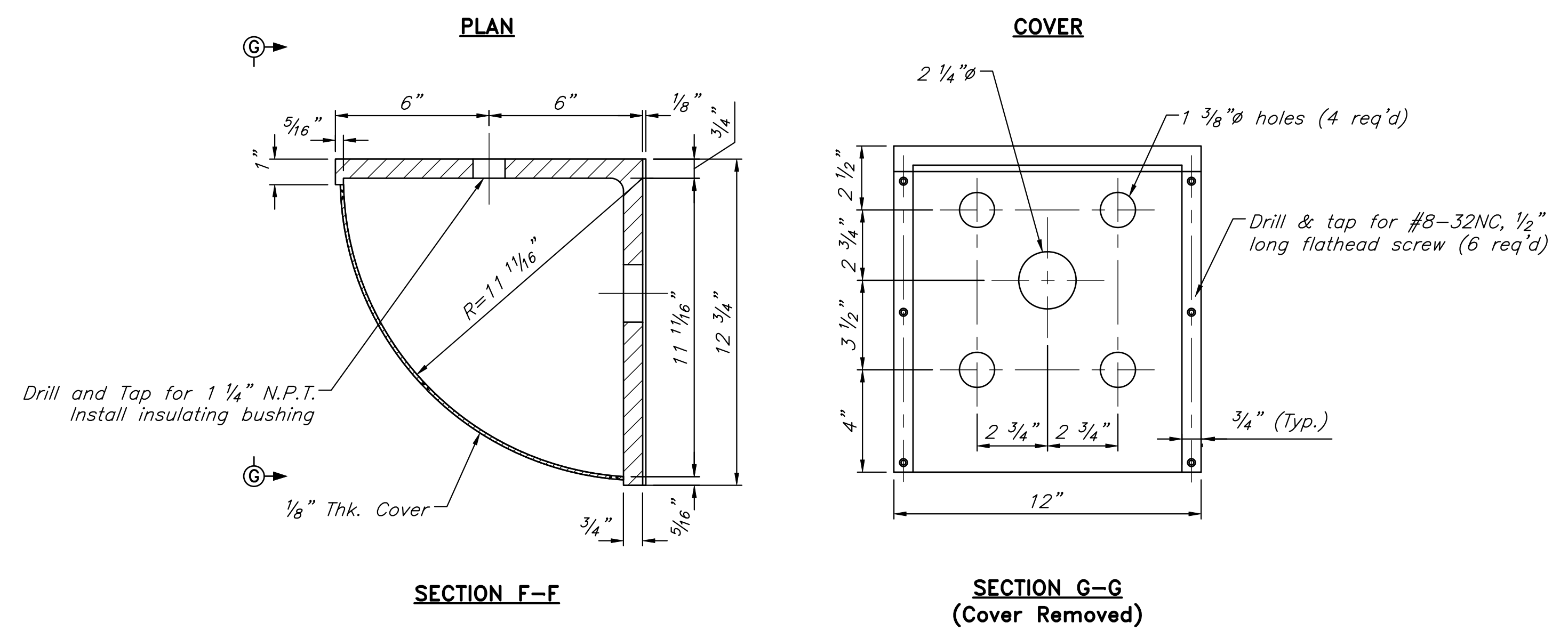


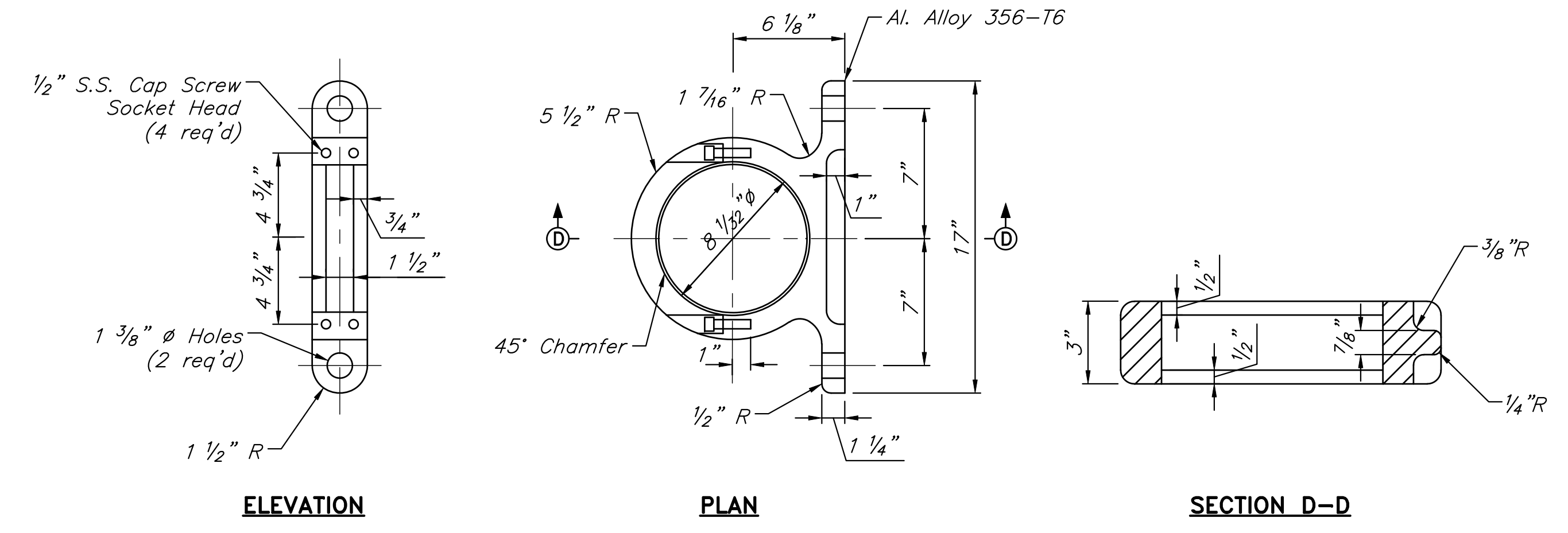
UPPER BRACKET - FABRICATED
N.T.S.



UPPER BRACKET - CAST MOLDED
N.T.S.



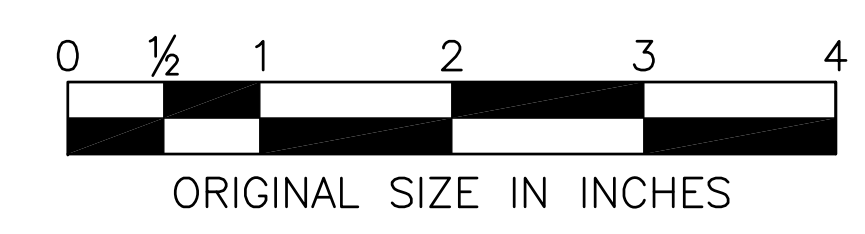
LOWER BRACKET
LIGHTING STANDARD MOUNTING BRACKET DETAILS
N.T.S.



UPPER BRACKET - CAST MOLDED
N.T.S.

- NOTES**
- Upper and lower bracket shall conform to AASHTO M270 (ASTM A709), Grade 50 and shall be hot-dipped galvanized after fabrication per AASHTO M111 (ASTM A123).
 - 1 3/8" x 2" slotted holes required on brackets for lighting locations within the proposed lowering only.
 - Neoprene wrap around shall be shore A 50 durometer hardness.

MADE	EMG	05/2009
TRACED	MDC	05/2009
CHECKED	EMG	05/2009
SUPERVISED	ALB	05/2009



If you use this Standard Drawing:	
You also need	ER-06
You may need	ER-01

APP.	NO.	DATE	REVISION
	0	05/2009	ORIGINAL DRAWING

ELECTRICAL RETROFIT
NEW JERSEY TURNPIKE AUTHORITY
NEW JERSEY TURNPIKE
PARAPET MOUNTING BRACKET DETAILS

HNTB 145 RT. 46 WEST, SUITE 400, WAYNE, NJ 07470 - COA# 24G28000700
ANTHONY L. BARTELLO
N.J.P.E. License No. GE 45842

STANDARD DRAWING
ER-07