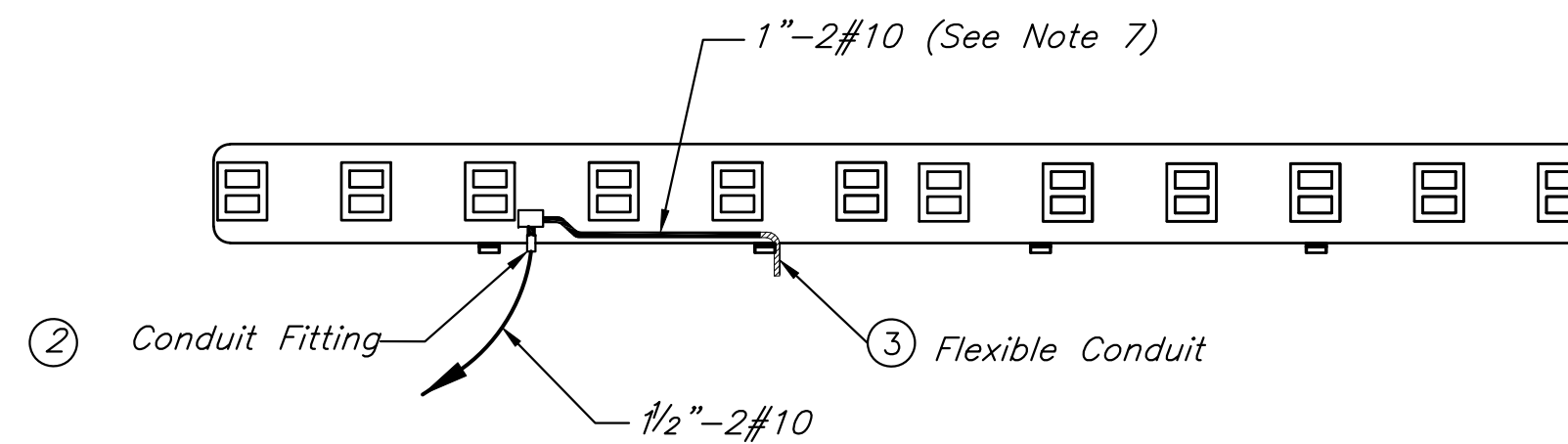
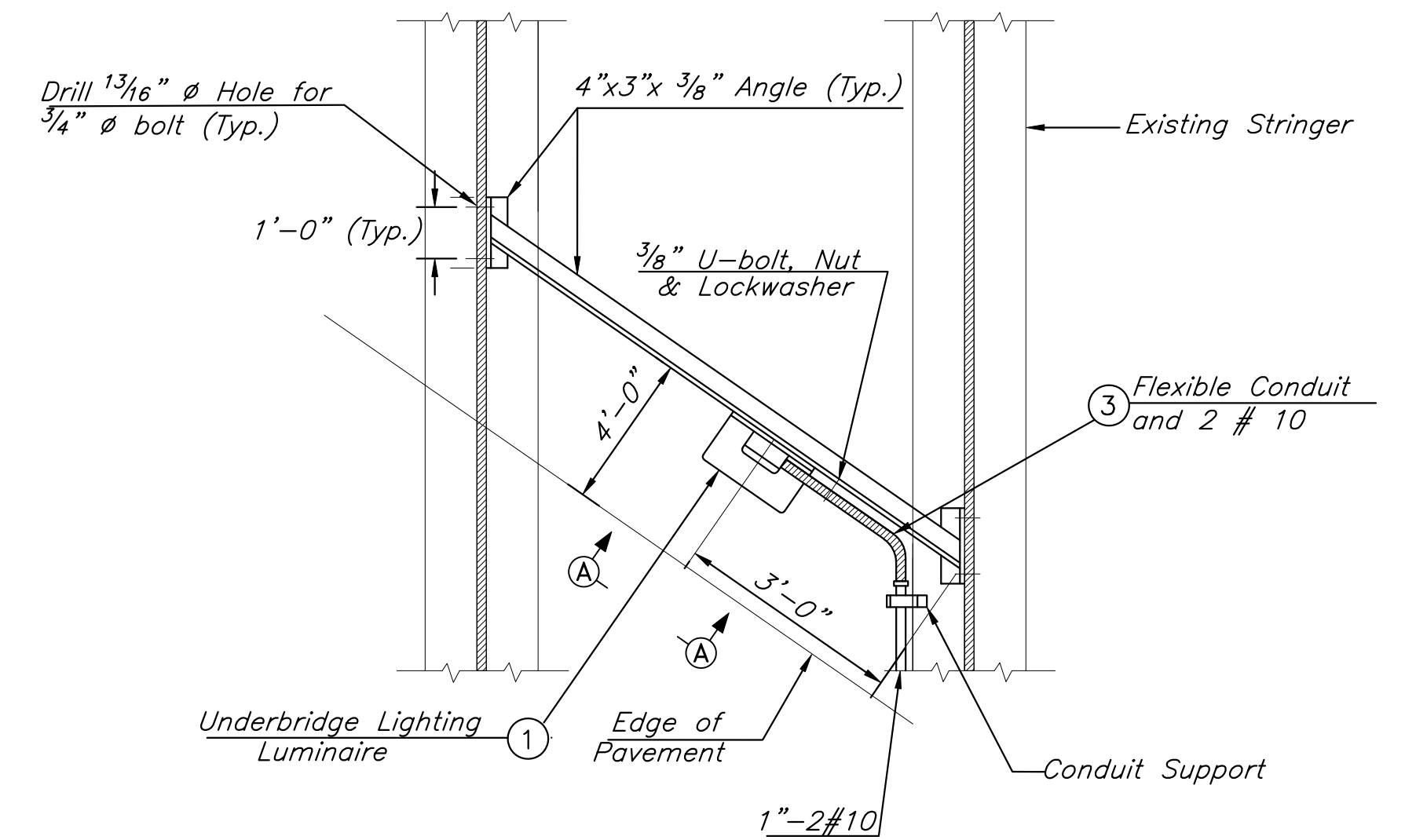


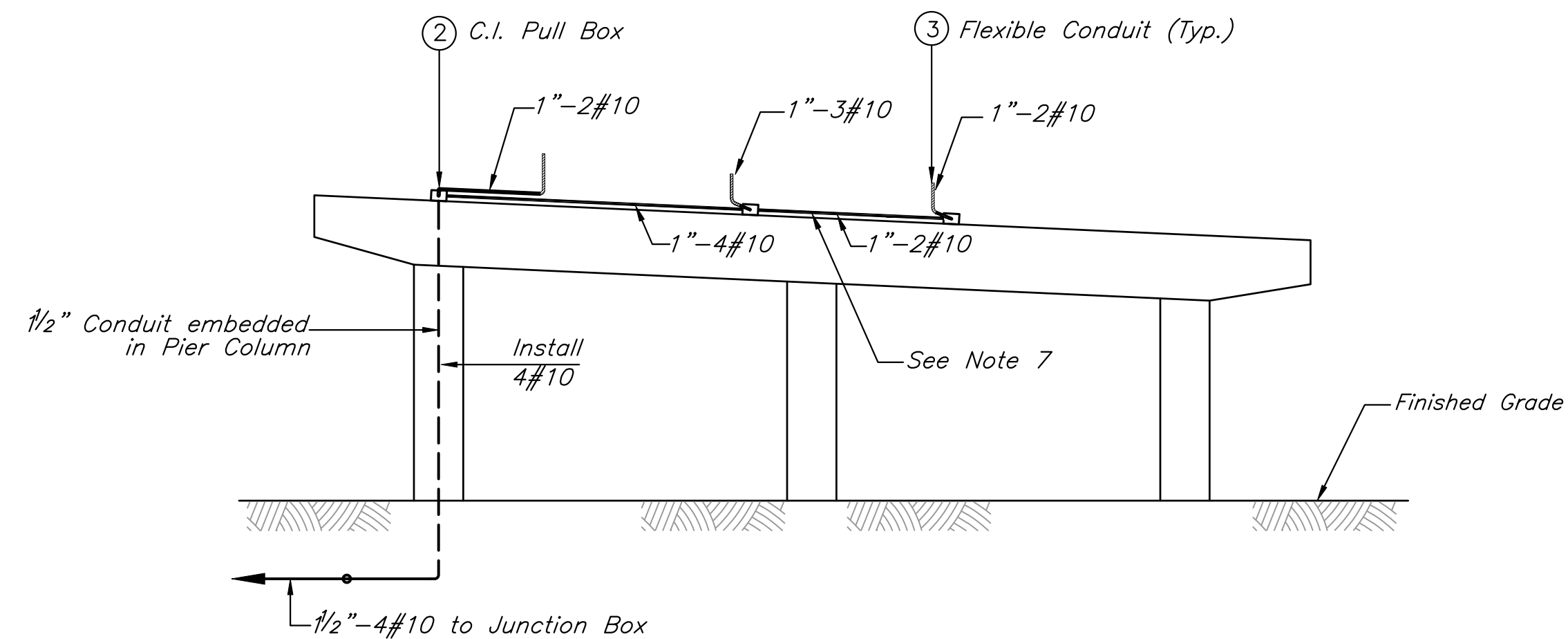
**WALL MOUNTED LIGHTING LUMINAIRE
DETAIL TYPE W**



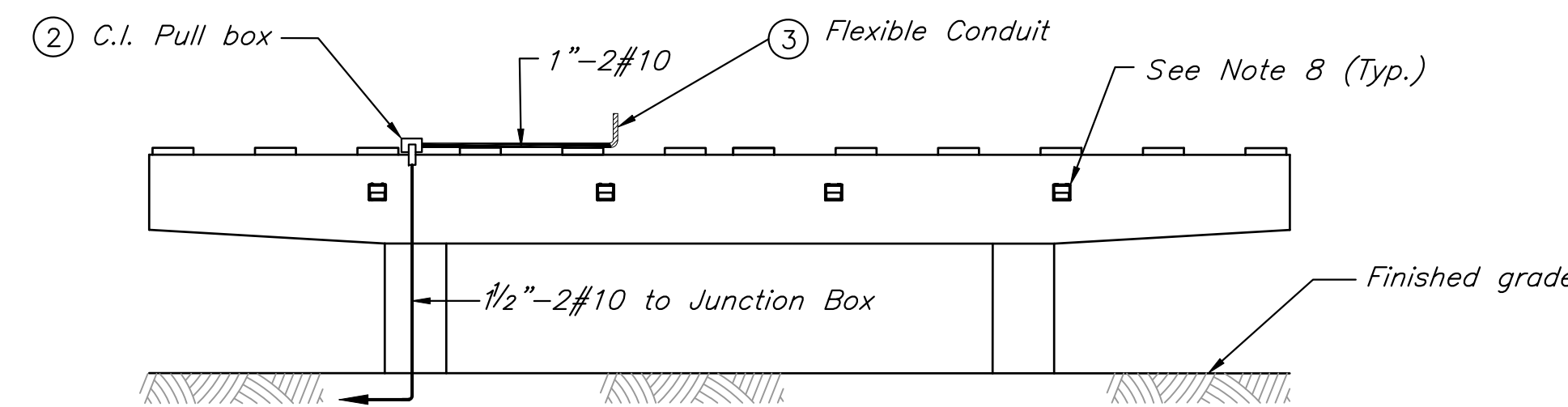
PLAN 1
Scale: 3/32" = 1'-0"



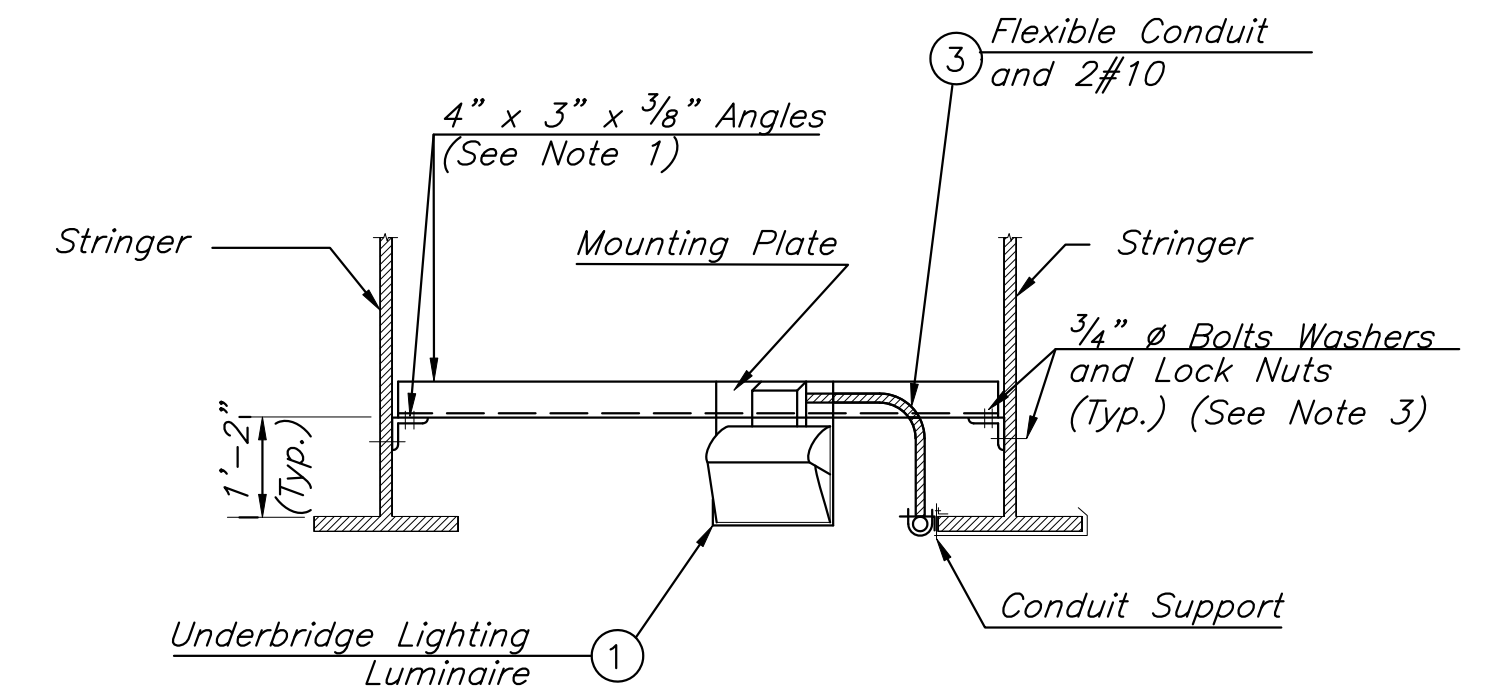
**STRUCTURAL LUMINAIRE INSTALLATION
DETAIL TYPE S**
Scale: None



PIER ELEVATION 2
Scale: 1/8" = 1'-0"
(Installation of Pier 3 is similar to above)



PIER ELEVATION 1
Scale: 3/32" = 1'-0"



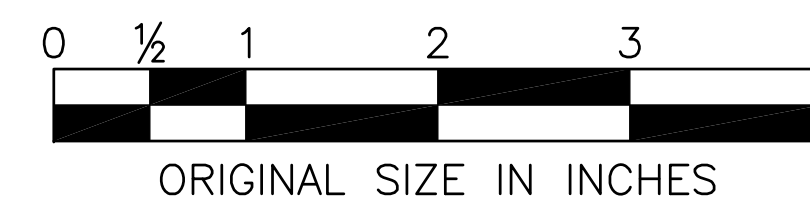
SECTION A-A
Scale: None

- NOTES**
- Structural steel members shall conform to ASTM designation A588.
 - All structural steel parts of the conduit support assembly shall conform to ASTM designation A588. All bolts, nuts and washers shall be of galvanized carbon steel conforming to ASTM designations A307 and A153.
 - All bolts, nuts and washers shall be of high strength steel, conforming to ASTM designation A325, Type3.
 - Shown detail is based on Holophane Wallpack IV luminaire. Modifications may be required if other approved luminaire is used.
 - Underbridge lighting feeder shall be fused in concrete junction box or junction box foundation.
 - Provide weep holes in low points of all conduit runs, conduit fittings, or cast iron pull boxes.
 - Conduit to be fastened to top of pier with clamp and clampback by means of 3/8" - 2 unit expansion anchor bolts, spaced 5'-0" max. Conduit to be placed, as directed by the engineer.
 - Mount luminaires as shown in the Plans. Conduit routing shown for Type S luminaire, but conduit routing will vary for installation of Type W luminaire.

LIST OF MATERIAL

- Underbridge Lighting Luminaire** : Integral ballast, HID type. (See Specifications and approved list of luminaires)
- Cast Iron Pull Box** : 8" x 8" x 6" H.D. galvanized, equipment with gasket, mounting lugs, bosses (as required) and shall be equal to OZ Cat. no. YS080806.
- Flexible Conduit** : 1" size and minimum of 12" long. (See Specifications).
- Conduit Fitting** : Equal to Crouse-Hinds Co's Type LB conduit with gasket and feraloy covers, where shown and/or as directed by the engineer.

If you use this DWG:	
You also need	E-09
You may need	E-08, E-29



APP.	NO.	DATE	REVISION
	0	05/2009	ORIGINAL DRAWING

NEW JERSEY TURNPIKE AUTHORITY NEW JERSEY TURNPIKE	
UNDERBRIDGE LIGHTING DETAILS	
HNTB 145 RT. 46 WEST, SUITE 400, WAYNE, NJ 07470 - CO# 24G28000700 ANTHONY L. BARTELLO N.J.P.E. License No. GE 45842	STANDARD DRAWING E-25

HNTB, INC. 145 RT. 46 WEST, SUITE 400, WAYNE, NJ 07470 - CO# 24G28000700
 DRAWING DATE: 05/2009
 LAST REVISION DATE: 05/2009 - 1833 BY: gmp/mon

MADE	BY	DATE
EMG	EMG	05/2009
TRACED	GS	05/2009
CHECKED	EMG	05/2009
SUPERVISED	ALB	05/2009