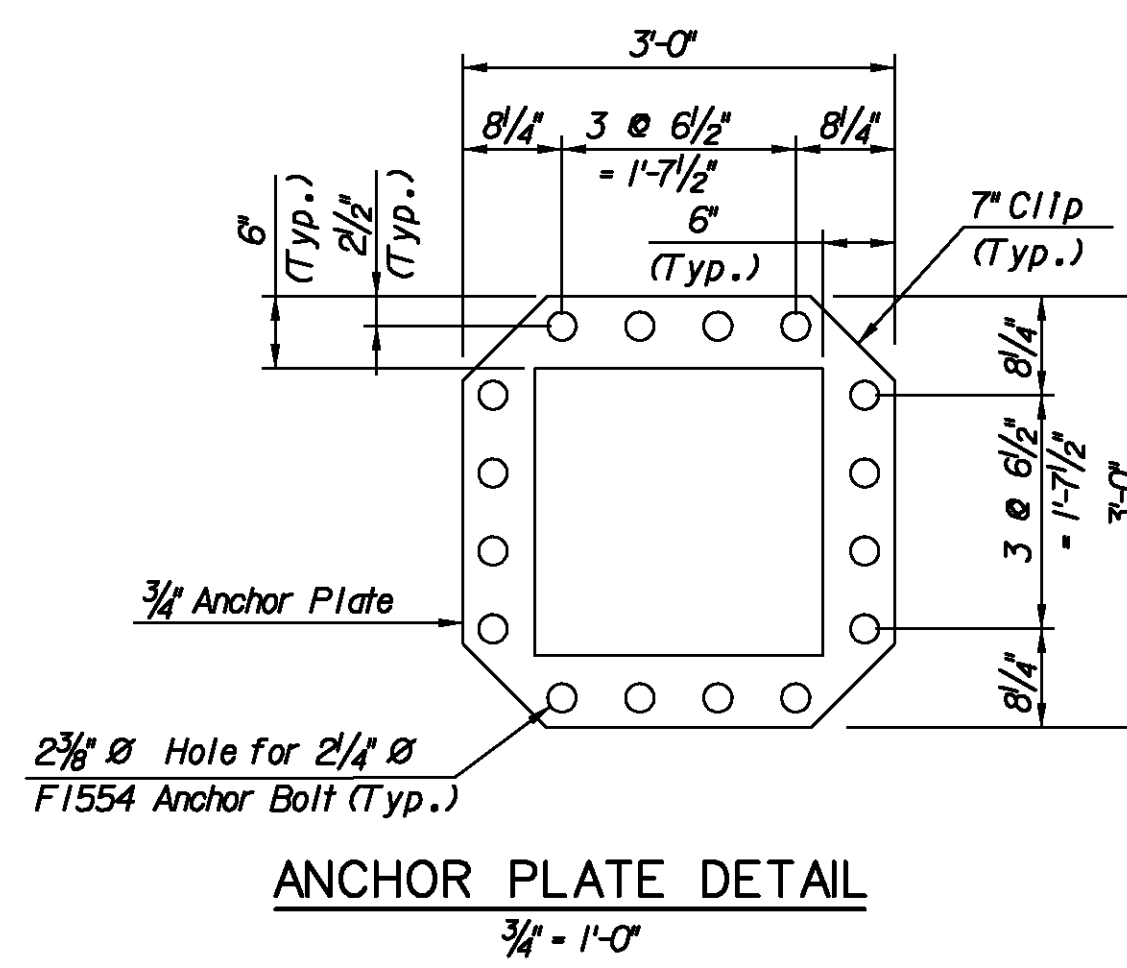
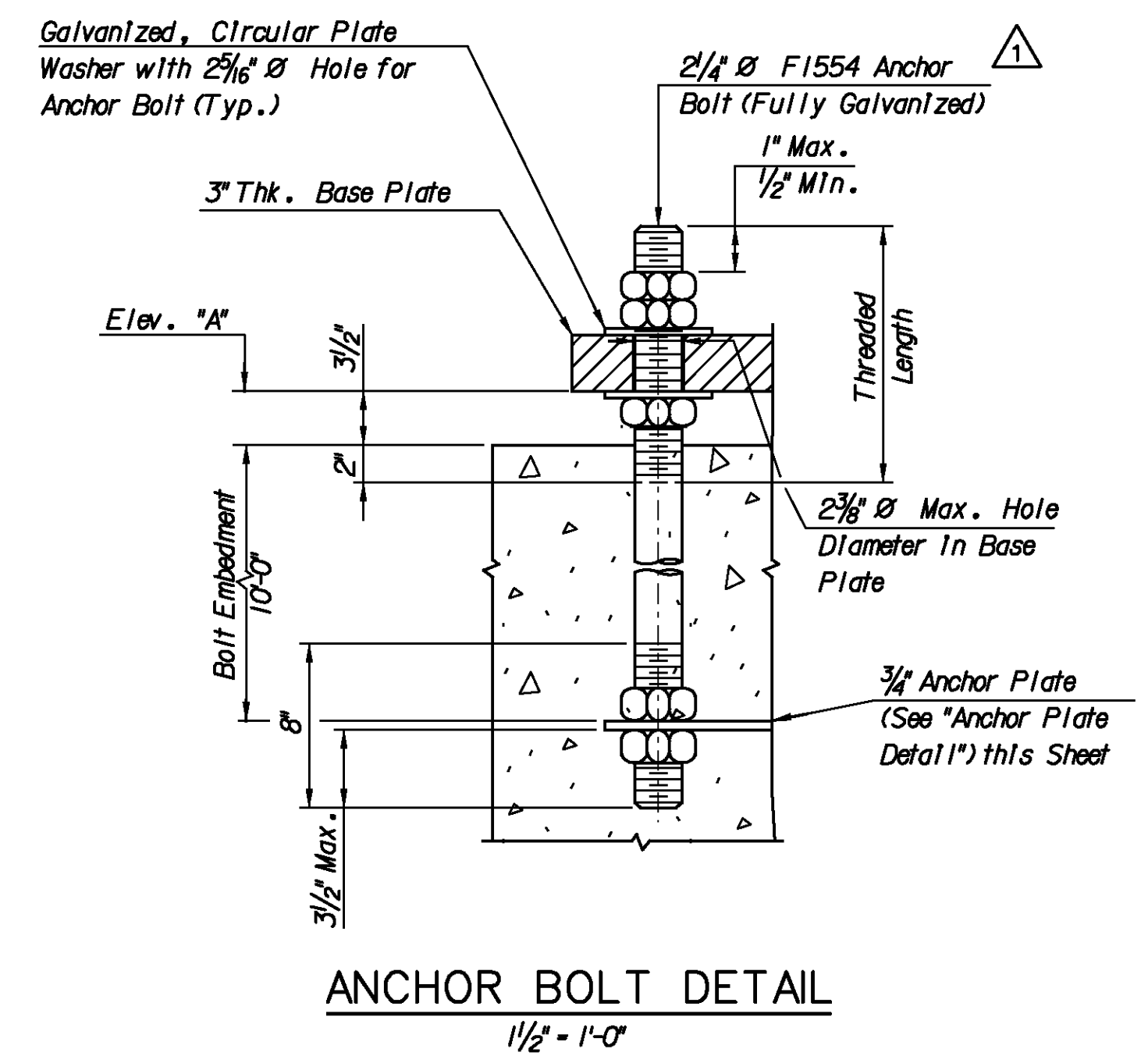


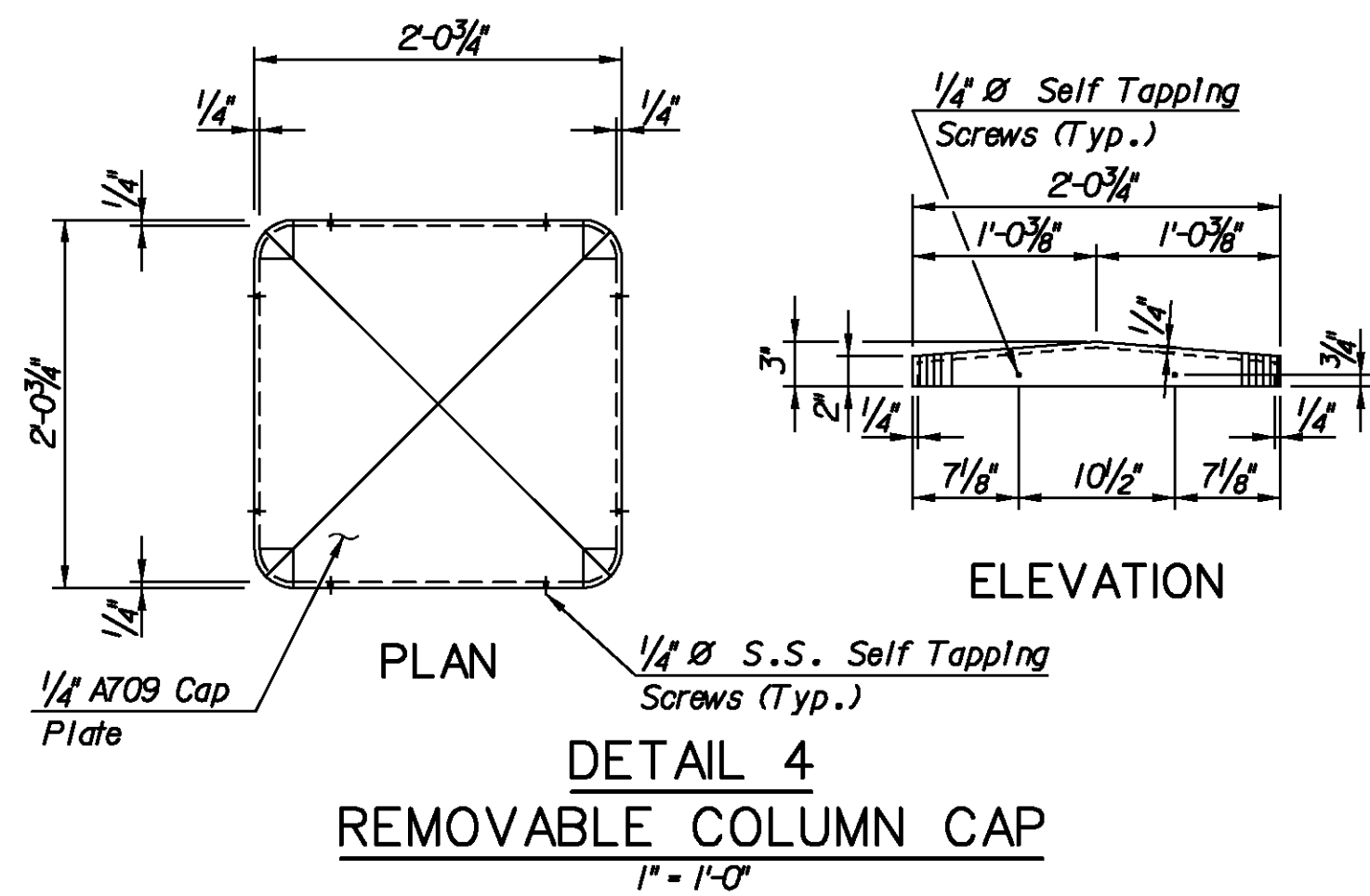
**DETAIL 3**  
**BASE PLATE AND STIFFENERS**  
1' - 1'-0"



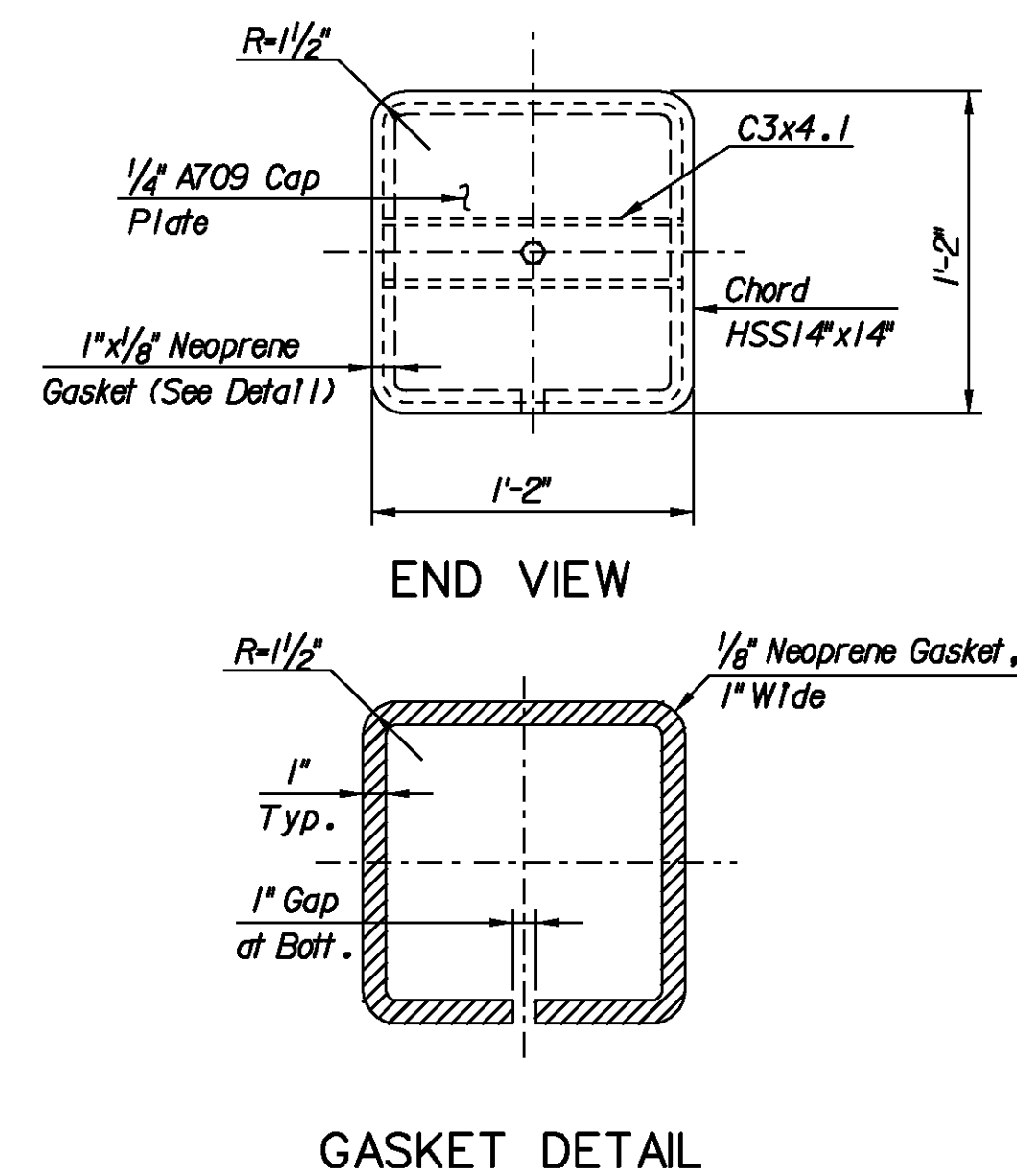
**ANCHOR PLATE DETAIL**  
3/4" - 1'-0"



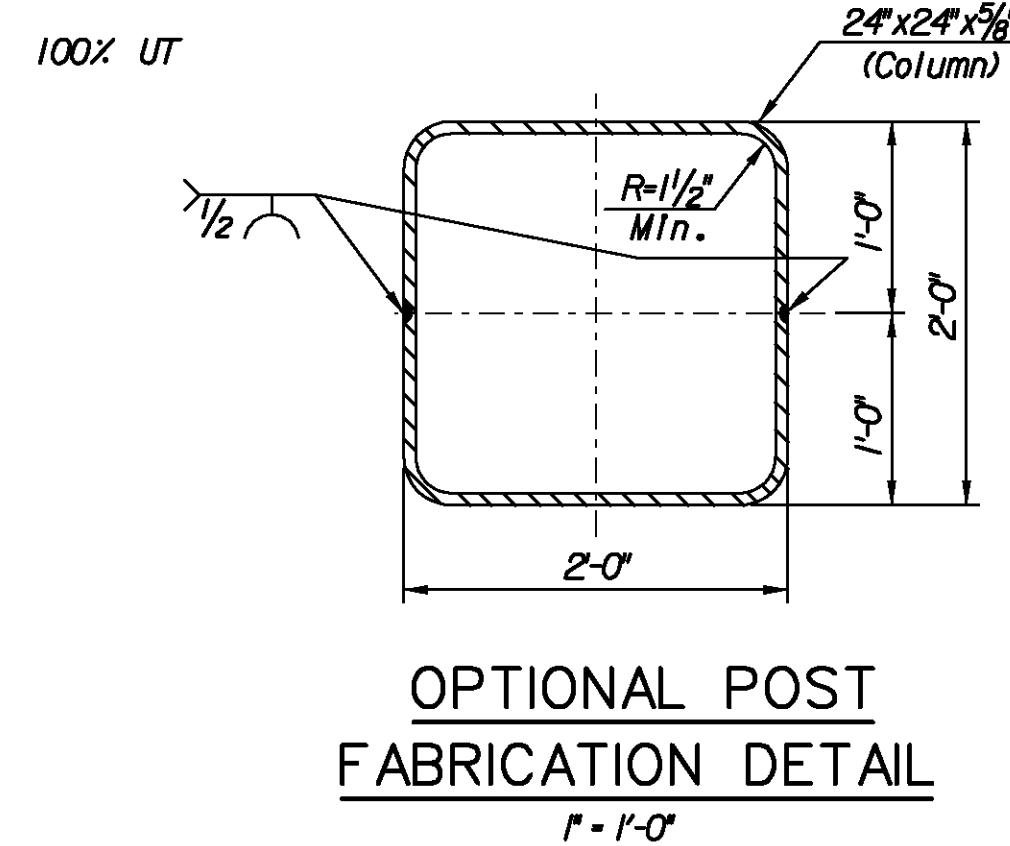
**ANCHOR BOLT DETAIL**  
1 1/2" - 1'-0"



**DETAIL 4**  
**REMOVABLE COLUMN CAP**  
1" - 1'-0"

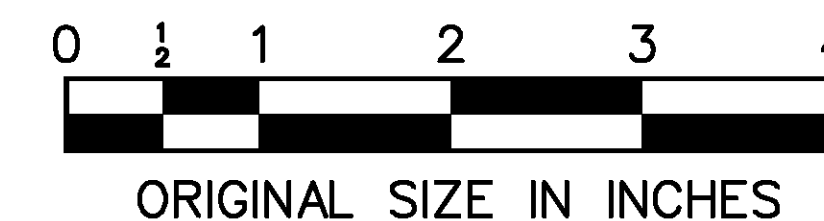


**DETAIL 5**  
**REMOVABLE CAP PLATE**  
1 1/2" - 1'-0"



**OPTIONAL POST FABRICATION DETAIL**  
1" - 1'-0"

- NOTES:**
- Expanded metal fencing shall be an Amico "Secura Fence" Model No. ASF1.5-9R as manufactured by:  
Amico  
3245 Fayette Avenue  
Birmingham, AL 35208  
1-800-366-2642  
WWW.AMICO-SECURITYPRODUCTS.COM
  - Full penetration groove welded stiffener plate to column w/ end termination ground smooth.
  - Full penetration welded column end to base plate with the backer ring attached to the chord with a continuous fillet weld around the interior face of the ring. The thickness of the backer ring shall not exceed 3/8".
  - Contractor shall provide anchor bolt template to align anchor bolts at the top of the drilled shaft.



APP.	NO.	DATE	REVISION
	2	3/11	REVISED STIFFENER DETAILS
	1	12/09	REVISED ANCHOR BOLT ASTM STANDARD
	0	6/09	ORIGINAL DRAWING

CONTRACT NO.

NEW JERSEY TURNPIKE AUTHORITY  
**NEW JERSEY TURNPIKE**

BUTTERFLY VMS SUPPORT STRUCTURE  
**BASE PLATE AND MISCELLANEOUS DETAILS**

OFFICE OF THE CHIEF ENGINEER  
NEW JERSEY TURNPIKE AUTHORITY

WOODBRIDGE NEW JERSEY

2009 STANDARD  
DRAWING VM-16

SHEET NO. OF