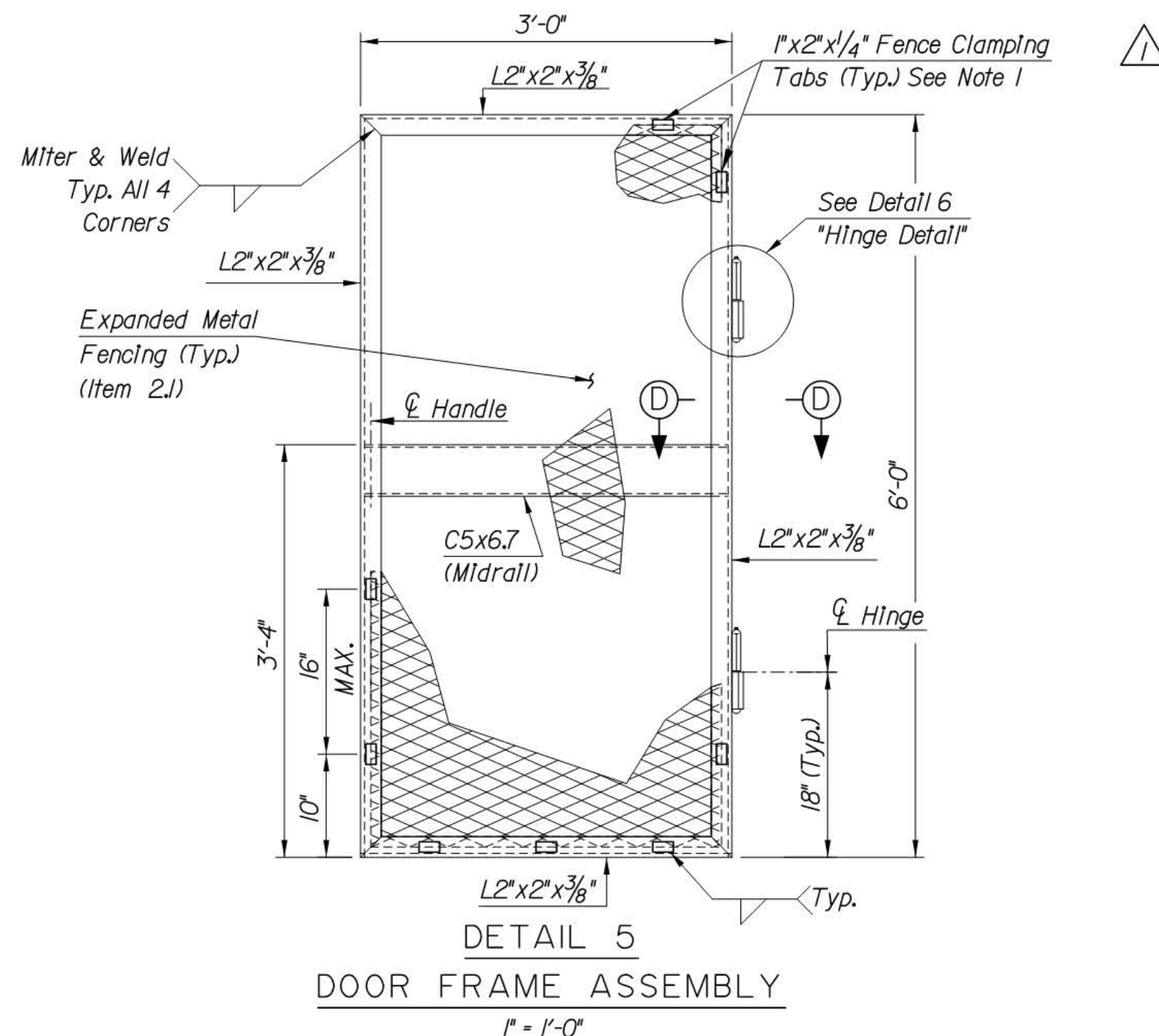
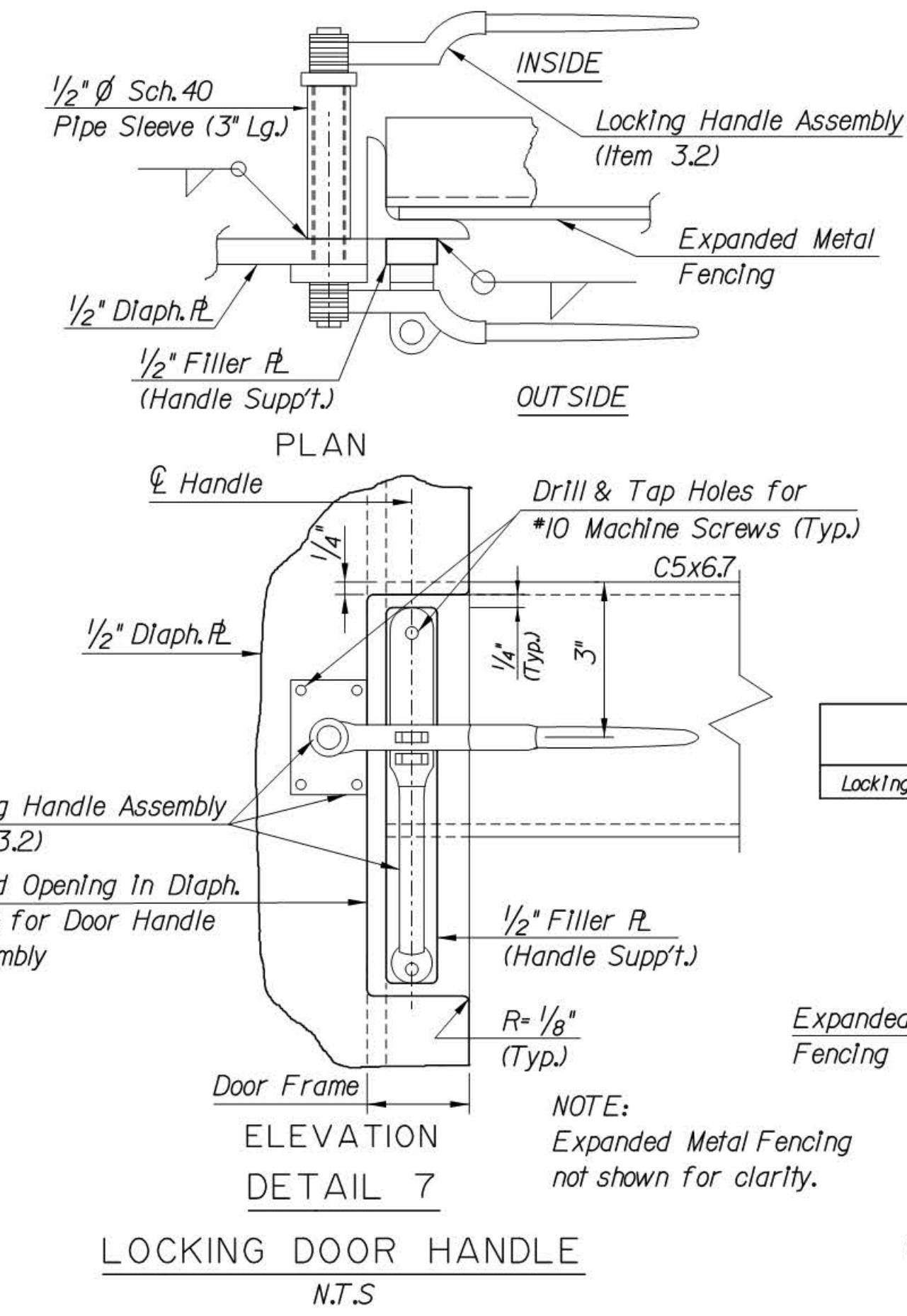


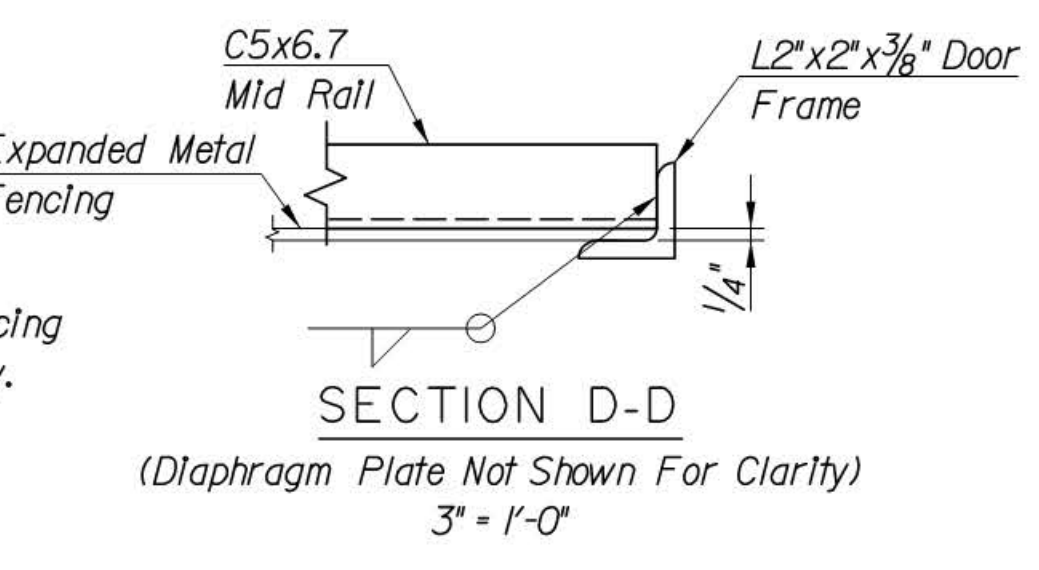
END DIAPHRAGM WITH ACCESS DOOR DETAIL
3/4" = 1'-0"



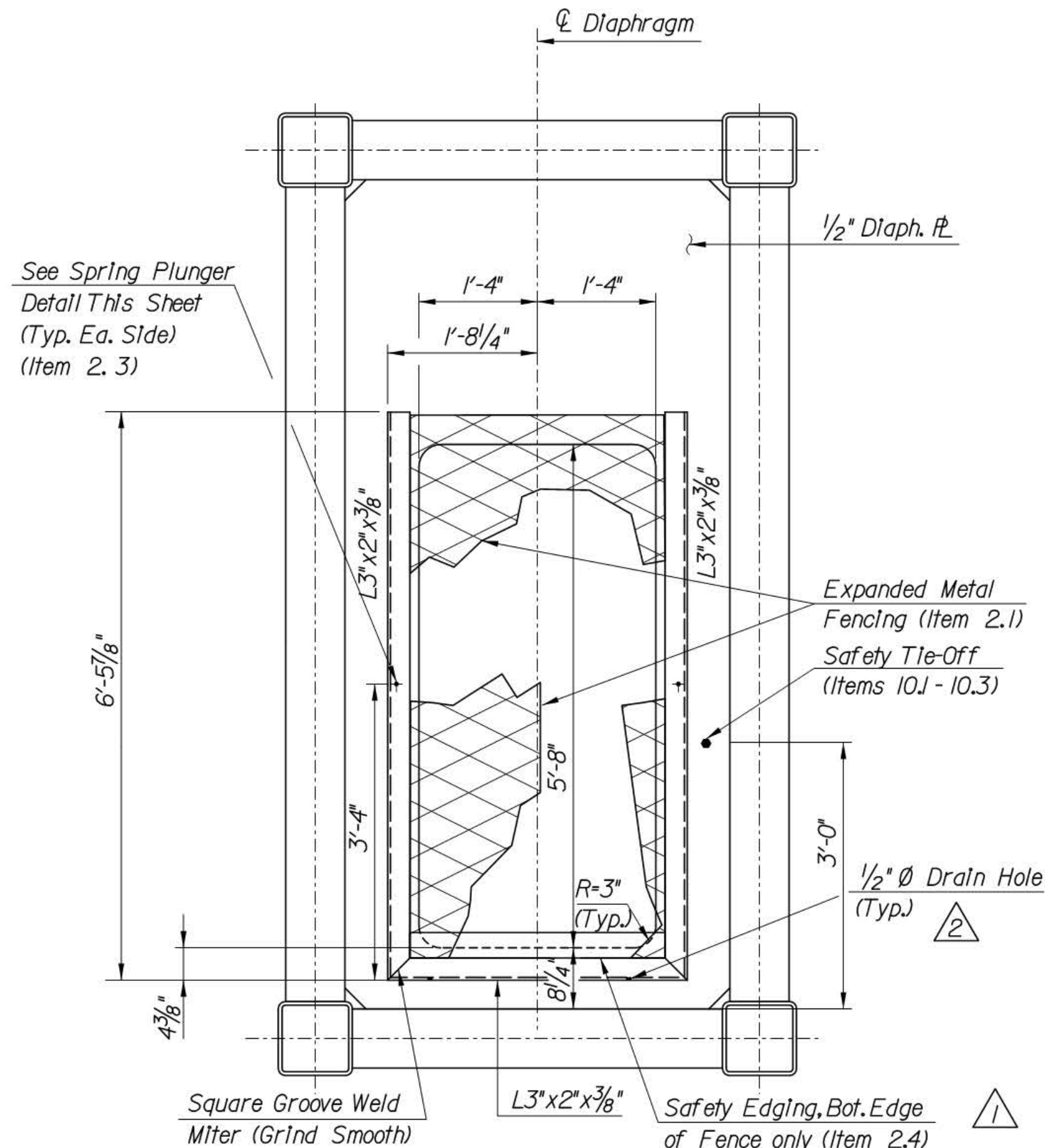
DETAIL 5
DOOR FRAME ASSEMBLY
1" = 1'-0"



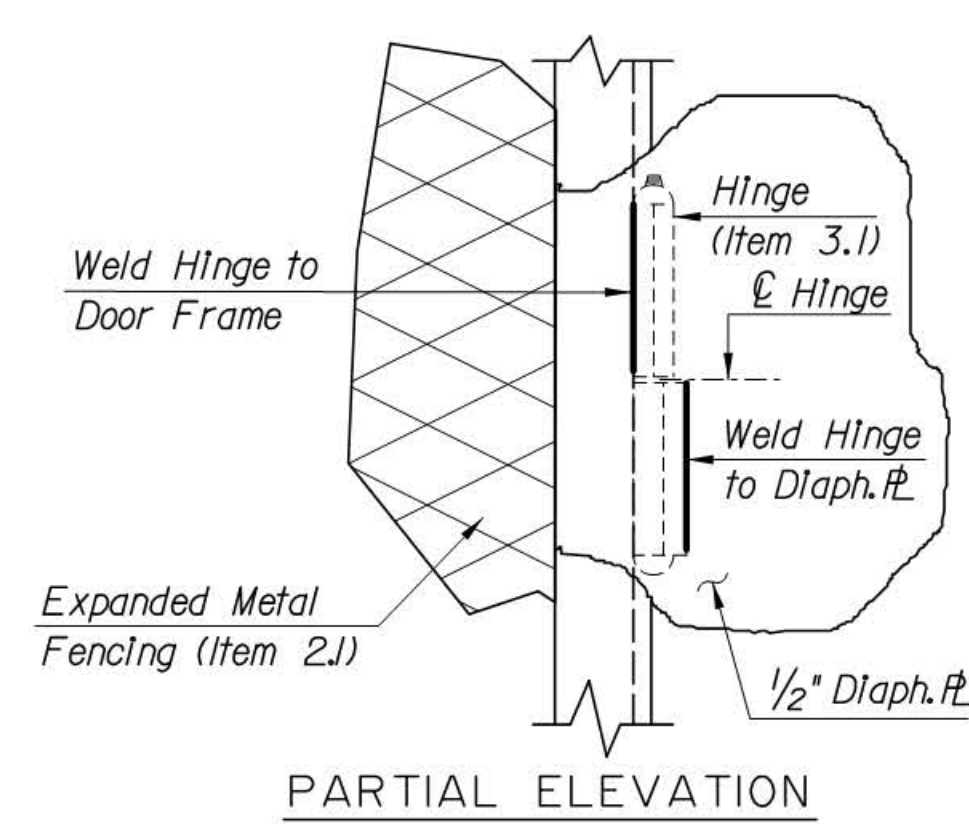
ITEM 3.2	DIMENSIONS			
	A	B	C	D
Locking Handle	7 1/4"	7 3/8"	1 1/2"	2 1/4"



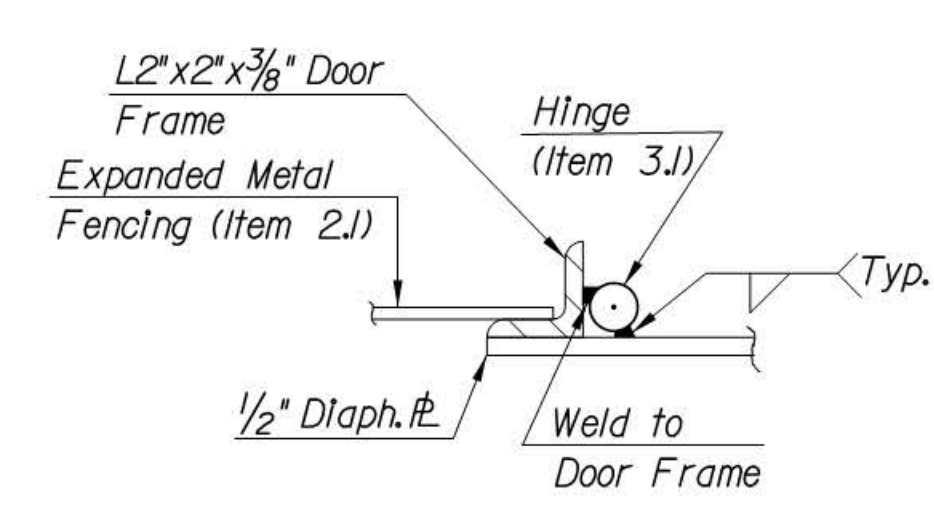
SECTION D-D
(Diaphragm Plate Not Shown For Clarity)
3" = 1'-0"



END DIAPHRAGM WITH ESCAPE HATCH DETAIL
3/4" = 1'-0"



PARTIAL ELEVATION

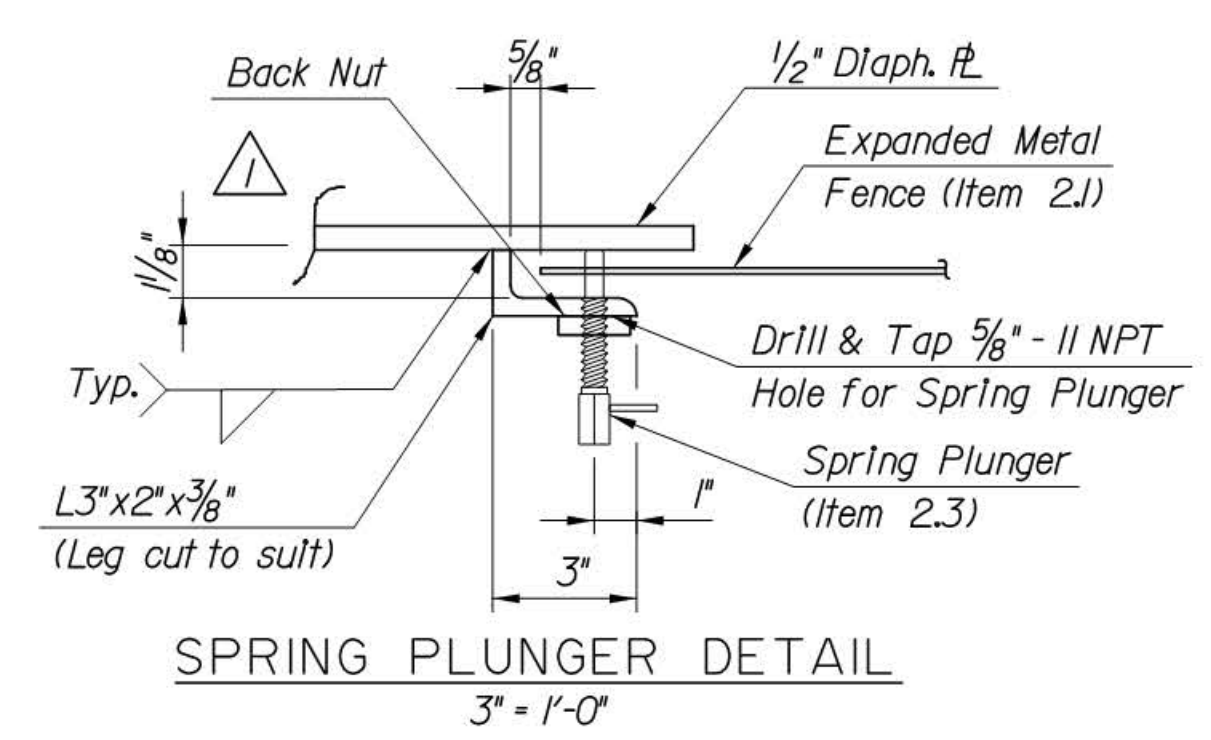


SECTIONAL VIEW

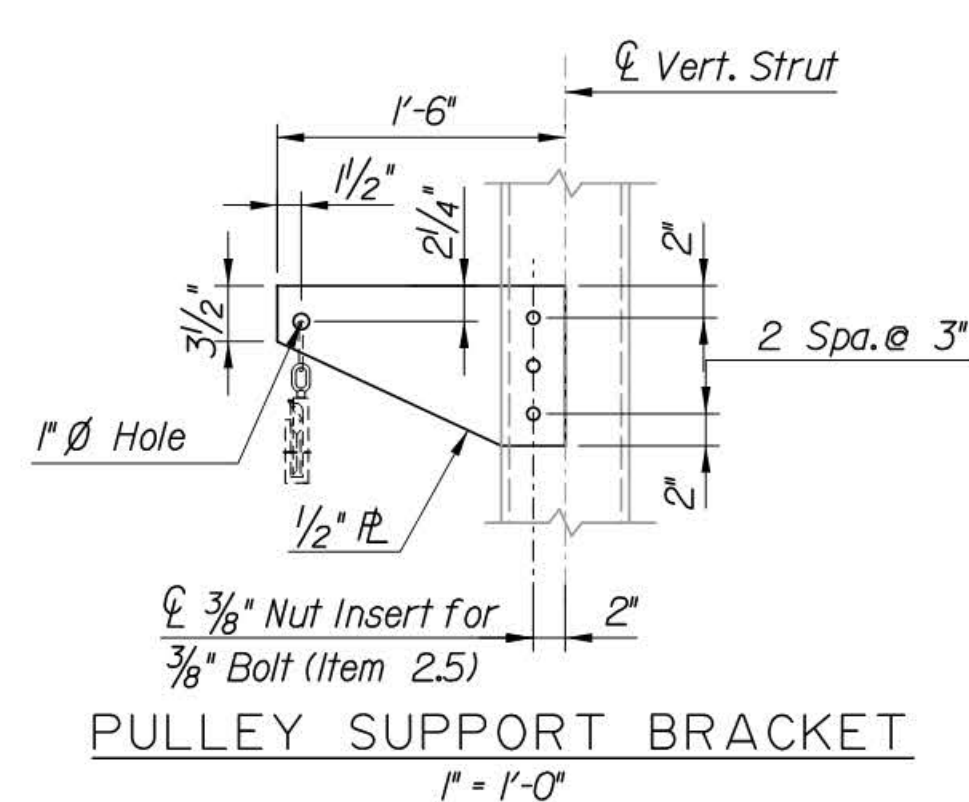


DETAIL 6
HINGE DETAIL

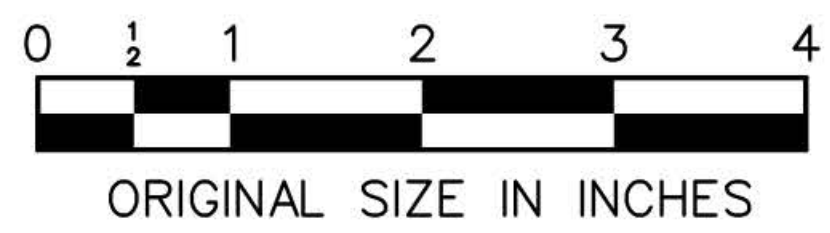
(Narrow Profile Weld-On, Lift-off Hinge
W/Grease Fitting, See Note 4)
3" = 1'-0"



SPRING PLUNGER DETAIL
3" = 1'-0"



PULLEY SUPPORT BRACKET
1" = 1'-0"



ORIGINAL SIZE IN INCHES

- NOTES:
- Expanded metal fencing shall be rigidly clamped to the door frame angle prior to welding the tabs to ensure a vibration free operation. Spot repair all damaged galvanizing on fencing and hinges after fabrication in accordance with ASTM A-780.
 - For Item Lists, see Sheet VM-10.
 - For Door and Diaphragm locations, see Sheet VM-1.
 - Hinges shall be lubricated with an approved grease prior to installation.

APP.	NO.	DATE	REVISION
4	4/16		SHEET TEXT FORMAT REVISIONS
3	3/14		ADDED NOTE
2	3/11		ADDED DRAIN HOLES TO ESCAPE HATCH AND REVISED DETAIL
1	3/10		ADDED SAFETY EDGING AND REVISED DETAILS
0	8/08		ORIGINAL DRAWING

CONTRACT NO.

NEW JERSEY TURNPIKE AUTHORITY
NEW JERSEY TURNPIKE
OVERHEAD SPAN VMS/VSLs SUPPORT STRUCTURES
DOOR DETAILS
OFFICE OF THE CHIEF ENGINEER
NEW JERSEY TURNPIKE AUTHORITY
WOODBRIDGE NEW JERSEY
2008 STANDARD
DRAWING VM-4
SHEET NO. OF