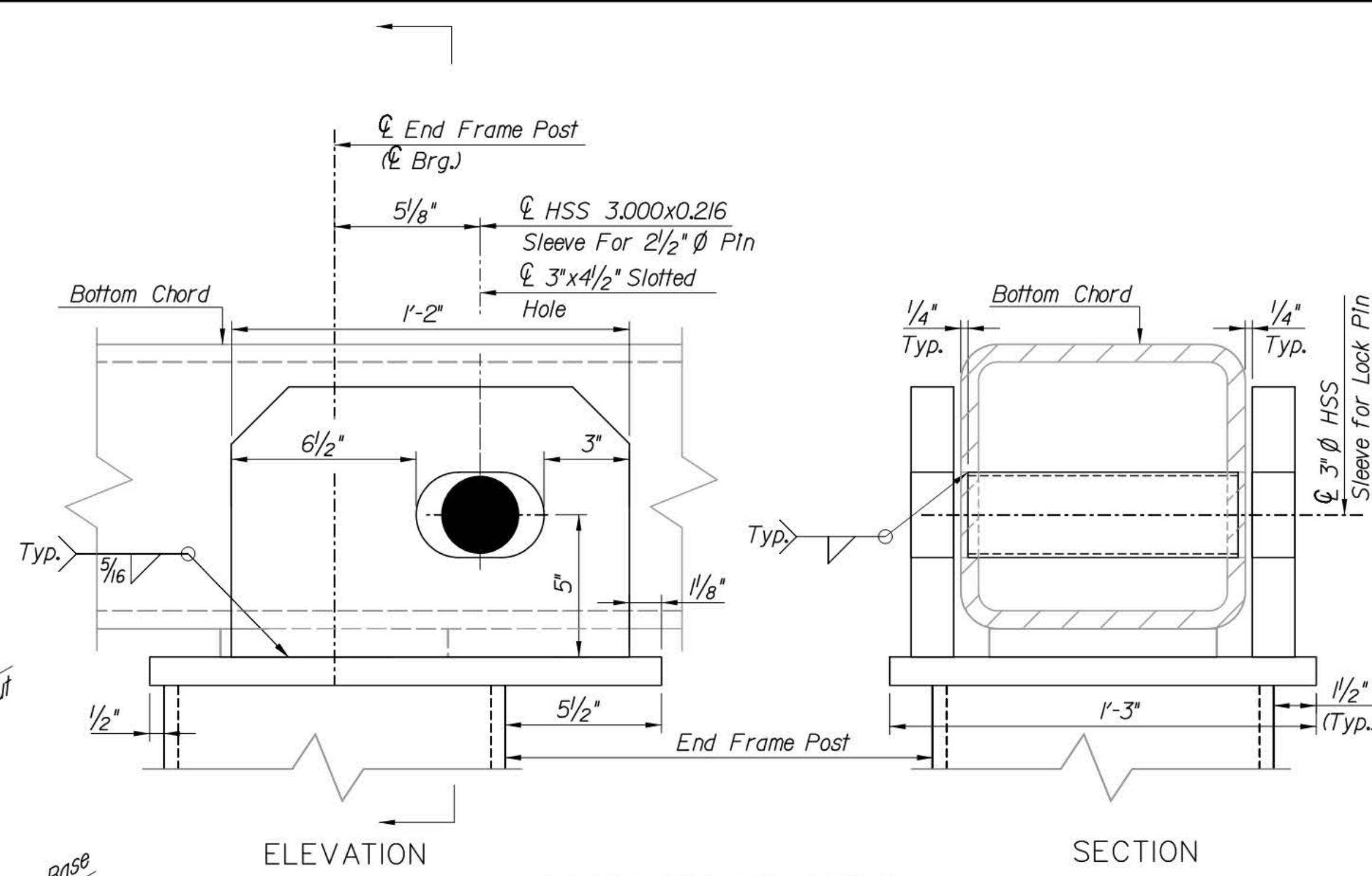
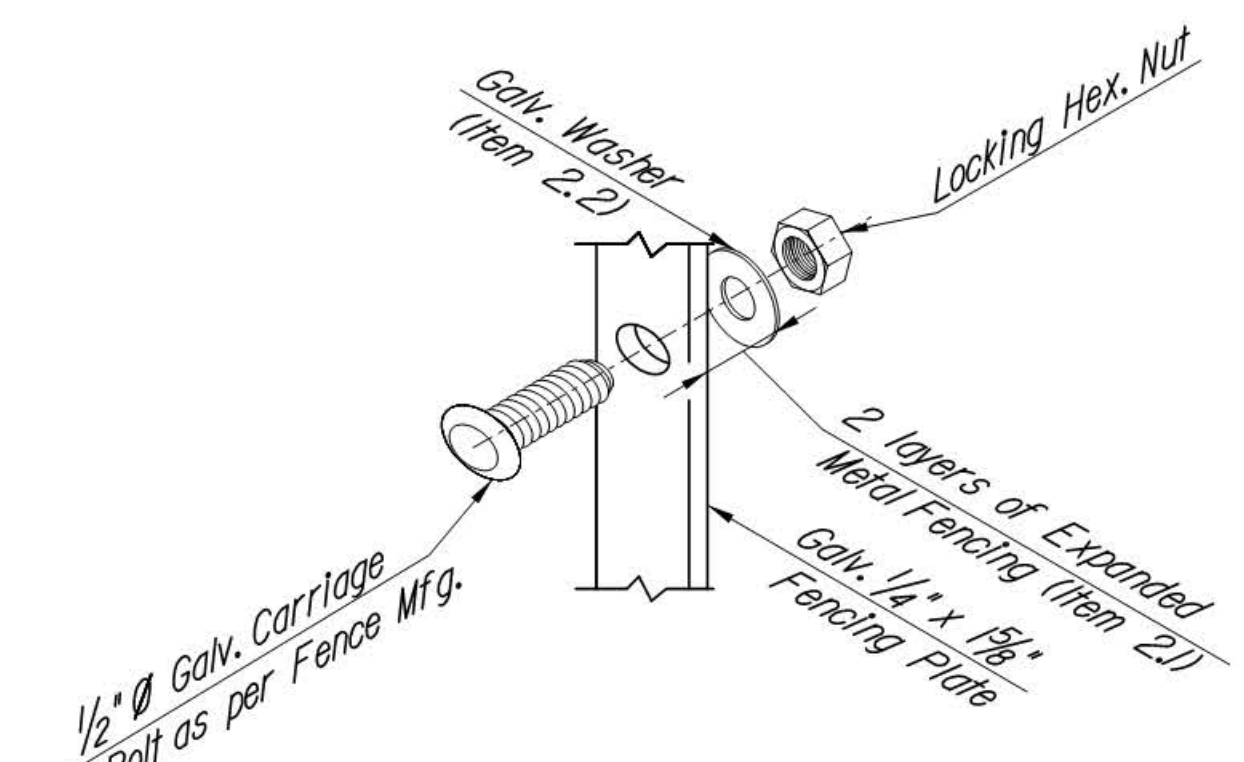


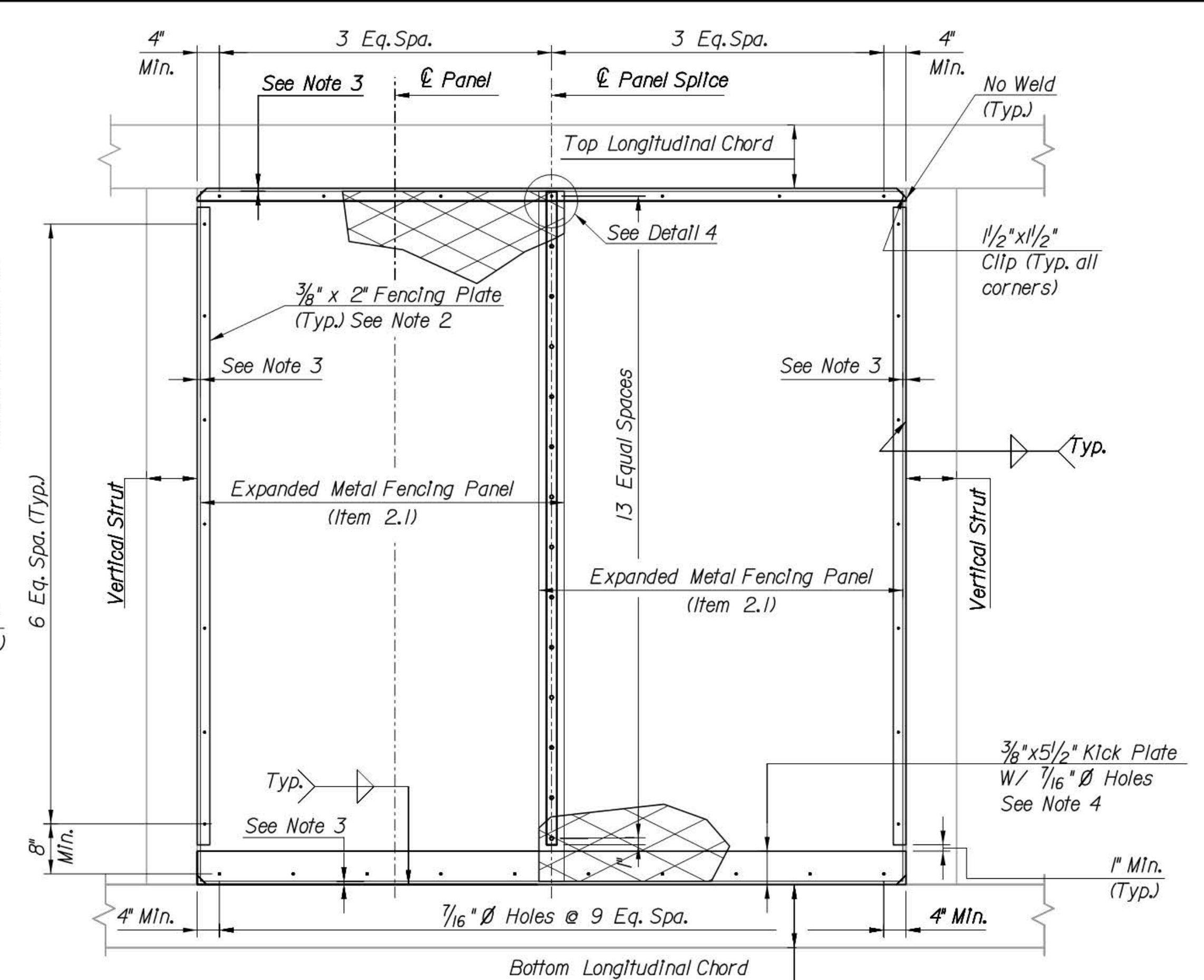
EXPLODED DETAIL OF END FRAME ASSEMBLY
 N.T.S.



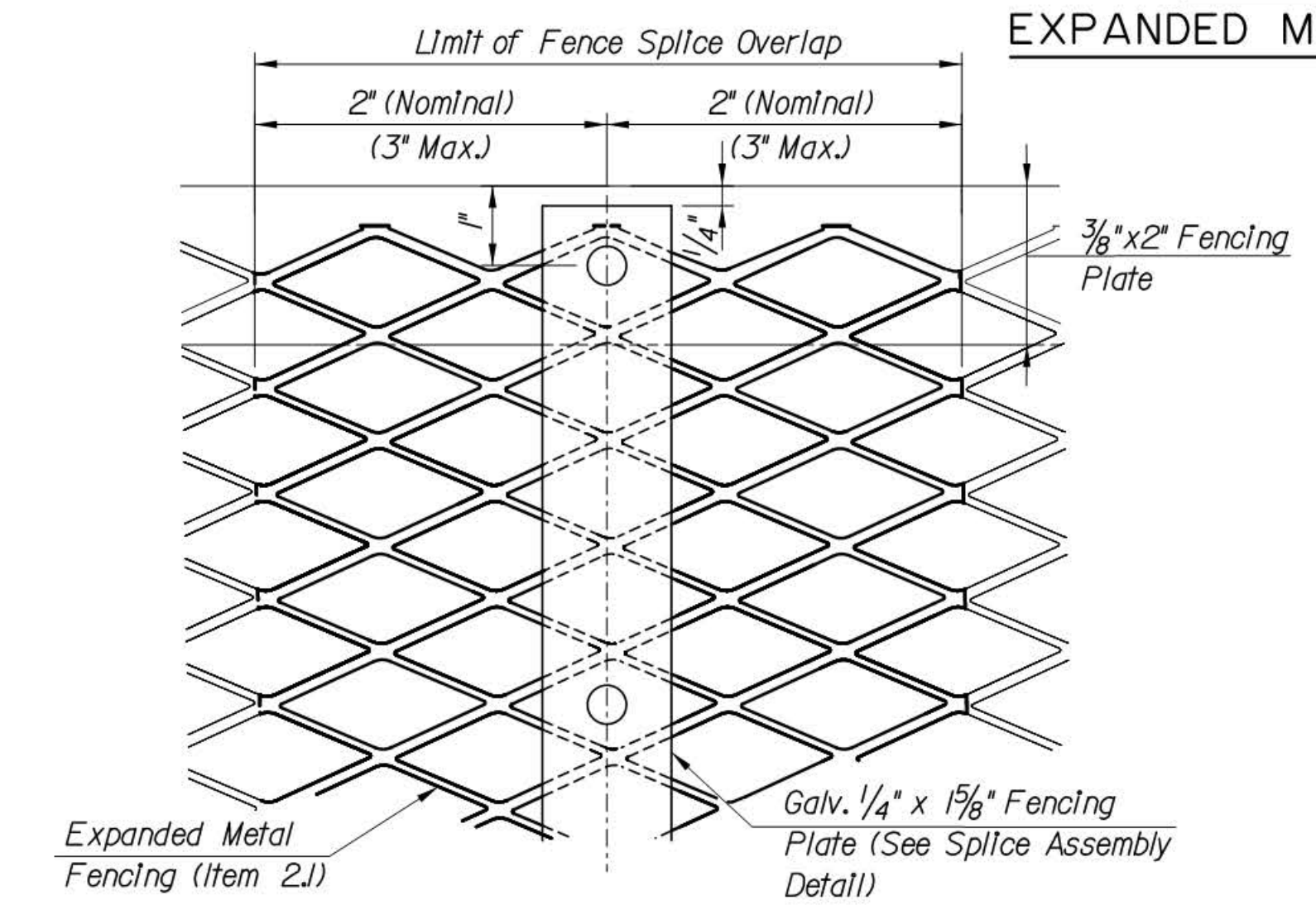
LOCK PIN BRACKET
 DETAIL
 3" - 1'-0"



ISOMETRIC OF SPLICE ASSEMBLY

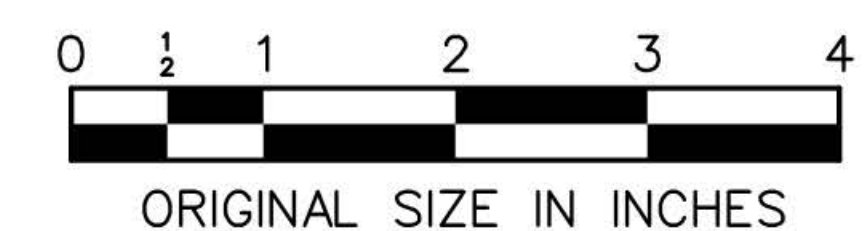


10'-0" TRUSS PANEL
 EXPANDED METAL FENCING DETAIL
 3/4" - 1'-0"



DETAIL 4
 EXPANDED METAL FENCE
 SPLICE DETAIL

EXPANDED METAL FENCING (Item 2.1):
 - 1.33' x 3.00' Lg. bond to bond w/ 9 Diamonds/LF
 - 0.142" Width
 - 0.134" Thickness
 - 75% Open Area



- NOTES:
- The unthreaded grip length of the lock pin shall be 13 3/4". Place a recess nut at each end of the pin.
 - Drill 7/16" Dia. holes for 3/8" bolts in fencing plates.
 - Expanded metal fencing shall be a minimum of 1/2" clear to all chord and strut members.
 - Kick plate shall only be furnished at Bottom Long. Chords.
 - For Items List, see Sheet VM-10

NEW JERSEY TURNPIKE AUTHORITY
NEW JERSEY TURNPIKE
 OVERHEAD SPAN VMS/VSLs SUPPORT STRUCTURES
TRUSS AND FENCE DETAILS
 OFFICE OF THE CHIEF ENGINEER
 NEW JERSEY TURNPIKE AUTHORITY
 WOODBRIDGE NEW JERSEY
 2008 STANDARD
 DRAWING **VM-3**
 CONTRACT NO. SHEET NO. OF

APP. NO.	DATE	REVISION
2	4/16	REVISED LOCK PIN BRACKET DETAIL
1	3/11	REVISED DETAILS AND NOTES
0	8/08	ORIGINAL DRAWING