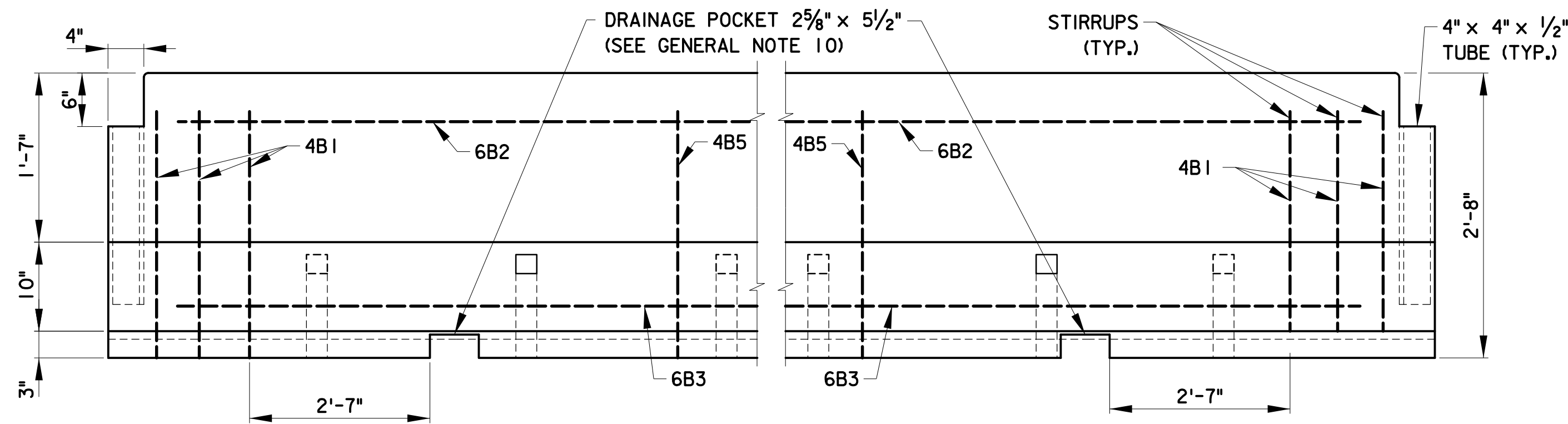
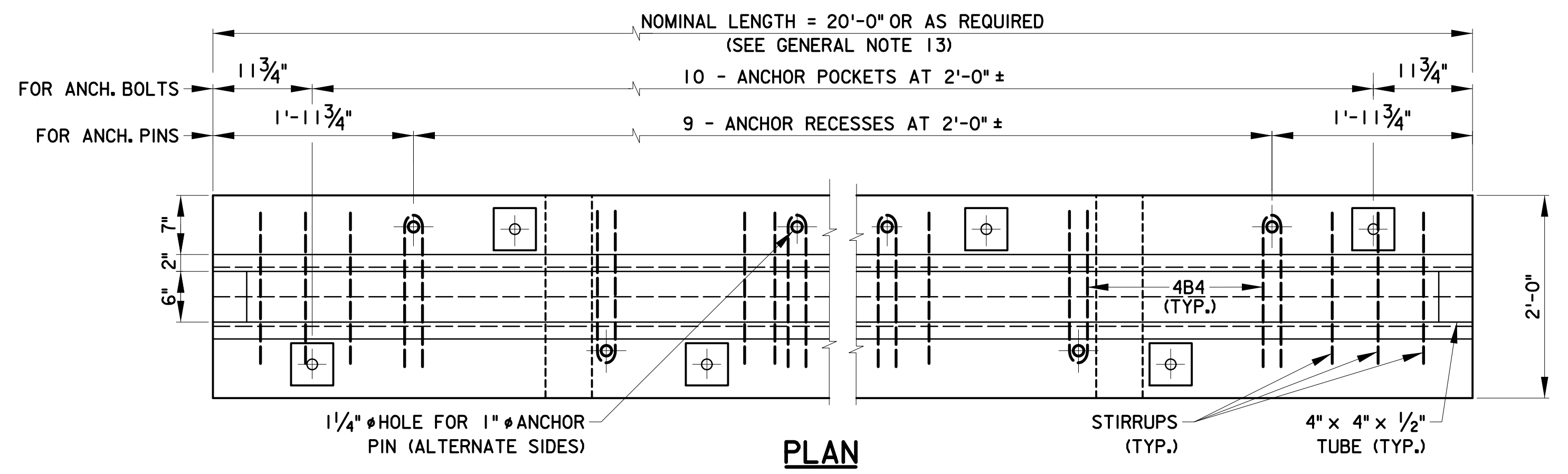


**PLAN**

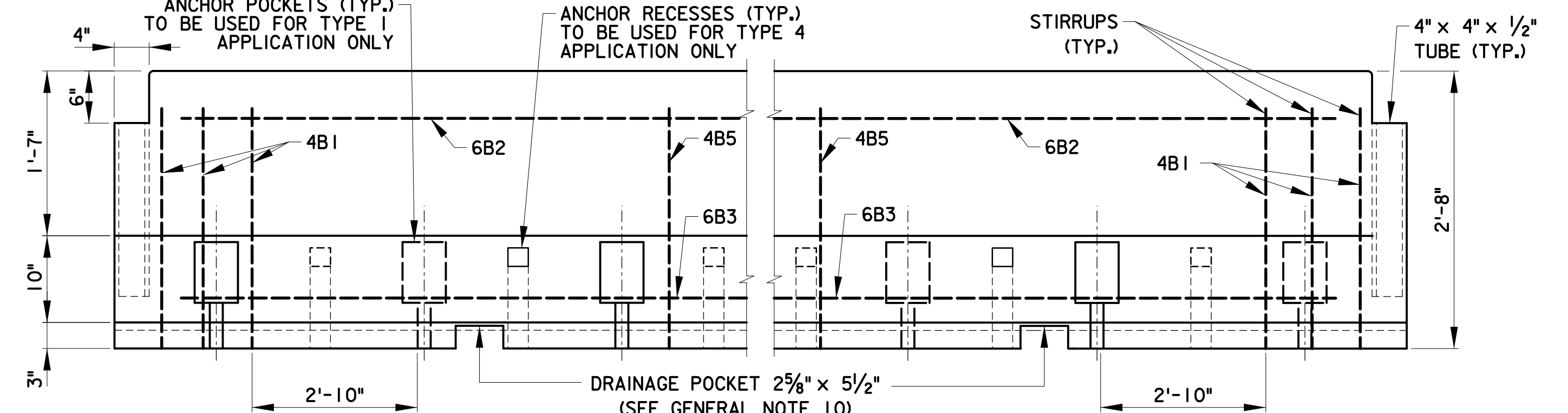


**ELEVATION**

**PRECAST CONCRETE CONSTRUCTION BARRIER - ALT. A**



**PLAN**

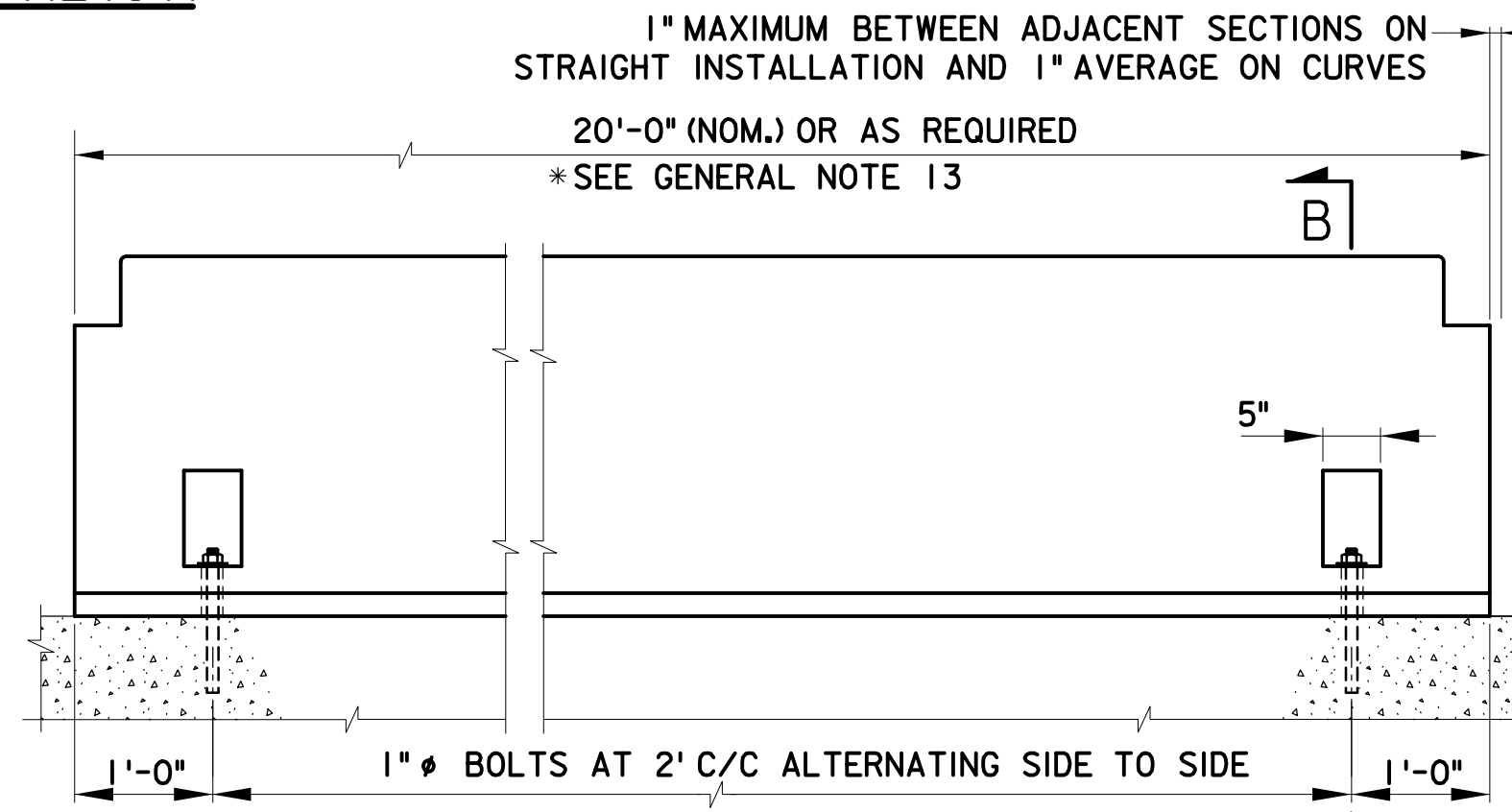


**ELEVATION**

**PRECAST CONCRETE CONSTRUCTION BARRIER - ALT. B**

1" MAXIMUM BETWEEN ADJACENT SECTIONS ON STRAIGHT INSTALLATION AND 1" AVERAGE ON CURVES

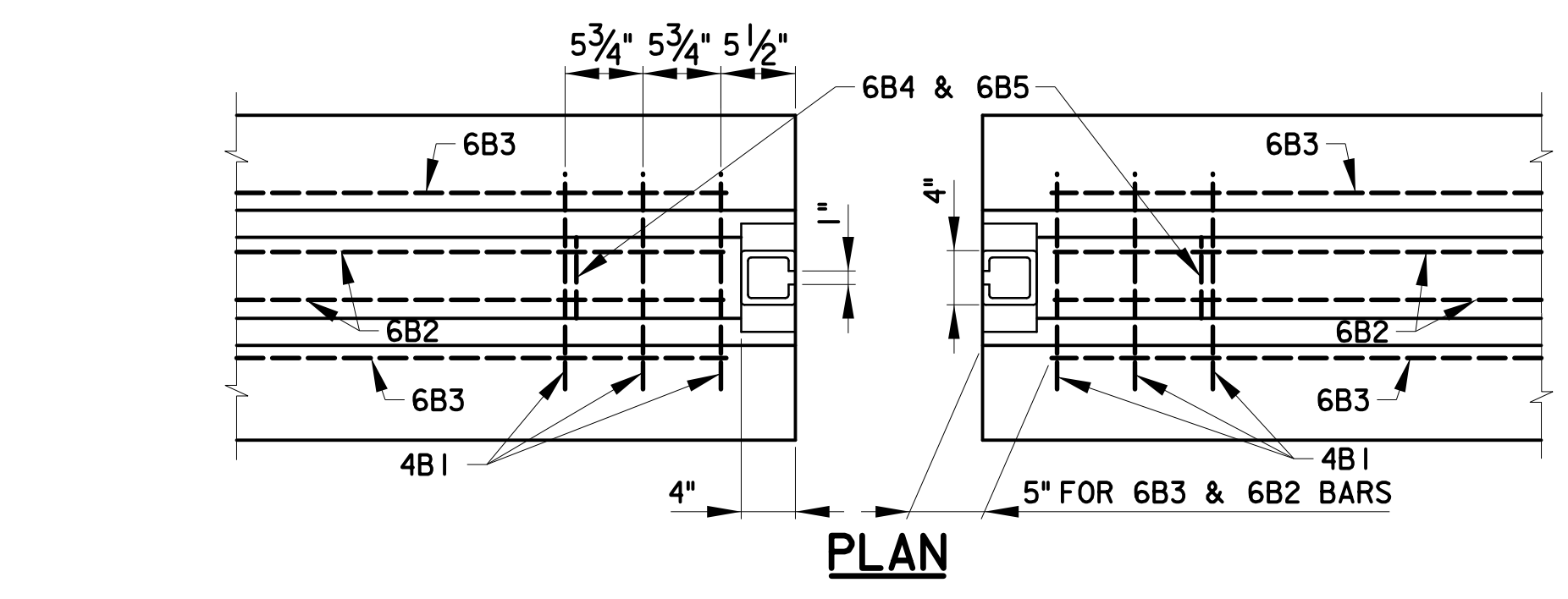
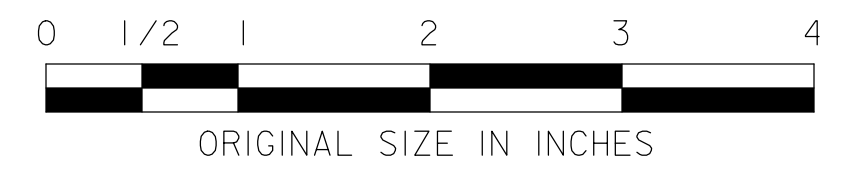
20'-0" (NOM.) OR AS REQUIRED  
\*SEE GENERAL NOTE 13



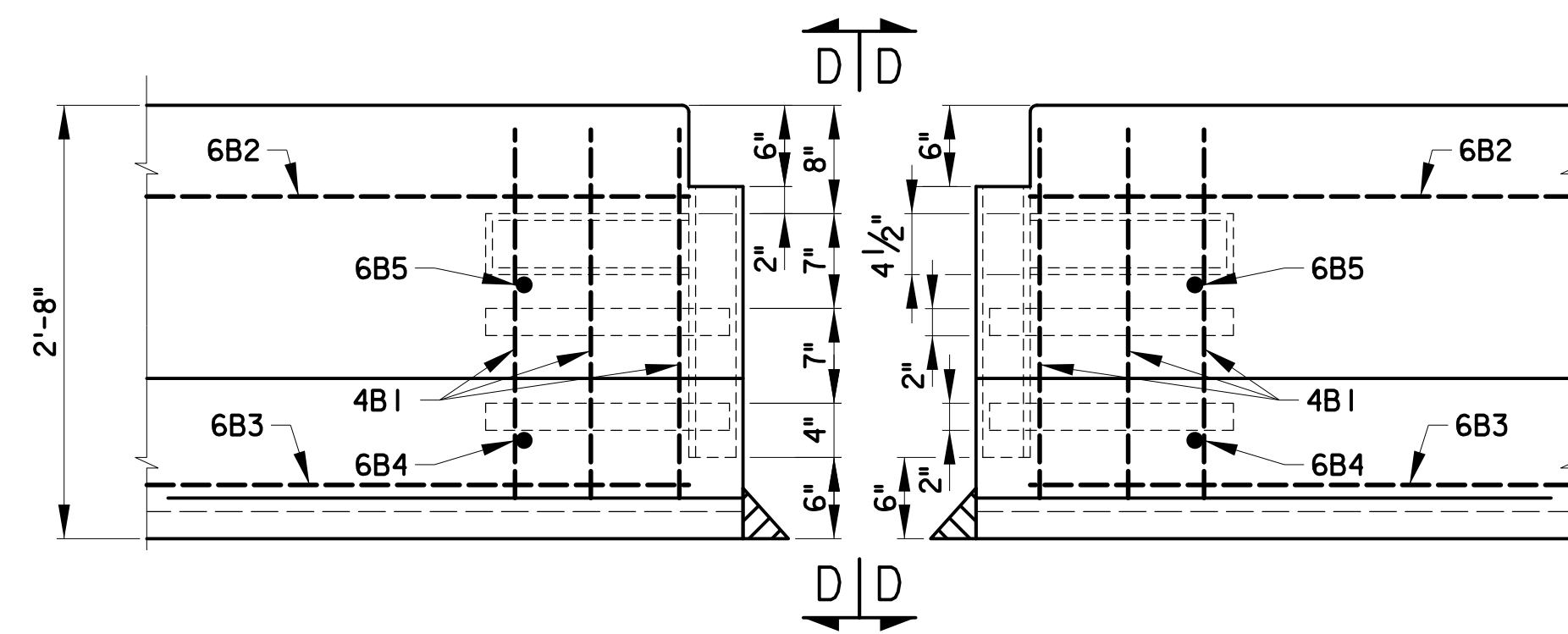
**ELEVATION**

**NOTES:**

- FOR GENERAL NOTES, TABLE OF VARIABLE BARS, BARS LIST (EACH BARRIER SECTION), TABLE OF JOINT AND ANCHORAGE TREATMENTS FOR TYPE 4 ALT. A AND ALT. B APPLICATIONS, AND OTHER PCCB DETAILS, SEE STANDARD DRAWING TP-22.
- FOR ALT. B, BOLTS SHALL BE REQUIRED IN EVERY ANCHOR POCKET HOLE.
- NUTS SHALL CONFORM TO ASTM A563 AND WASHERS SHALL CONFORM TO ASTM F436.
- AFTER REMOVAL OF THE BARRIER, THE HOLES IN THE SURFACE ON WHICH THE BARRIER SAT WHICH WERE USED TO ANCHOR THE SYSTEM, SHALL BE FILLED. THE ONLY EXCEPTION IS WHEN THE HOLES ARE IN AN AREA WHICH IS TO BE REMOVED. HOLES IN FLEXIBLE PAVEMENT, OR UNPAVED AREAS SHALL BE FILLED AS DIRECTED. HOLES IN PORTLAND CEMENT CONCRETE PAVEMENTS, OR STRUCTURAL DECKS, SHALL BE FILLED WITH NON-SHRINK GROUT MATERIAL MEETING THE REQUIREMENTS OF SUBSECTION 905.12 AND 905.14, EXCEPT THAT IN LATEX MODIFIED CONCRETE BRIDGE DECK, A COMPATIBLE NON-SHRINK GROUT MATERIAL SHALL BE USED. FOR HOLES WHERE ADHESIVE ANCHORS WERE PLACED, THE HOLES SHALL BE FILLED WITH THE APPROVED ADHESIVE.
- HOLES SHALL BE BLOWN CLEAN OF DEBRIS PRIOR TO THE PLACEMENT OF BOLTS.
- REMOVABLE ADHESIVE ANCHORS SHALL MEET THE REQUIREMENTS OF PARAGRAPH 909.02 (F). HOLE DIAMETER PER MANUFACTURER'S RECOMMENDATION.



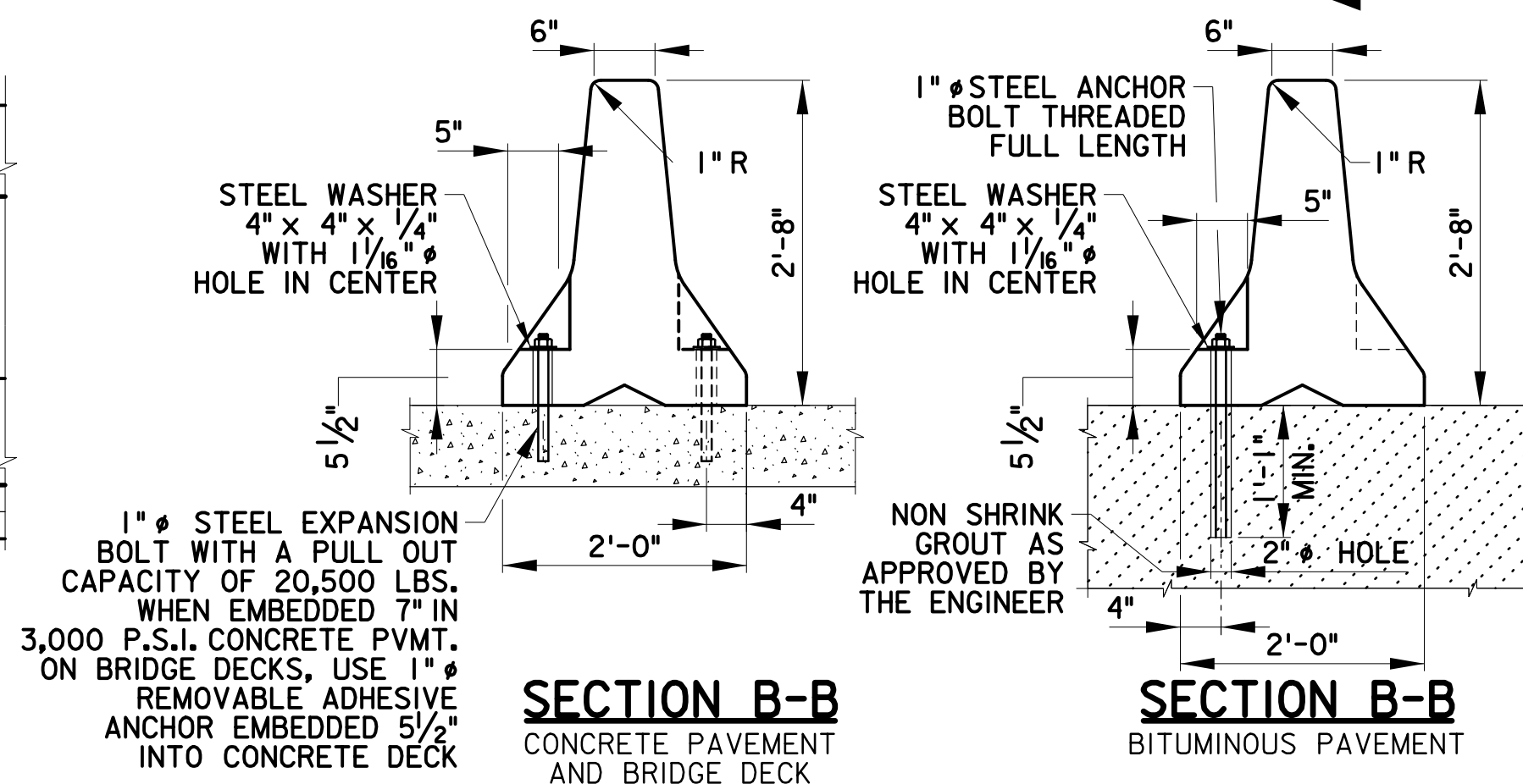
**PLAN**



**ELEVATION**

**PRECAST CONCRETE CONSTRUCTION BARRIER AT JOINT**

NOTE: FOR SECTION D-D, SEE STANDARD DRAWING TP-24.



**SECTION B-B**

**SECTION B-B**

**ANCHORAGE DETAILS FOR TYPE 4 BARRIER JOINT CLASS D**

N.T.S.

**PRECAST CONCRETE CONSTRUCTION BARRIER TYPE 4**

N.T.S.

NEW JERSEY TURNPIKE AUTHORITY  
**NEW JERSEY TURNPIKE  
 GARDEN STATE PARKWAY**  
 STANDARD DRAWINGS  
 PRECAST CONCRETE  
 CONSTRUCTION BARRIER  
 TYPE 4 - ALT. A & ALT. B (2 OF 2)

OFFICE OF THE CHIEF ENGINEER  
 NEW JERSEY TURNPIKE AUTHORITY  
 WOODBRIDGE, NEW JERSEY

STANDARD DRAWING  
**TP-23**

REV.	DESCRIPTION	DATE
0	REISSUED DRAWING	12/16