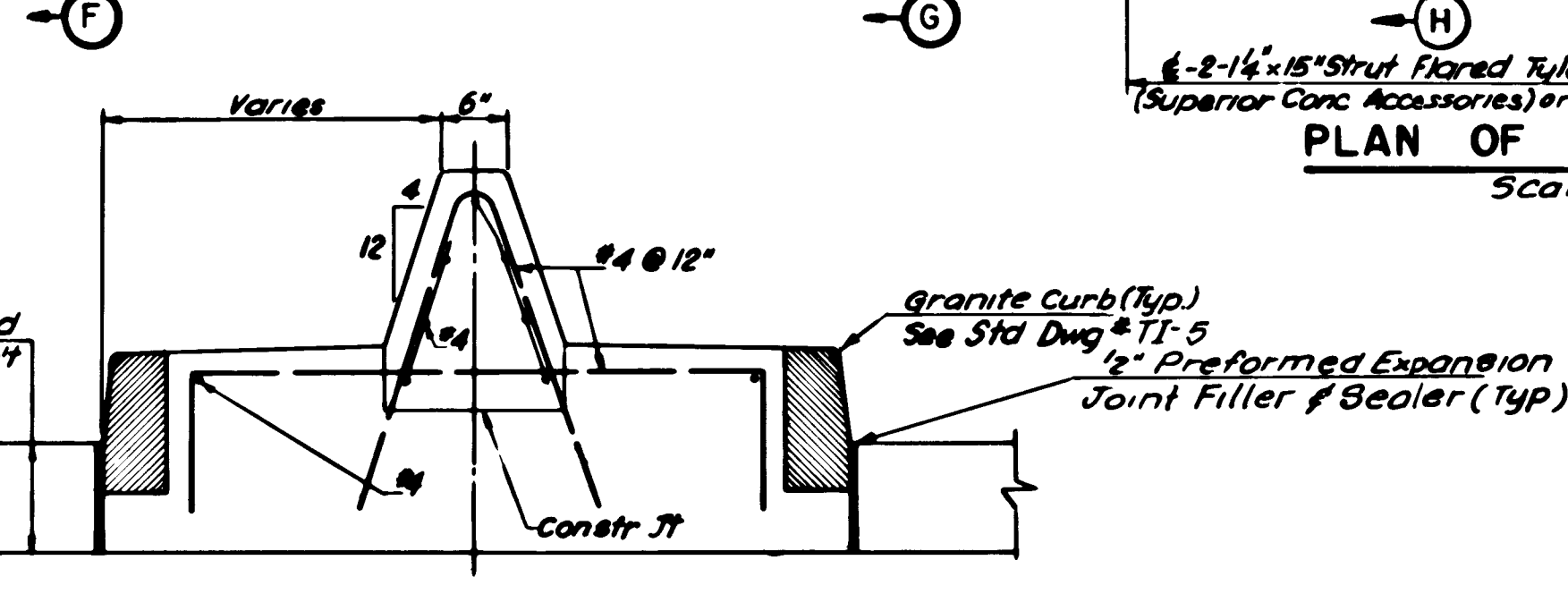
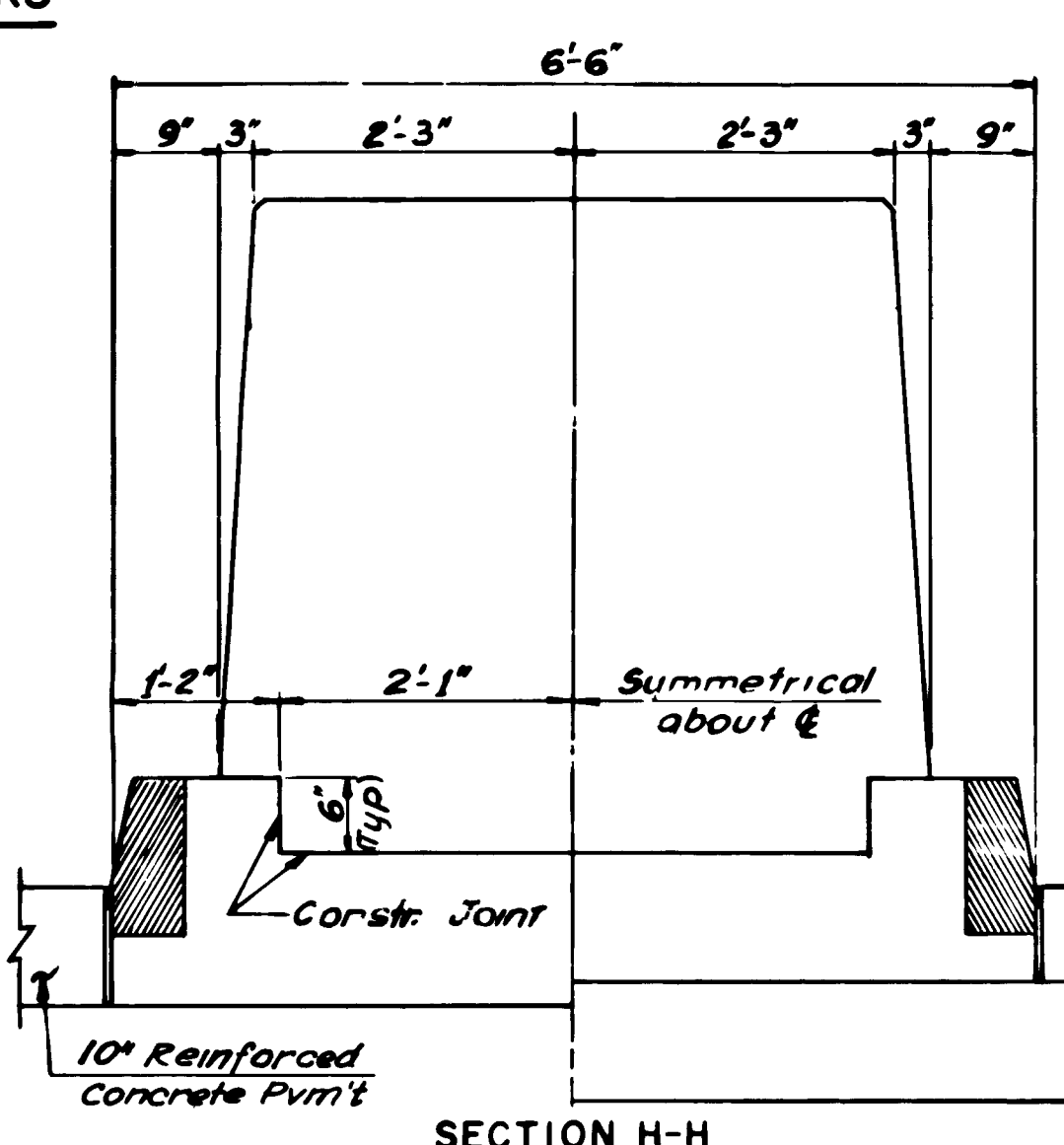


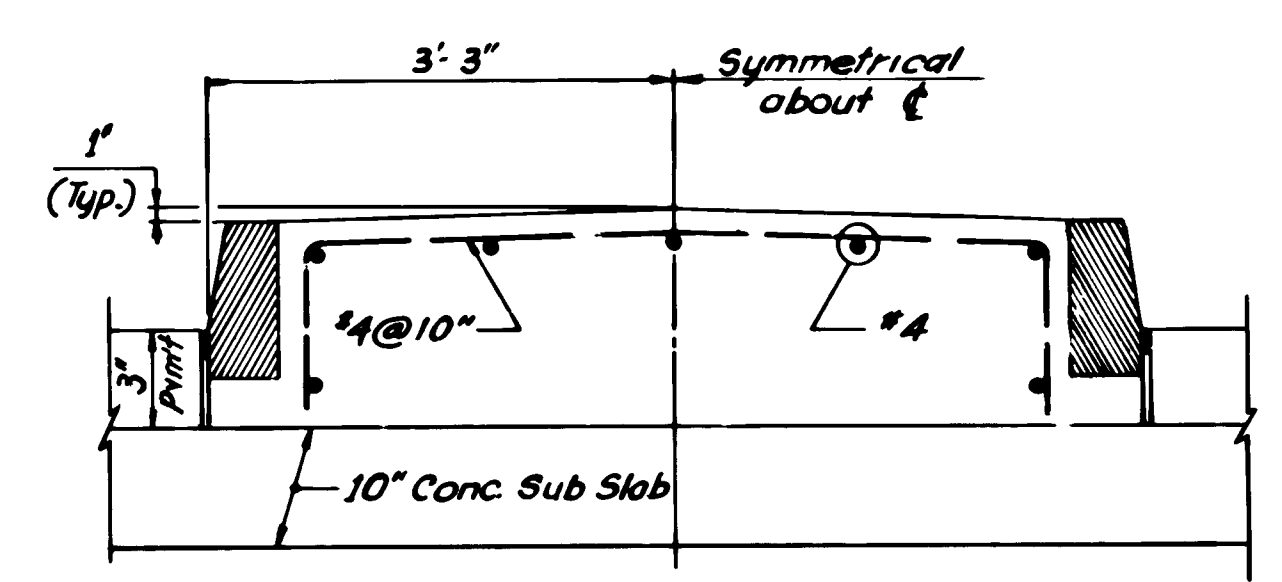
SECTION G-G



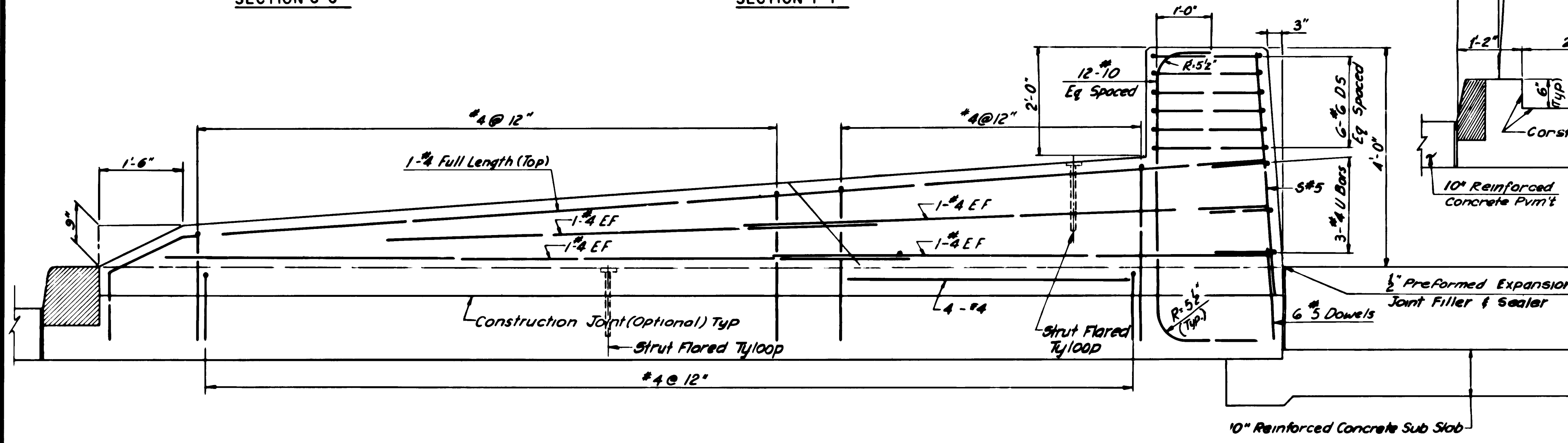
SECTION F-F



SECTION H-H

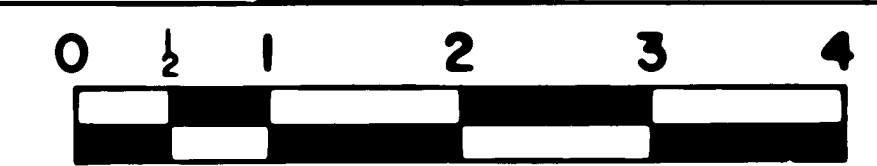


SECTION I-I



LONGITUDINAL SECTION THRU & OF BUMPER BLOCKS

Scale 3/4" = 1'-0"



ORIGINAL SIZE IN INCHES

NOTES

- 1 Clearance between the reinforcing steel and the exterior faces of concrete shall be 2" minimum.
- 2 Laps and embedments of reinforcing steel shall be 36 diameters minimum.
- 3 All edges shall be chamfered 3/4". Chamfers shall be accurately constructed by form work.
- 4 All recesses for Tyloop insert shall be grouted after bumper block is in place.
- 5 Transverse slopes on toll island to be 1" in 2'-0" from &.
- 6 Reinforcement Steel in Bumper Block shall be Epoxy Coated.

2	8/88	REVISED DIMENSION 31'-6" TO 31'-8"
1	5/88	Minor Revisions
	3/87	Reissued, Conforms to 1987 Specs
APP	NO	DATE
		REVISION

NEW JERSEY TURNPIKE AUTHORITY
NEW JERSEY TURNPIKE

BUMPER BLOCK DETAILS

OFFICE OF THE CHIEF ENGINEER
NEW BRUNSWICK NEW JERSEY

1987 STANDARD
DRAWING **TI-3**