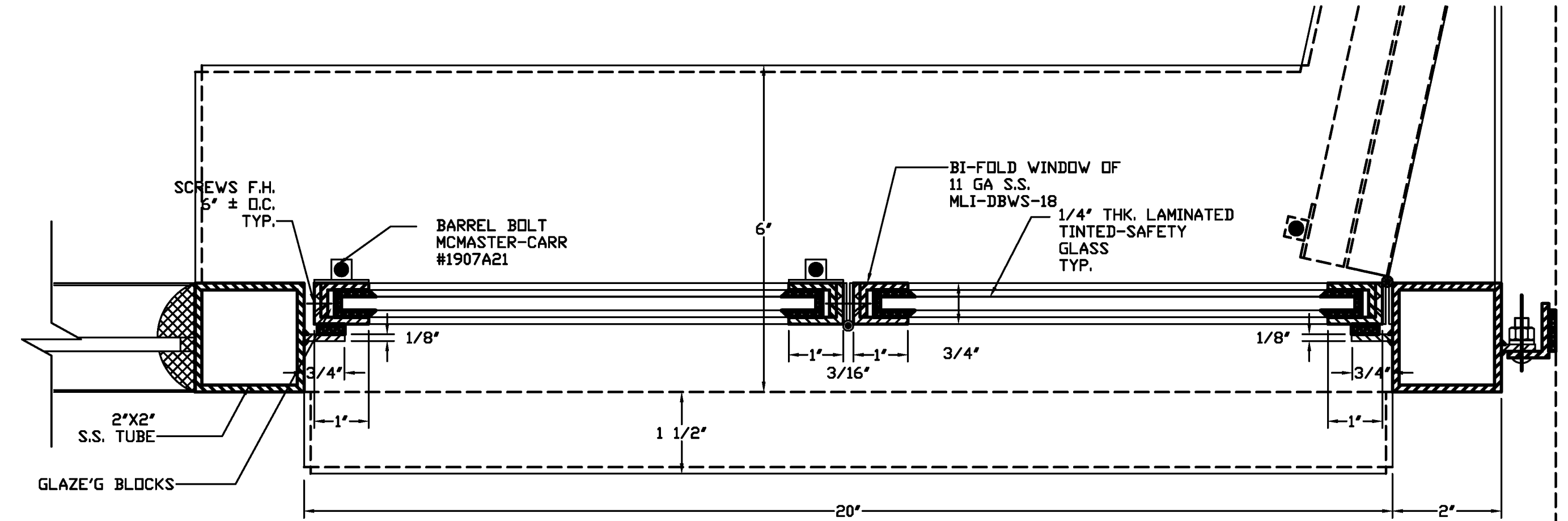
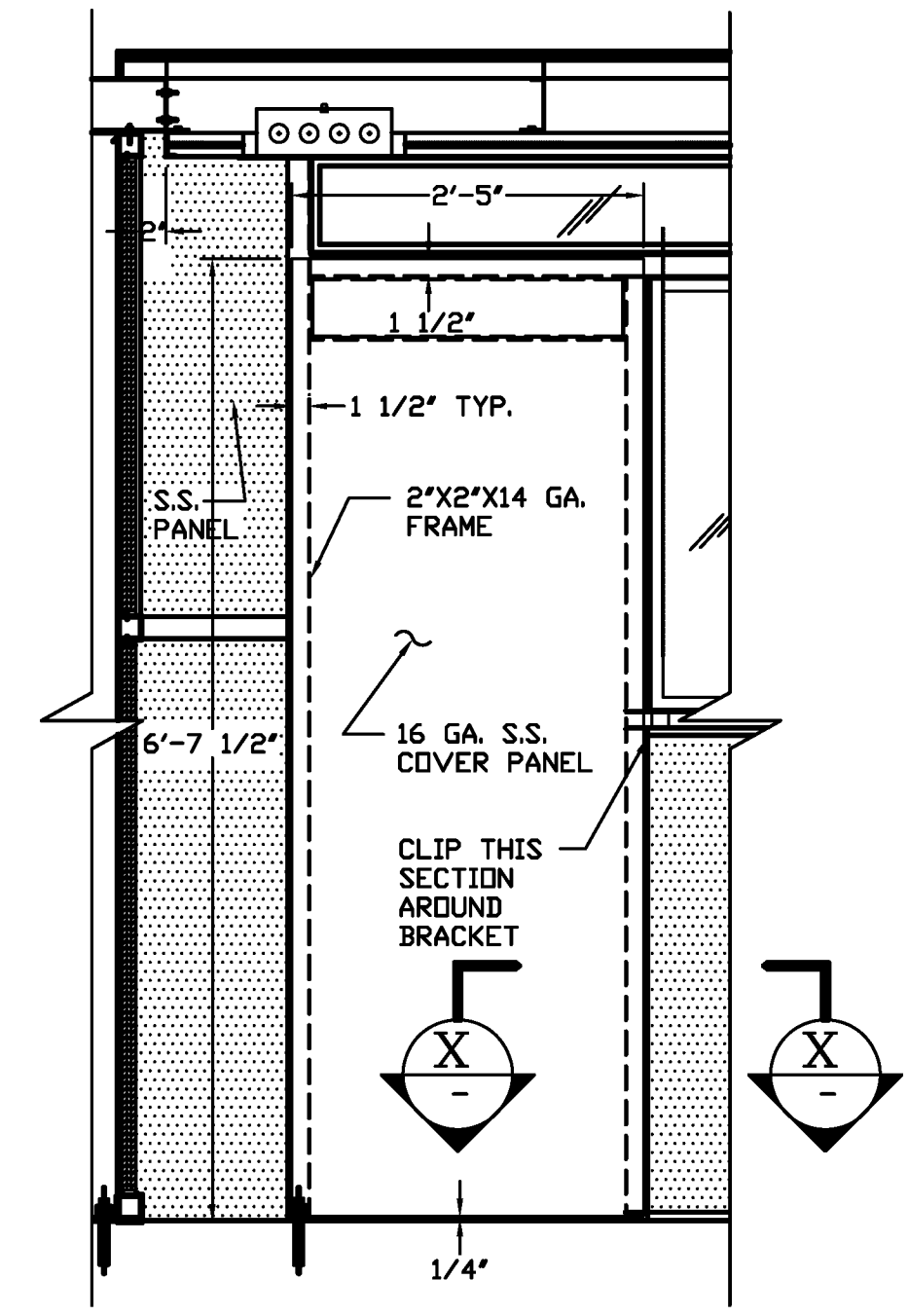


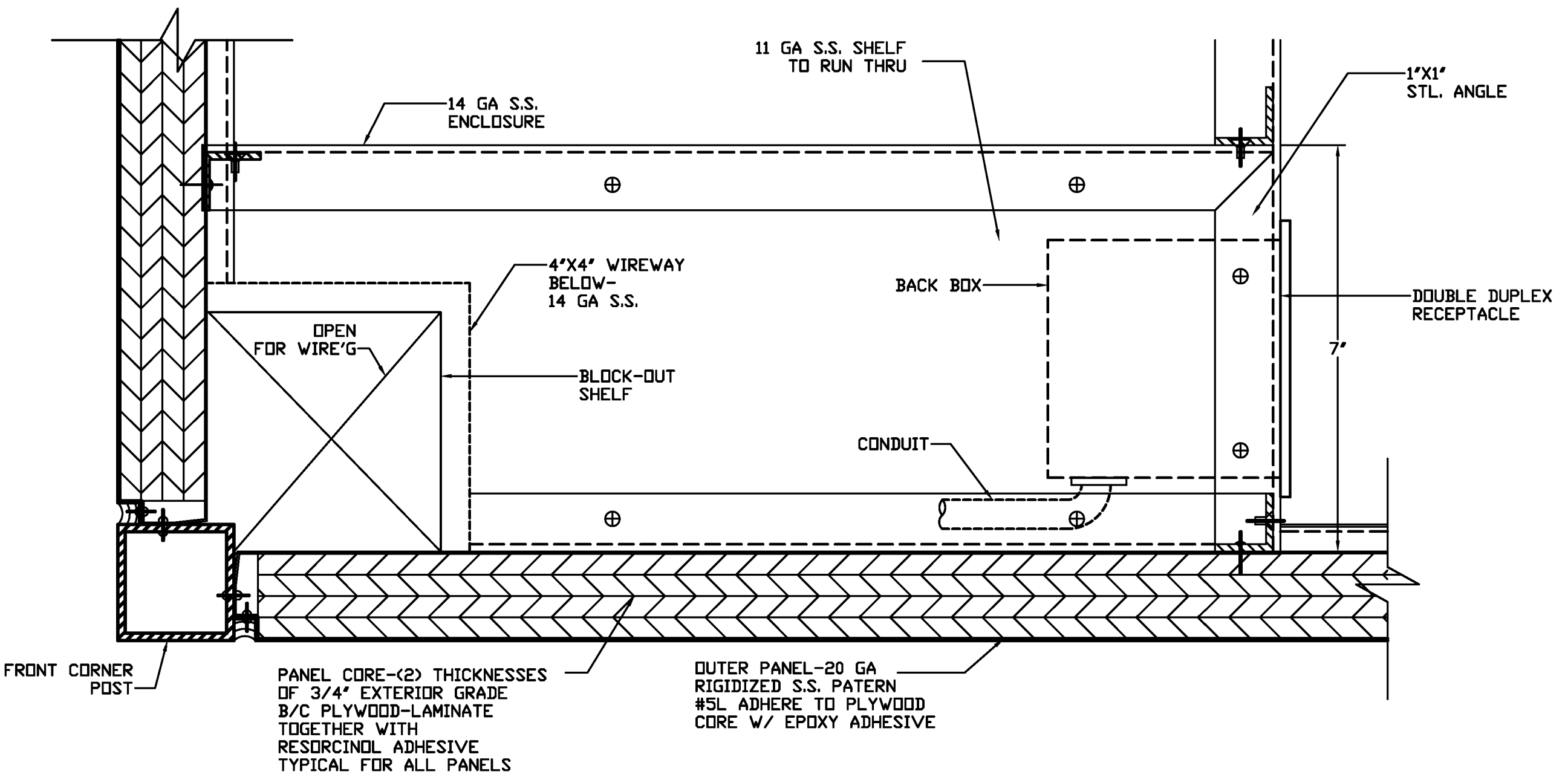
DETAIL D 103
SCALE: 6" - 1'-0"



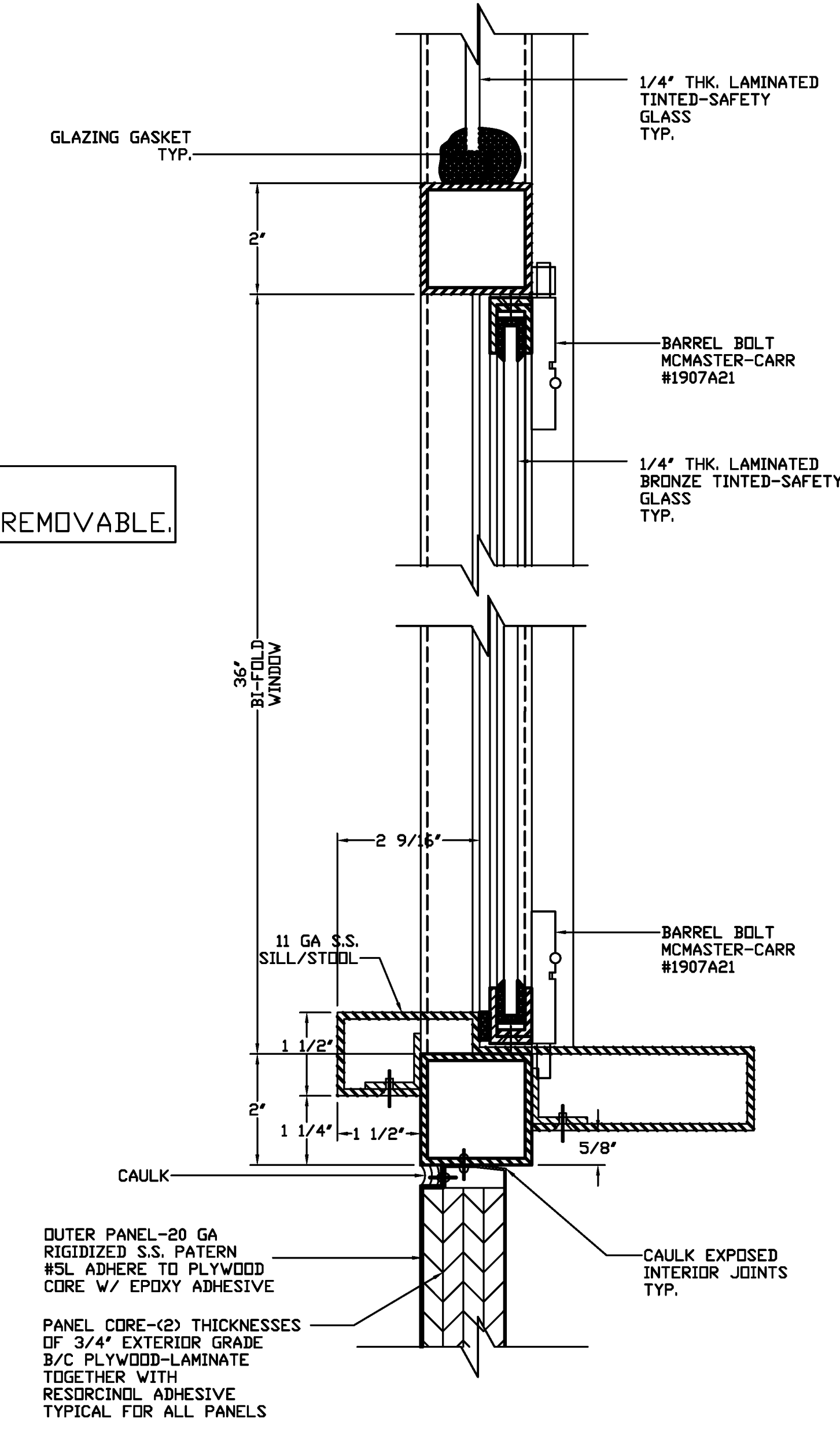
DETAIL D 105
SCALE: 6" - 1'-0"



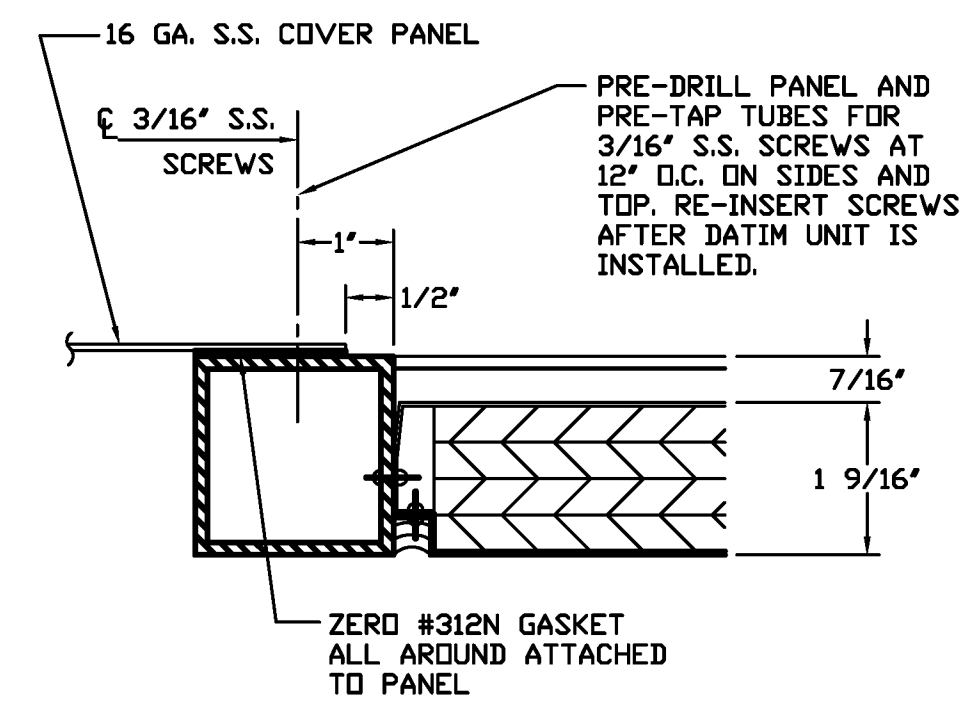
S.S. DATIM UNIT COVER PANEL
LOOKING FROM INSIDE OF ENCLOSURE
SCALE: 3/4" - 1'-0"



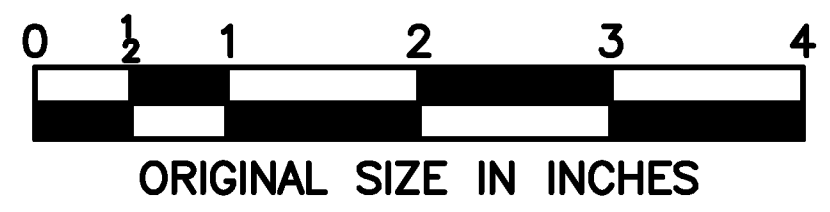
DETAIL D 104
SCALE: 6" - 1'-0"



DETAIL D 106
SCALE: 6" - 1'-0"



SECTION X-X
SCALE: 6" - 1'-0"



APP. NO.	02/10	DATE	ORIGINAL DRAWING
			REVISION

NEW JERSEY TURNPIKE AUTHORITY
NEW JERSEY TURNPIKE

DATIM ENCLOSURE
DETAILS

OFFICE OF THE CHIEF ENGINEER
WOODBRIIDGE, NEW JERSEY

2010 STANDARD
DRAWING
TB-10