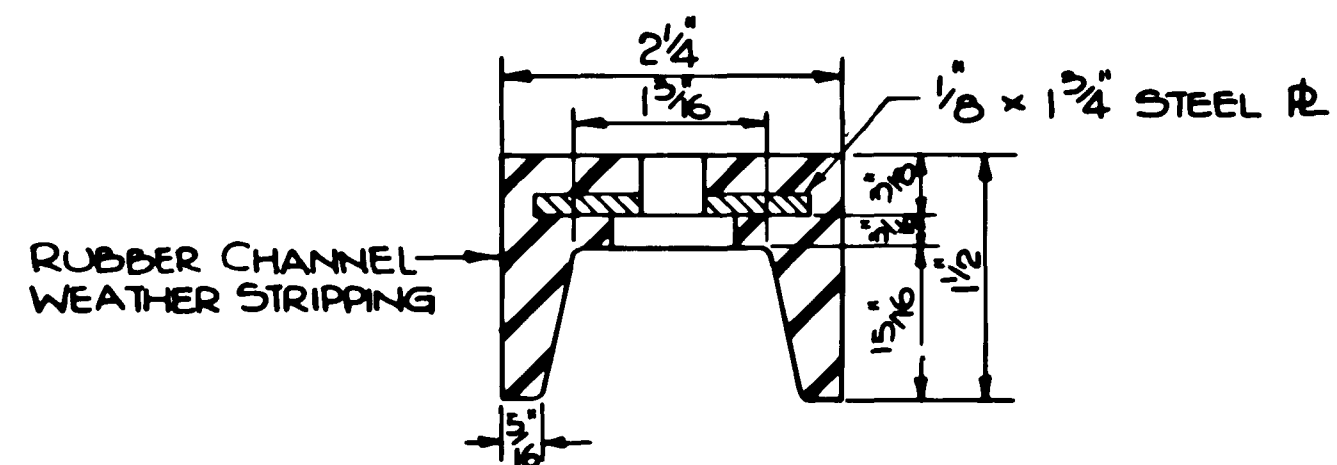
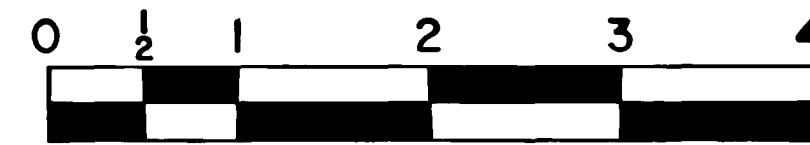


DOOR BUMPER STOP



SECTION A-A



ORIGINAL SIZE IN INCHES

NEW JERSEY TURNPIKE AUTHORITY	
NEW JERSEY TURNPIKE	
MISCELLANEOUS TOLL BOOTH DETAILS	
ENGINEERING DEPARTMENT NEW BRUNSWICK, NEW JERSEY	STANDARD DRAWING TB-7

3-87	REISSUED, CONFORMS TO 1987 SPECS
NO	DATE
	REVISION

CONTRACT NO.

SHEET NO.

OF