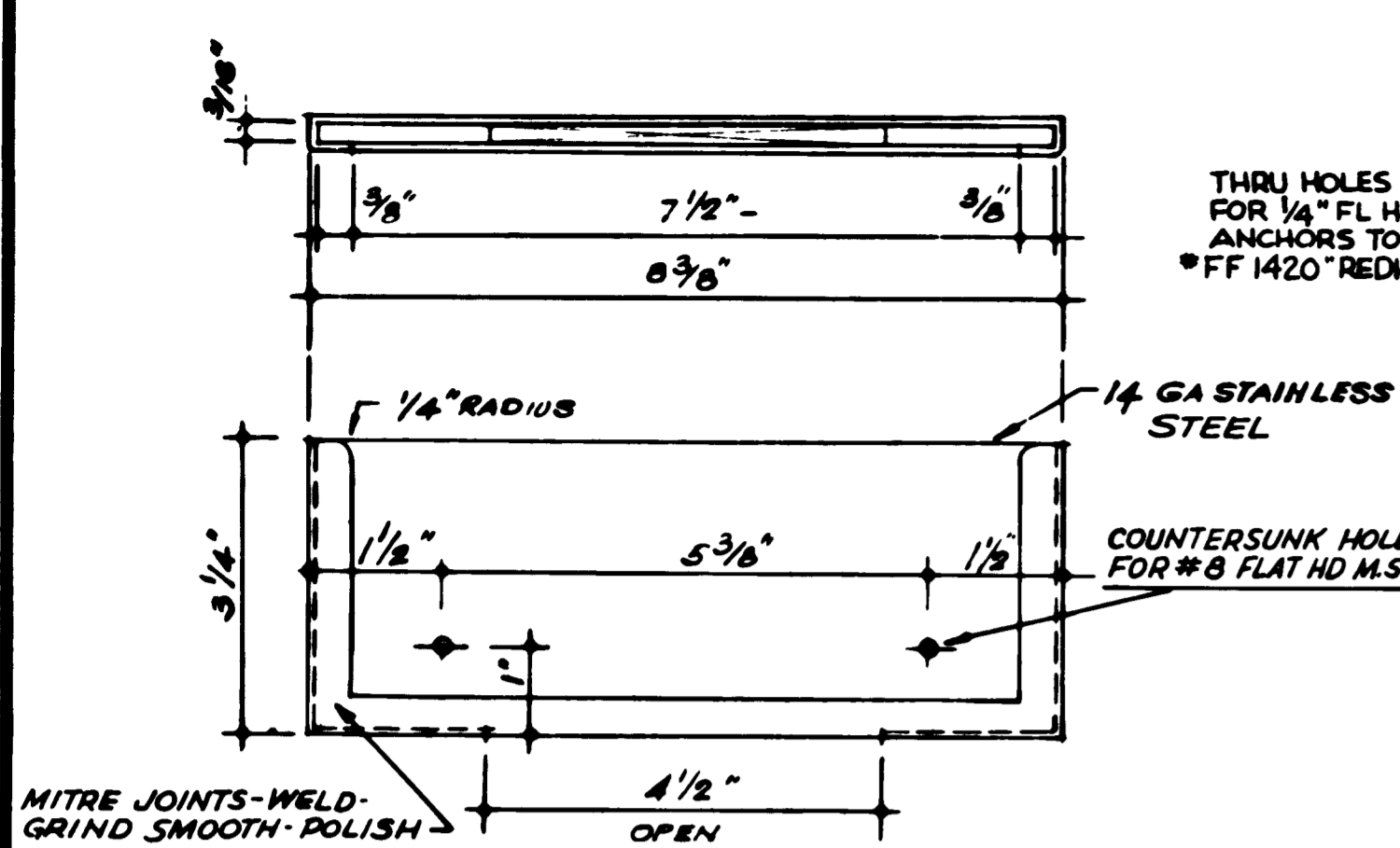
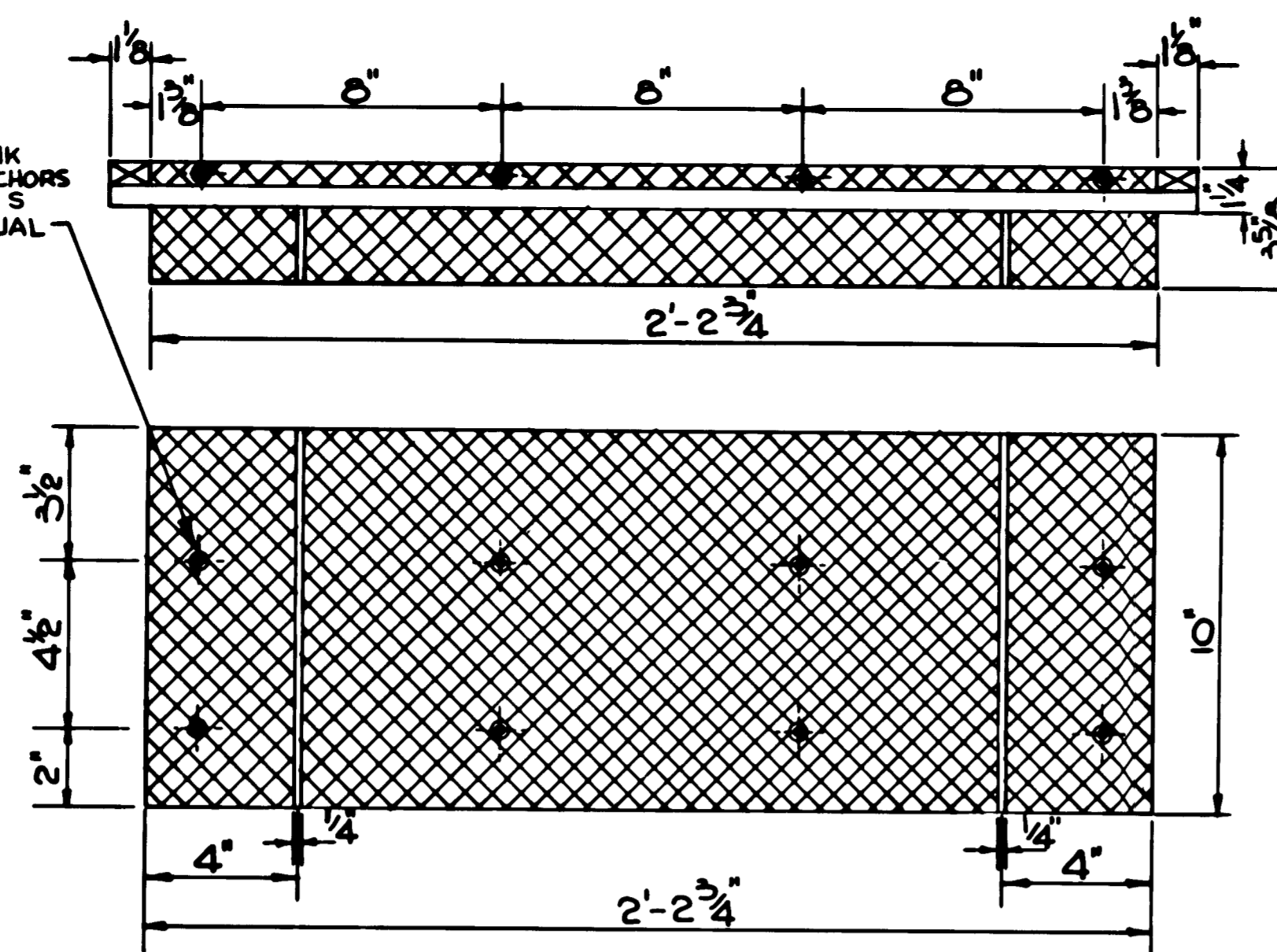


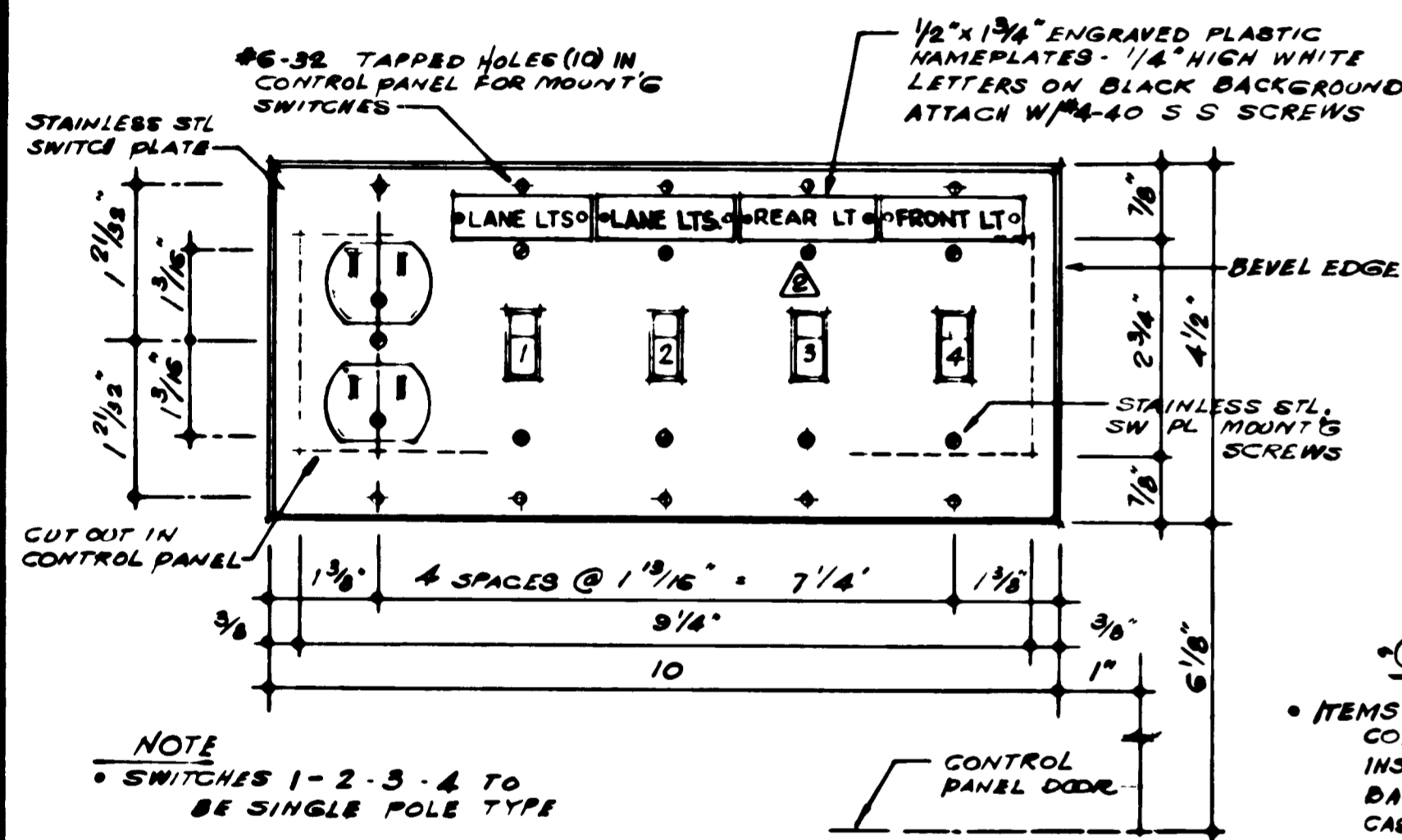
NOTE
3" x 8" NAME PLATE TO BE FURNISHED
AND INSTALLED BY THE NEW JERSEY
TURNPIKE AUTHORITY



TOP VIEW and ELEVATION OF
BOOTH NAME PLATE HOLDER
SCALE - HALF FULL SIZE



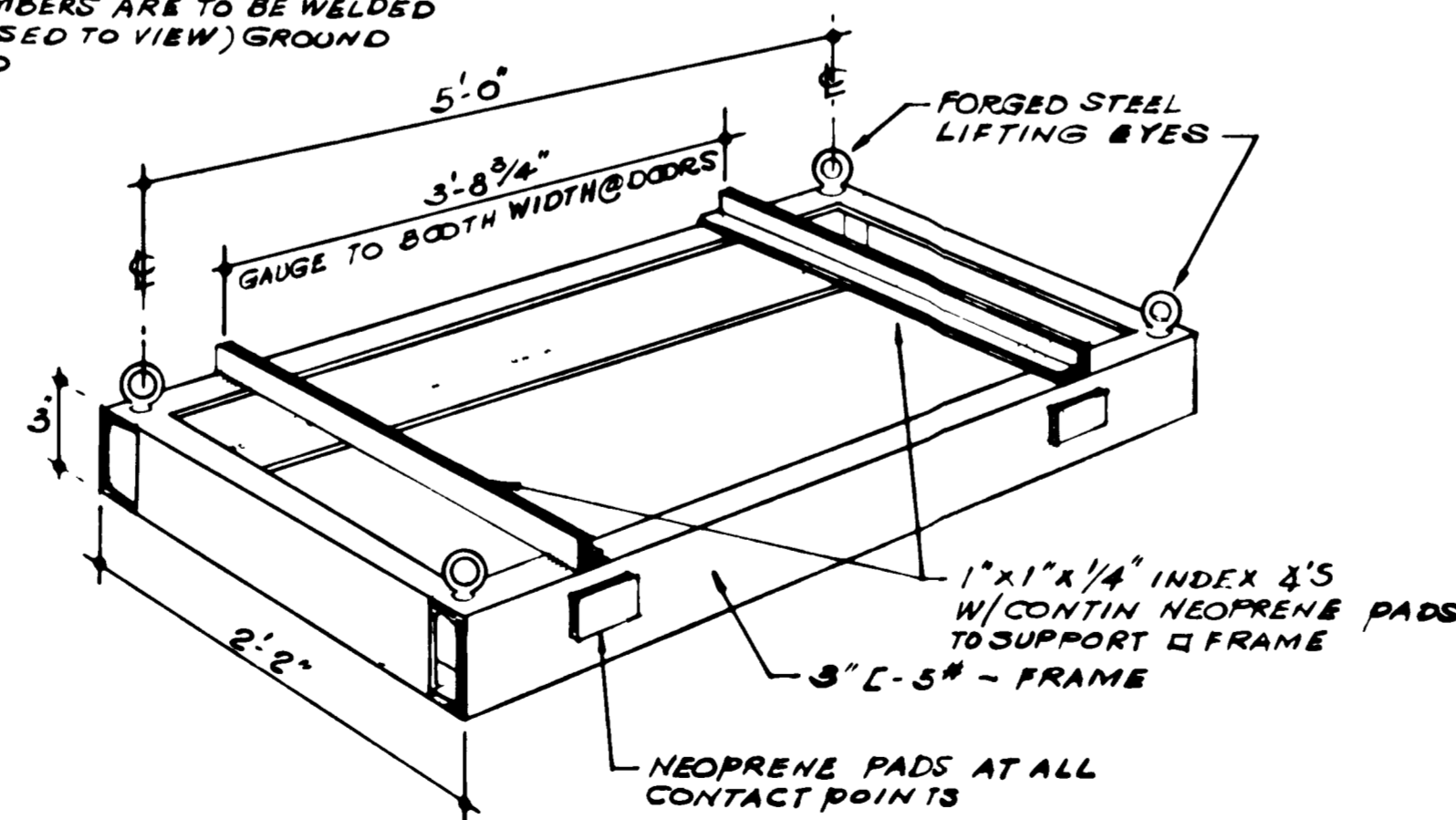
PLAN - TWO PIECE ABRASIVE THRESHOLD
FOR LOCATION & ADDITIONAL DETAILS SEE STD DWG. TB-6



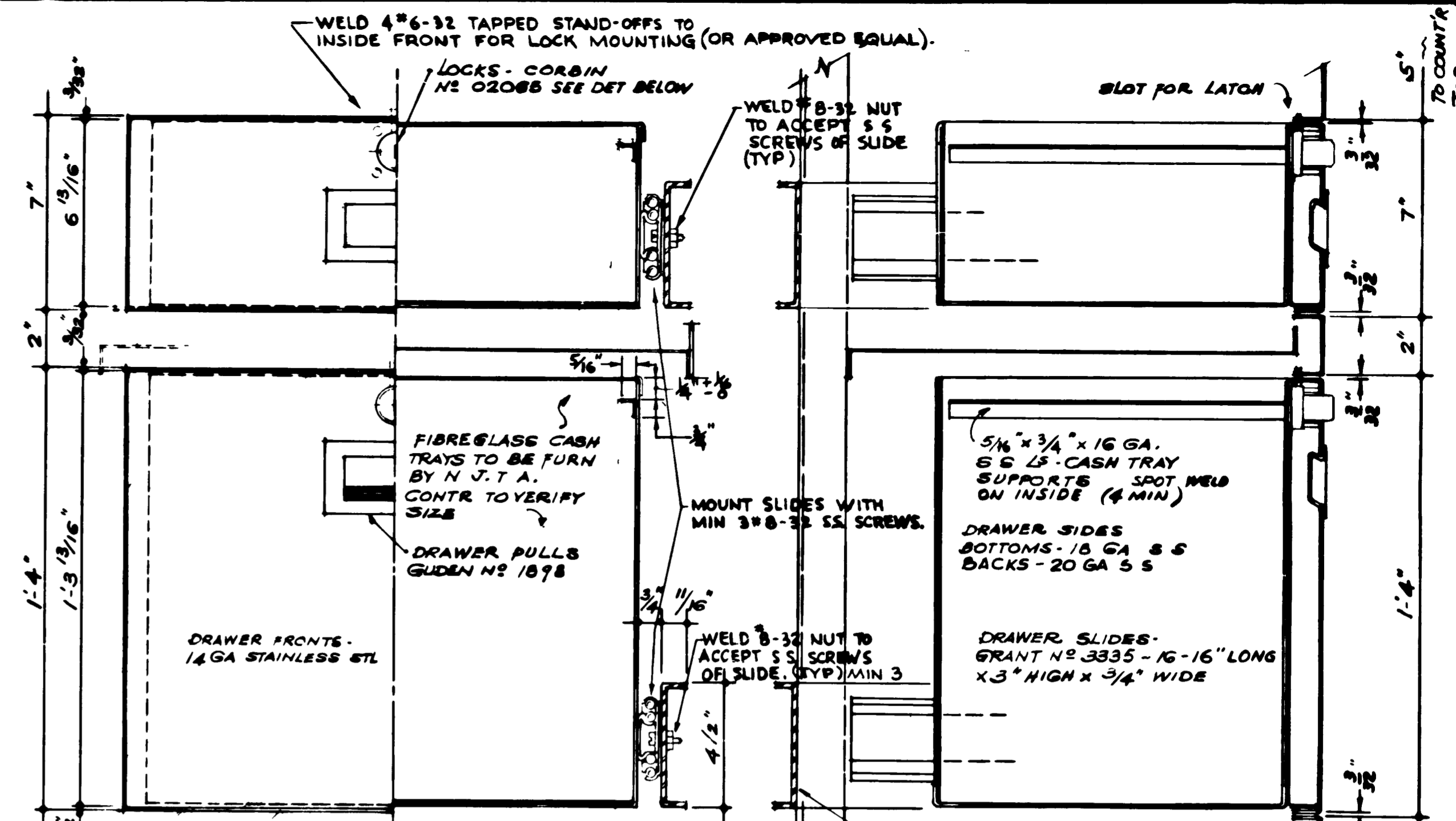
CONTROL PANEL SWITCHPLATE
SCALE - HALF FULL SIZE

GENERAL NOTES

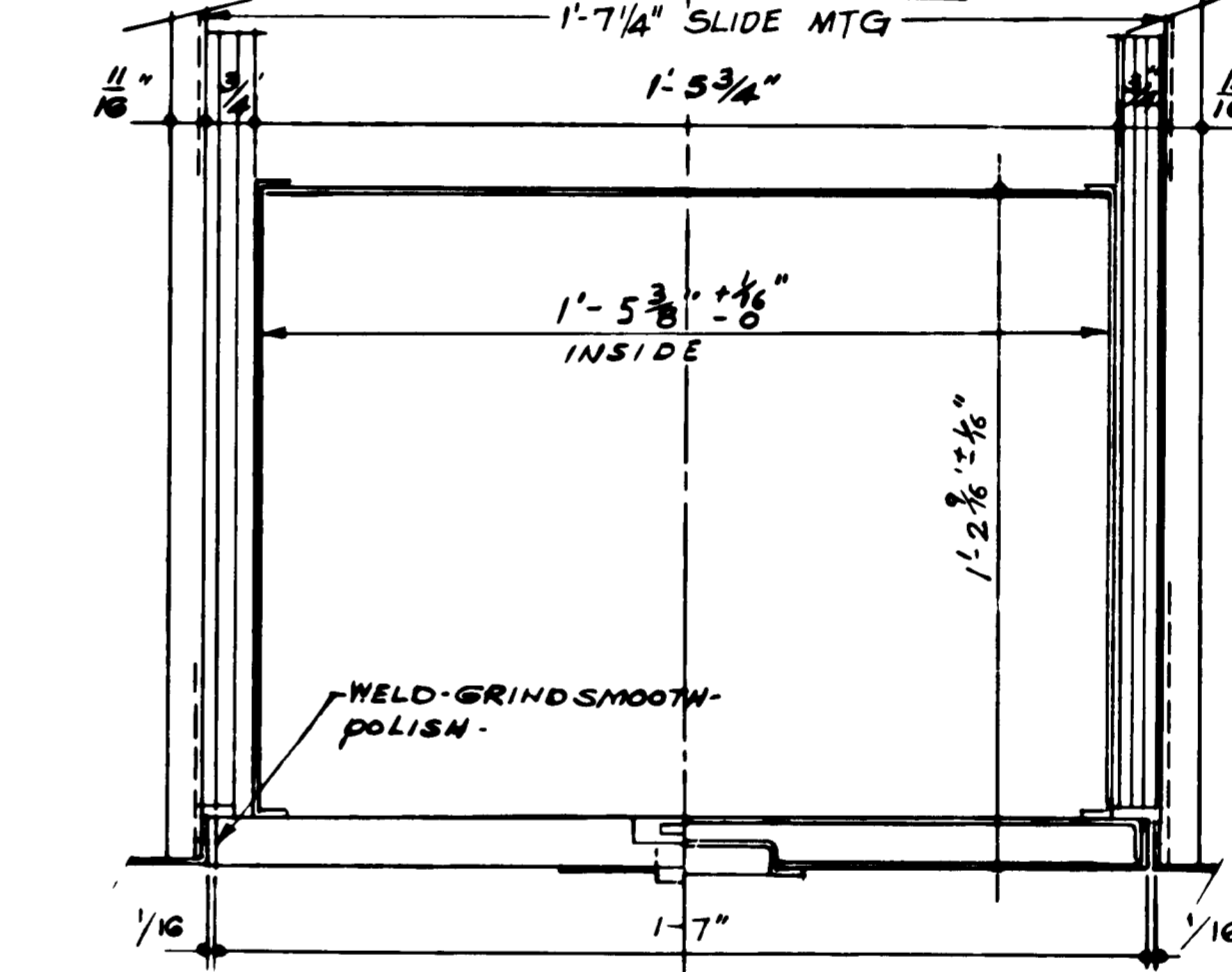
- ITEMS THAT ARE TO BE FURNISHED BY THE TOLL BOOTH CONTRACTOR BUT ARE TO BE ASSEMBLED AND/OR INSTALLED BY OTHERS AT THE SITE ARE:
 - BASE GASKETS AND CAULKING
 - CAST ABRASIVE THRESHOLDS W/S SLEEVE ANCHORS
 - MATTING AND FLOORING
 - DUTCH DOORS
 - WINDSCREENS
- ALL FASTENINGS UNLESS NOTED OTHERWISE ARE TO BE OF STAINLESS STEEL
- WHERE FASTENINGS (BOLTS, SCREWS OR BLIND RIVETS) ARE NOT INDICATED - MEMBERS ARE TO BE WELDED W/ WELDS (WHERE EXPOSED TO VIEW) GROUND SMOOTH AND POLISHED



ISOMETRIC VIEW OF
BOOTH LIFTING CRADLE
NOT TO SCALE

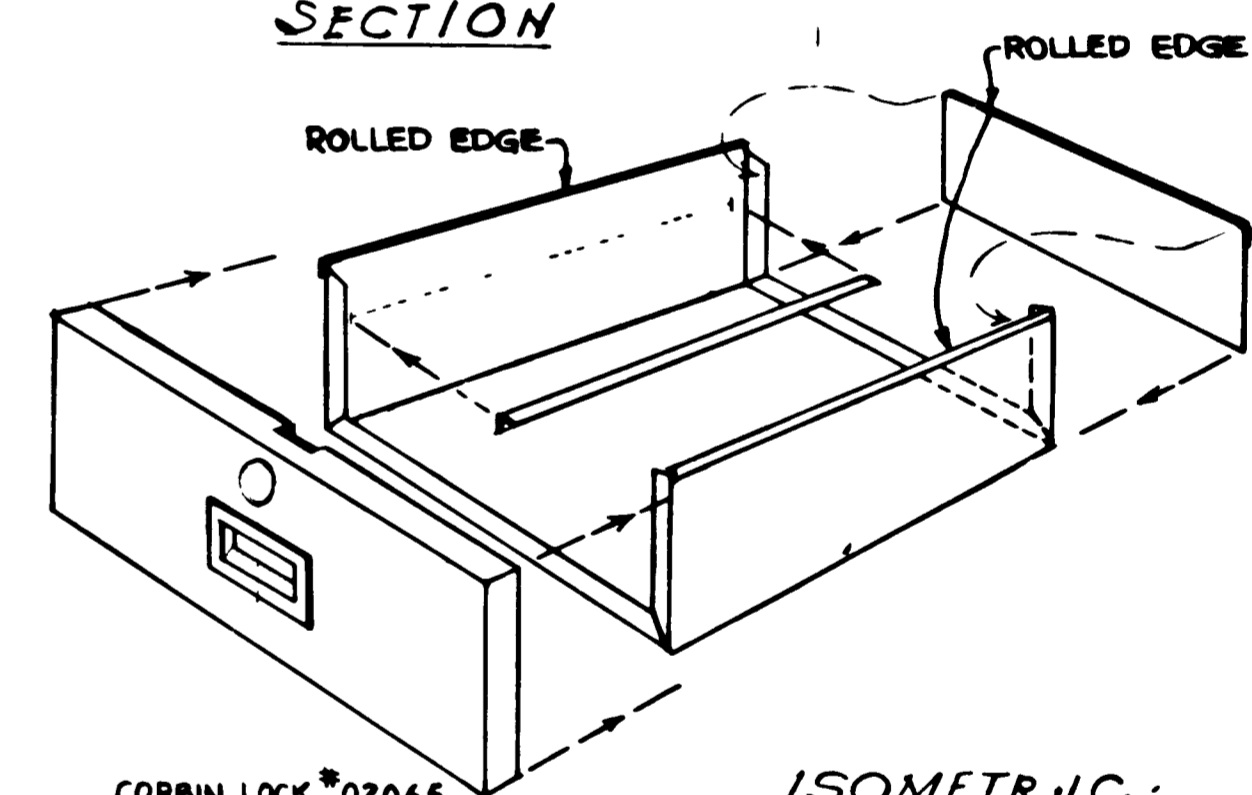


ELEVATION - SECTION

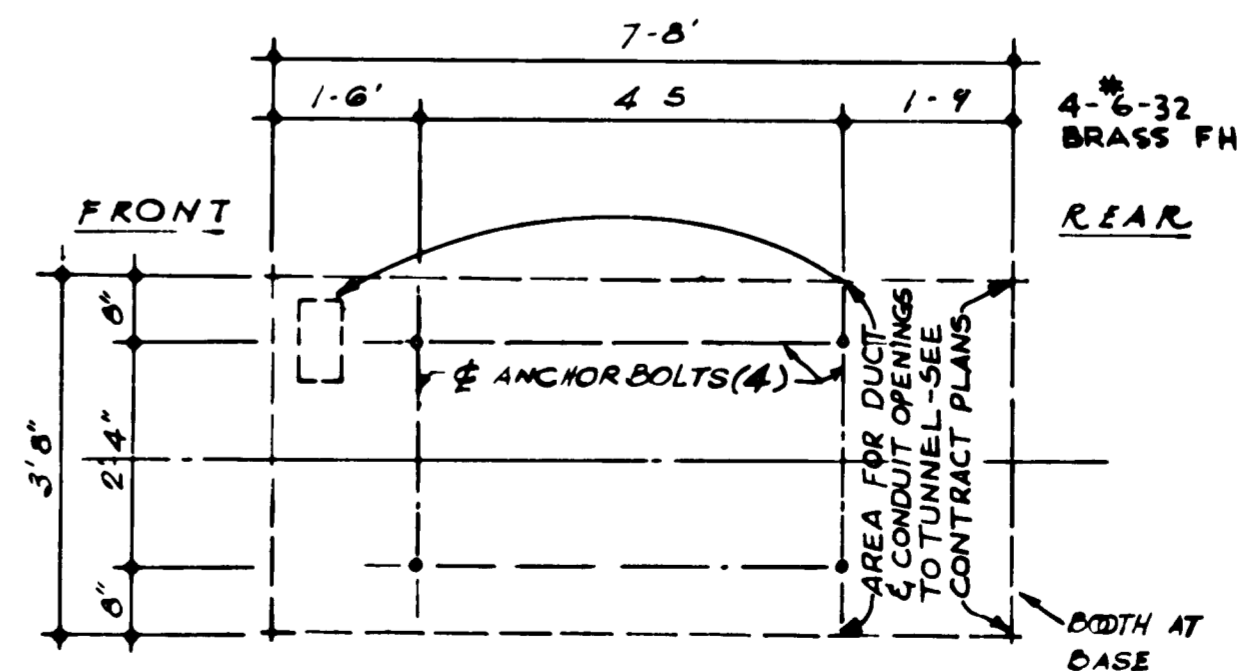


DRAWER PLAN - SECTION

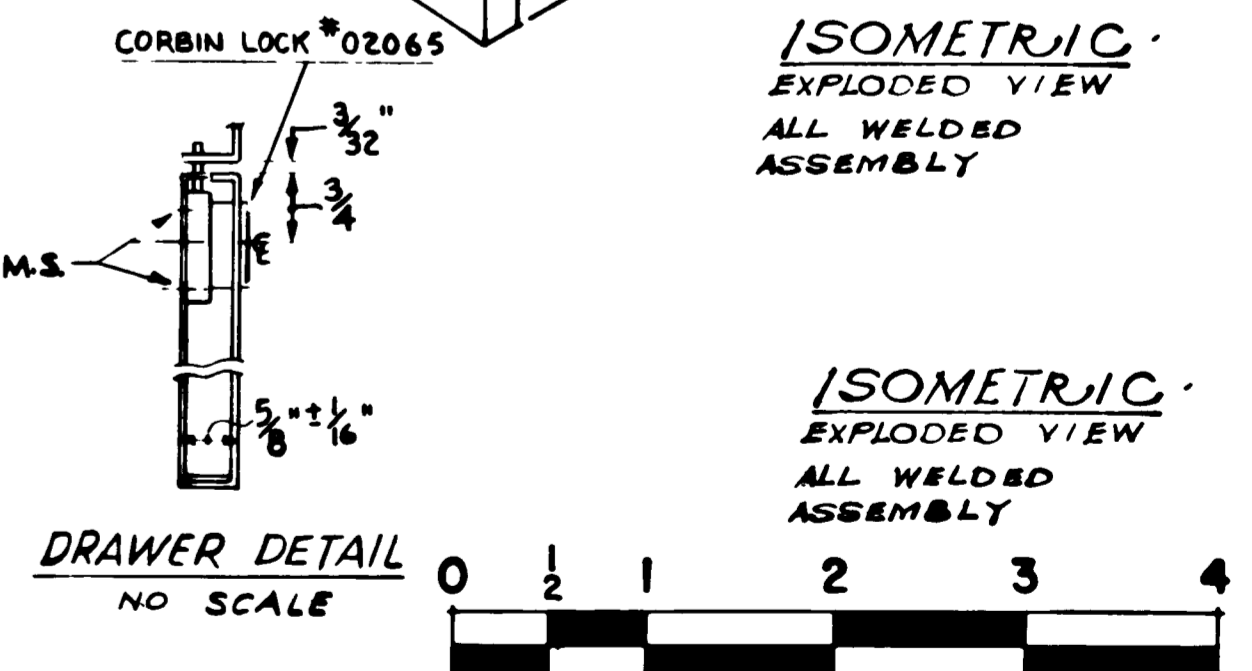
DRAWER DETAILS
SCALE 3" = 1'-0"



ISOMETRIC
EXPLODED VIEW
ALL WELDED
ASSEMBLY



ANCHOR BOLT LOCATION PLAN
SCALE 1/2" = 1'-0"
3/4" GALV BOLTS - SET IN CONCRETE TOLL ISLANDS BY OTHERS



DRAWER DETAIL
NO SCALE
ORIGINAL SIZE IN INCHES

MATERIAL DESIGNATIONS
(USED ON LARGE SCALE DETAILS)

- STEEL AND CAST IRON
- STAINLESS STEEL
- PLYWOOD
- SOLID NEOPRENE
- CLOSED CELL NEOPRENE
- COLORLITH
- FIBREGLAS INSULATION
- STYROFOAM INSULATION
- TEMPERED HARDBOARD

SYMBOLS

- SECTION DESIGNATION ON DRAWING N° ~ (IF NO # GIVEN - SECTION ON SAME DWG.)
- ELEVATION DESIGNATION ON DRAWING N° ~
- SECTION - LARGE SCALE ON DRAWING N° ~

ABBREVIATIONS

- CONTIN - CONTINUOUS
- DWG - DRAWING
- FH - FLAT HEAD
- GA - GAUGE
- GALV. - GALVANIZED
- HD - HEAD
- LGT FIX - LIGHTING FIXTURE
- MAX - MAXIMUM
- M.S. - MACHINE SCREW
- O.C. - ON CENTER
- OPG - OPENING
- SQ - SQUARE
- SS - STAINLESS STEEL
- STL - STEEL
- STR - STRAIGHT
- THK - THICK
- TYP - TYPICAL

NEW JERSEY TURNPIKE AUTHORITY		NEW JERSEY TURNPIKE	
MISCELLANEOUS TOLL BOOTH DETAILS			
ENGINEERING DEPARTMENT NEW BRUNSWICK, NEW JERSEY		STANDARD DRAWING TB-6	
NO	DATE	REVISION	
		3-87	REISSUED, CONFORMS TO 1987 SPECS