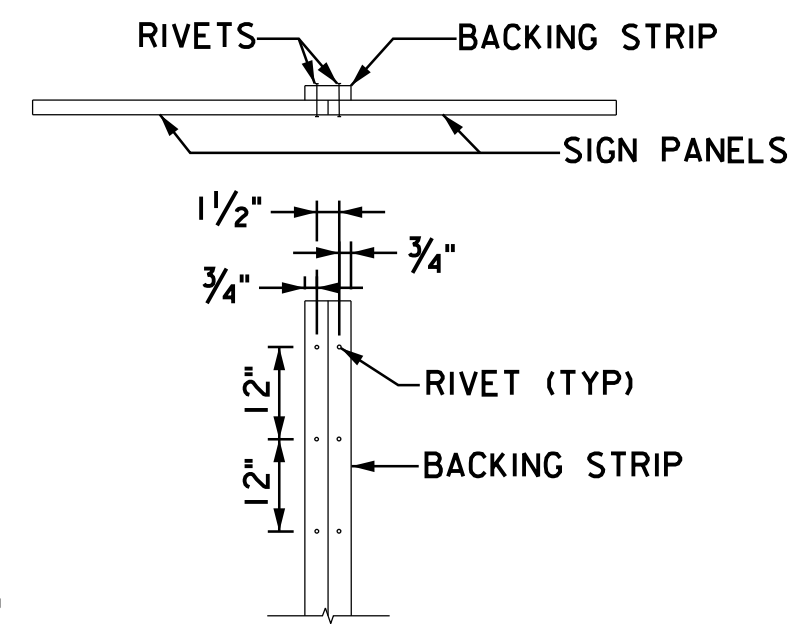
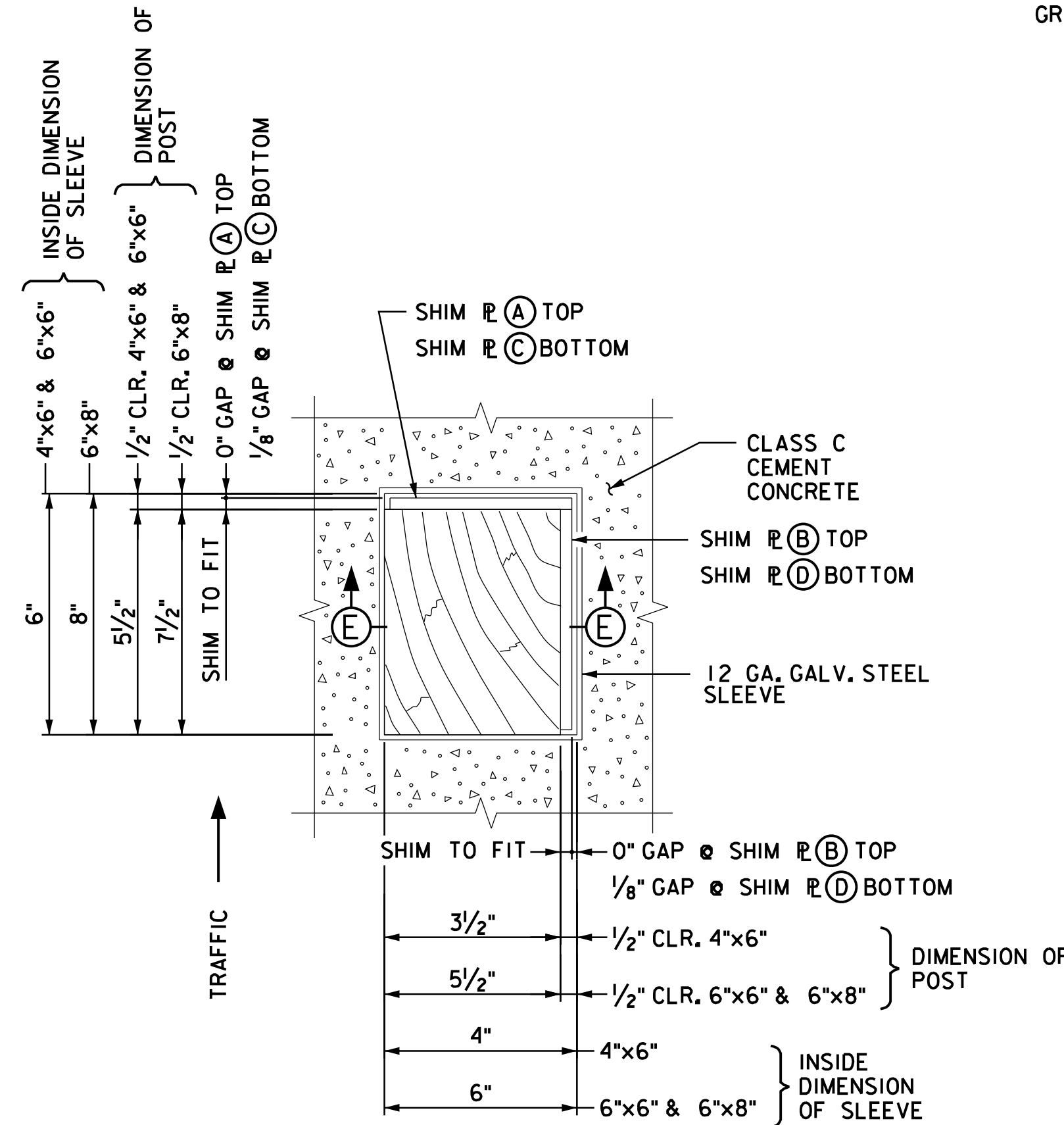
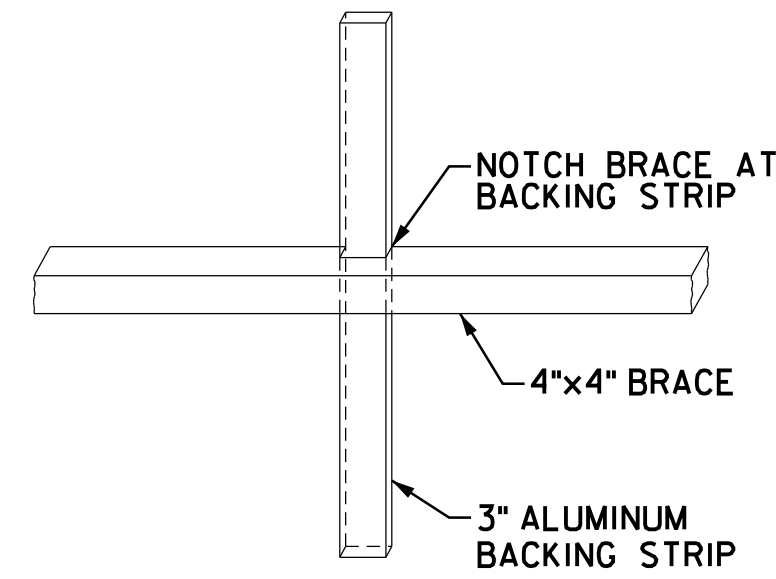


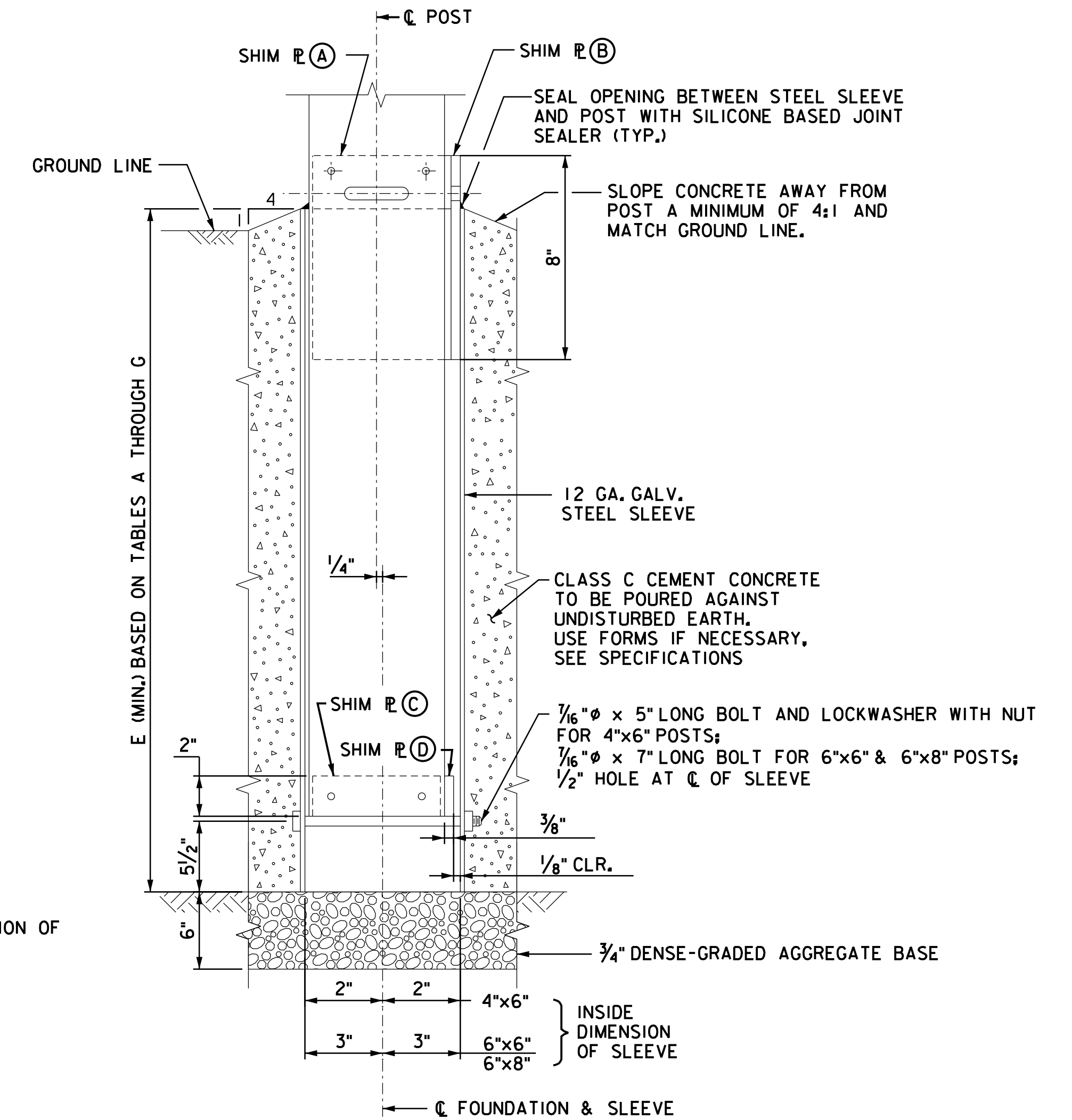
ALUMINUM BACKING STRIP DETAIL
N.T.S.



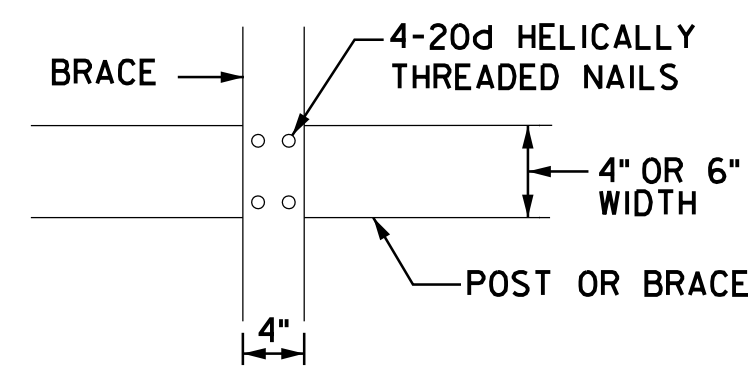
TYPICAL BUTT DETAIL
N.T.S.



SECTION D-D
N.T.S.

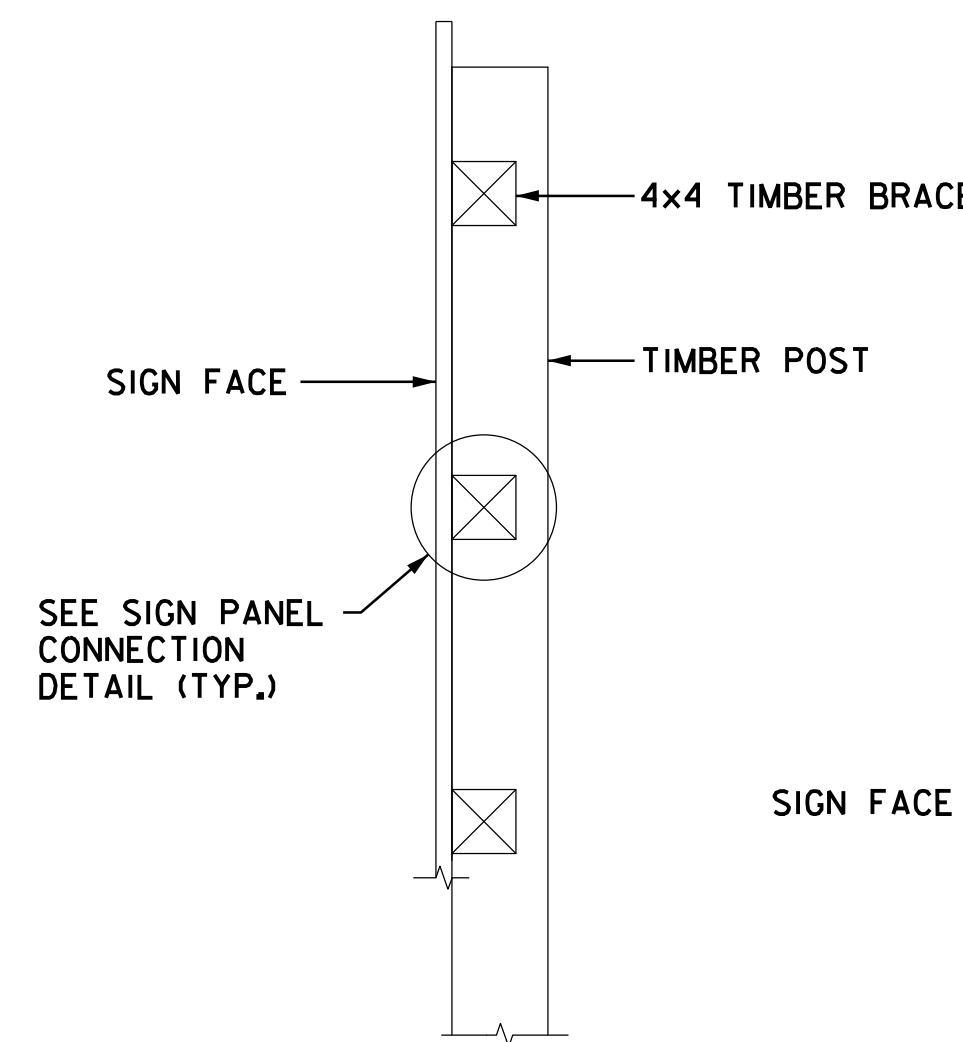
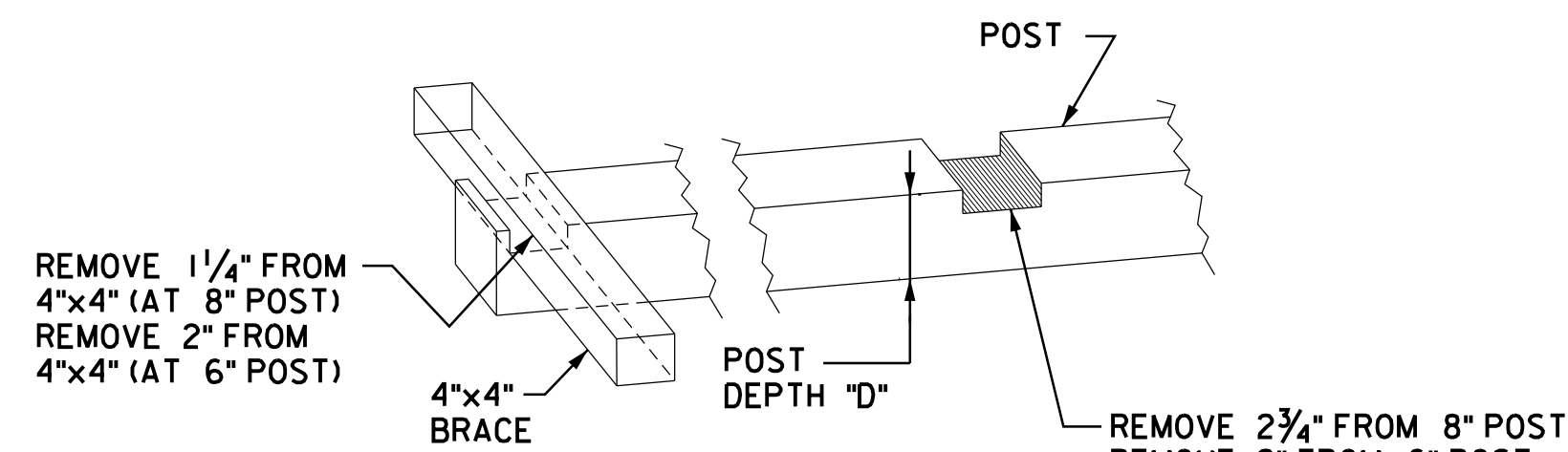


SECTION E-E
N.T.S.

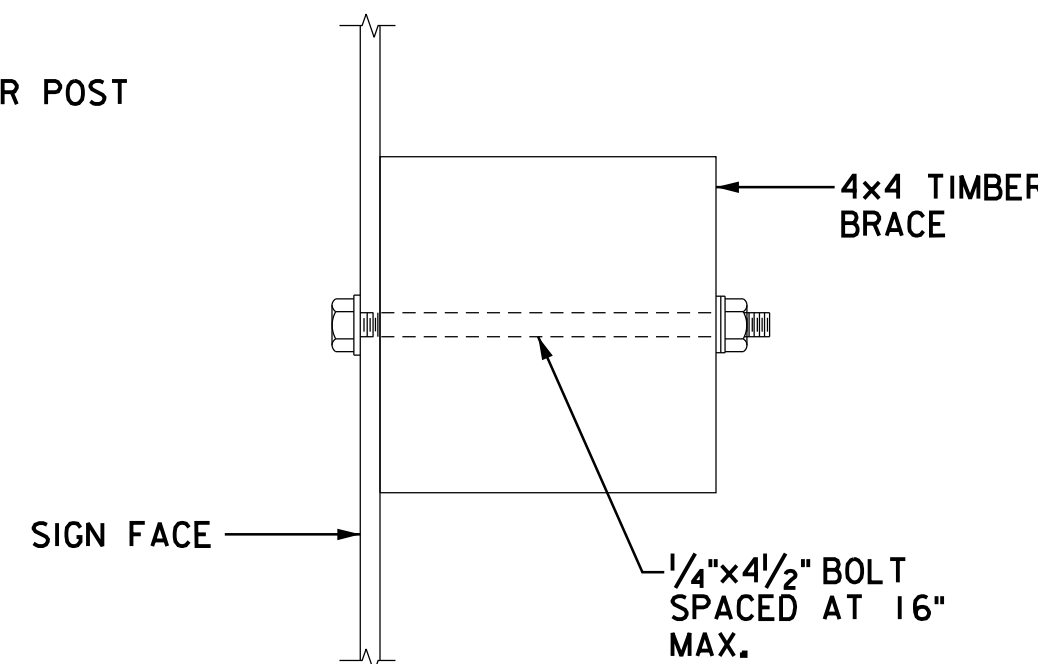


NOTE:
D = 8" FOR 6" x 8" POST
D = 6" FOR 6" x 6" POST AND 4" x 6" POST

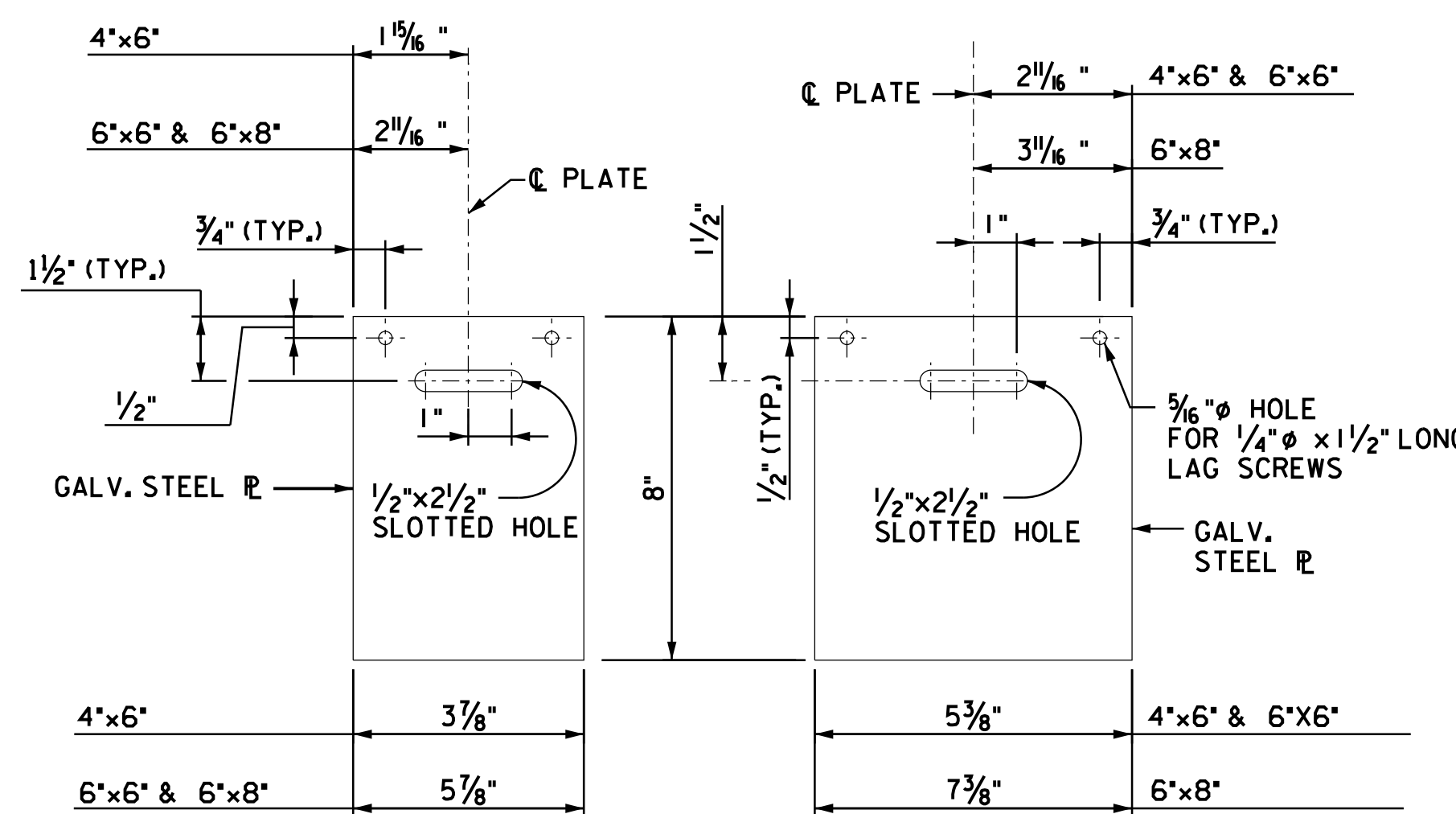
LAP JOINT DETAIL
N.T.S.



SECTION F-F
N.T.S.



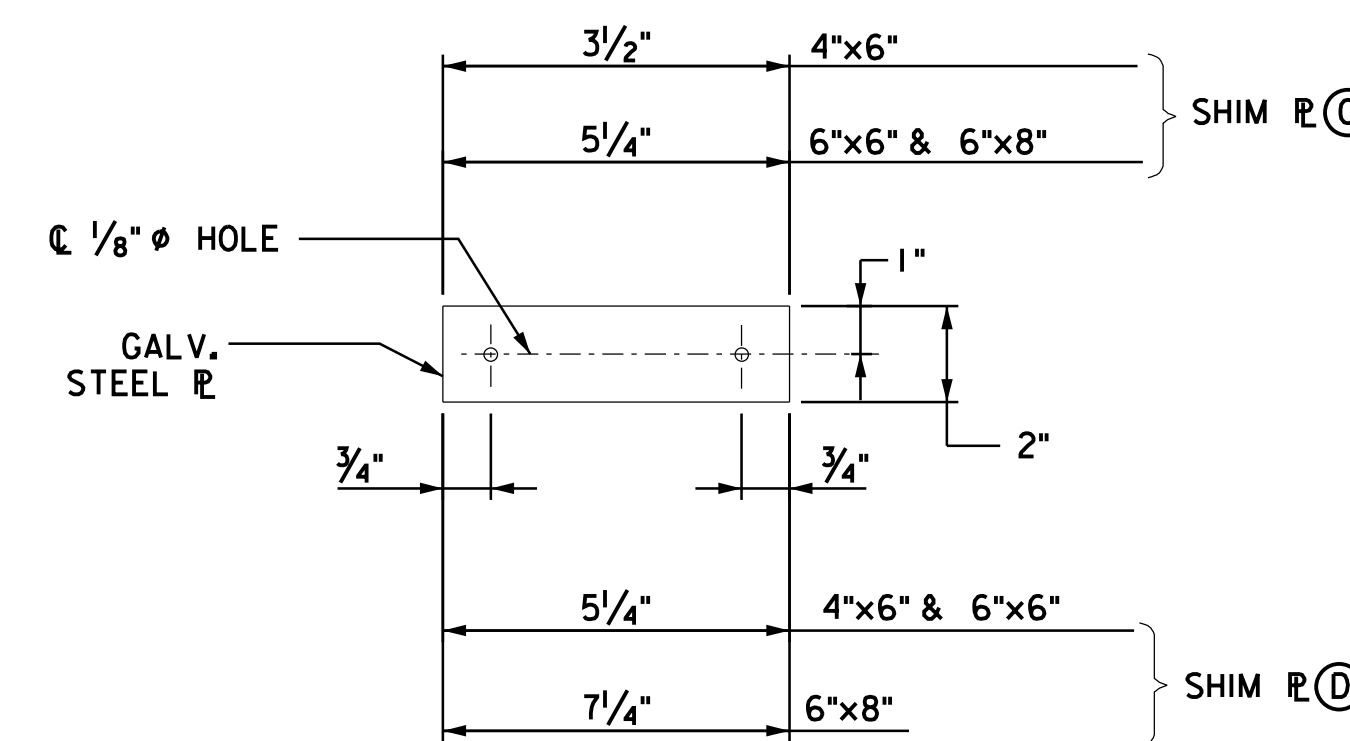
SIGN PANEL CONNECTION DETAIL
N.T.S.



SHIM PLATE (A)
N.T.S.

SHIM PLATE (B)
N.T.S.

NOTE:
SHIM THICKNESS AS REQUIRED TO TIGHTLY SECURE TIMBER POSTS



SHIM R(C)
SHIM R(D)
N.T.S.

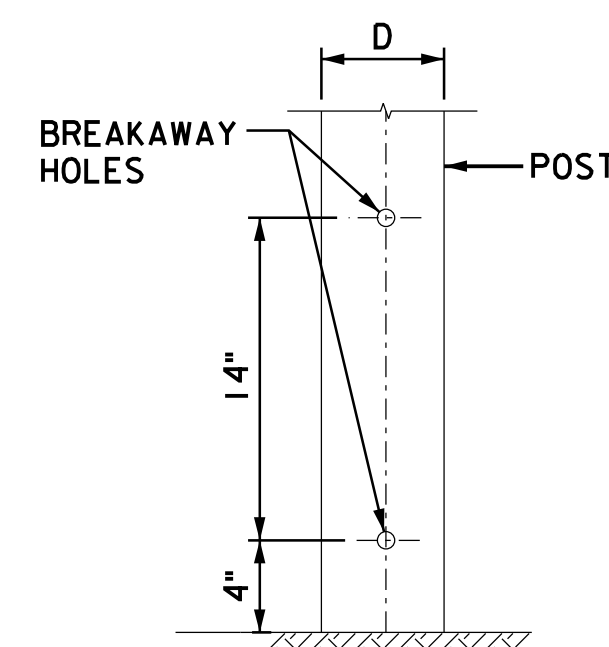
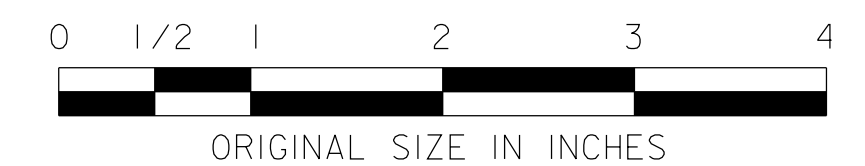
NOTES:
NAIL SHIM R TO POST TO HOLD SHIM R IN PLACE WHILE POST IS BEING PLACED.
USE 8D SINKER NAILS TO AVOID CONTACT BETWEEN NAIL AND SLEEVE

NOTES:

1. STEEL USED FOR SLEEVES AND SHIMS SHALL HAVE A MINIMUM YIELD STRENGTH OF 36 KSI.
2. STAINLESS STEEL BOLT, LOCKWASHER AND NUT SHALL BE AISI TYPE 304 STEEL AND MEET ASTM A320.

REFERENCES:

1. FOR GENERAL NOTES, SEE SHEET SI-43.
2. FOR LOCATION OF SECTION D-D, SEE SHEETS SI-43 TO SI-45.
3. FOR TABLES A THROUGH G, SEE SHEETS SI-43 TO SI-45



BREAKAWAY HOLE DETAIL
N.T.S.

NOTE:
BREAKAWAY POST DRILL HOLES SHALL BE PARALLEL TO SIGN PANEL FACE.

POST SIZE	NOMINAL DEPTH "D"	BREAKAWAY HOLE DIA.
4" x 6"	6"	1 1/2"
6" x 6"	6"	2"
6" x 8"	8"	3"

NEW JERSEY TURNPIKE AUTHORITY

NEW JERSEY TURNPIKE GARDEN STATE PARKWAY

GROUND MOUNTED SIGNS STRUCTURE DETAILS

OFFICE OF THE CHIEF ENGINEER NEW JERSEY TURNPIKE AUTHORITY	STANDARD DRAWING
WOODBRIDGE NEW JERSEY	SI-46

0	ORIGINAL DRAWING	6/16
REV.	DESCRIPTION	DATE