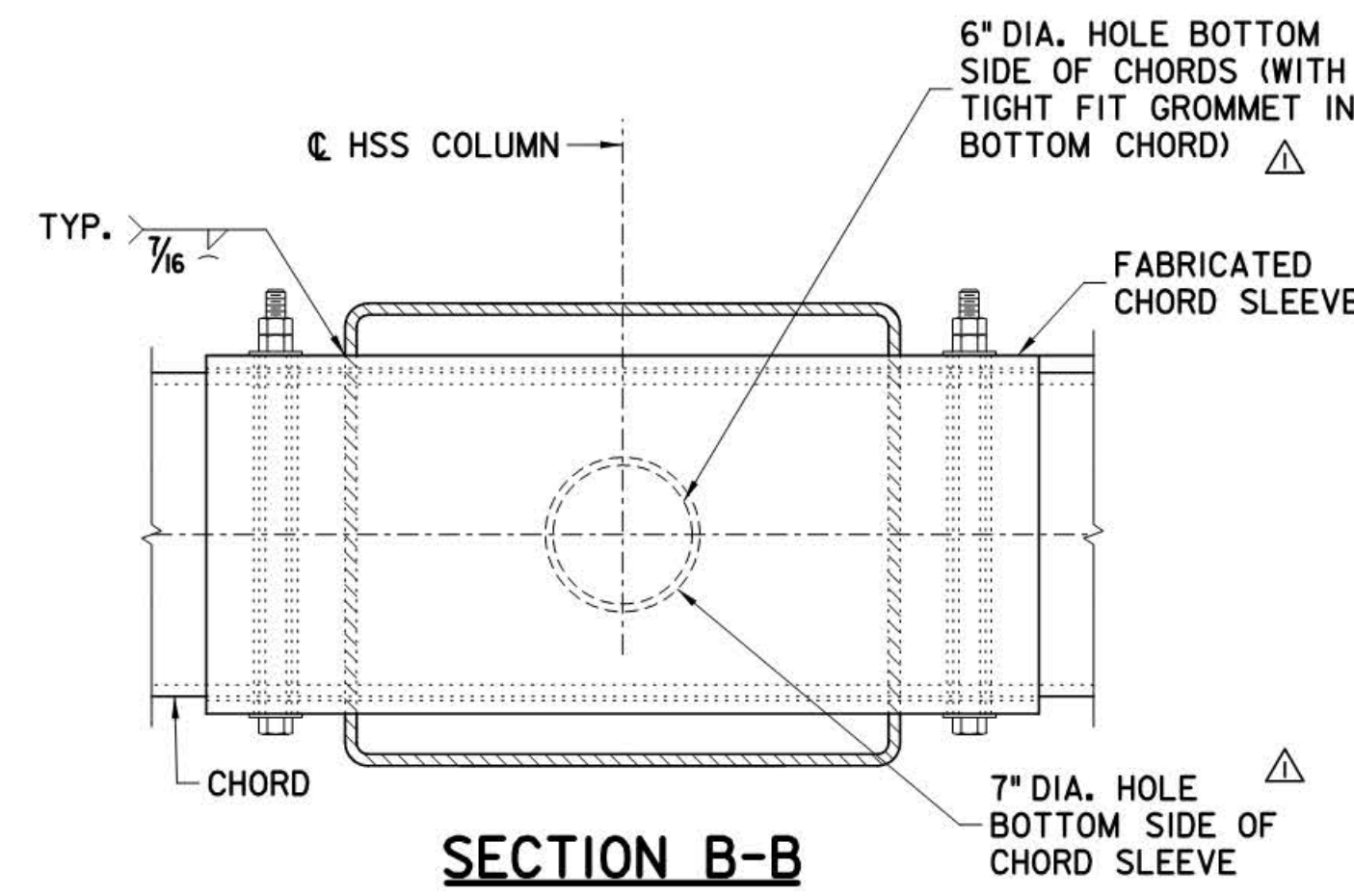


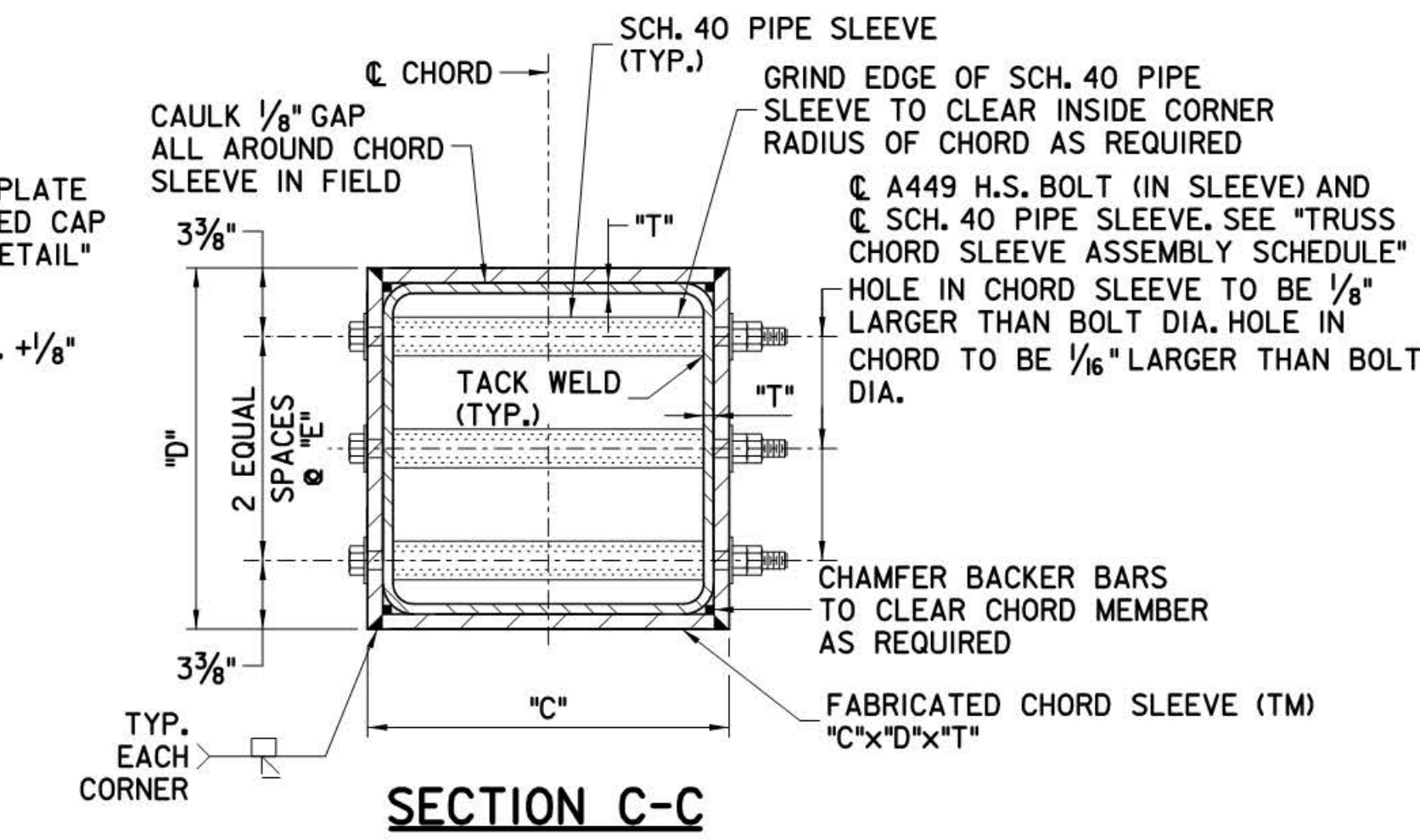
**ELEVATION**

**COLUMN SLEEVE CONNECTION DETAIL**

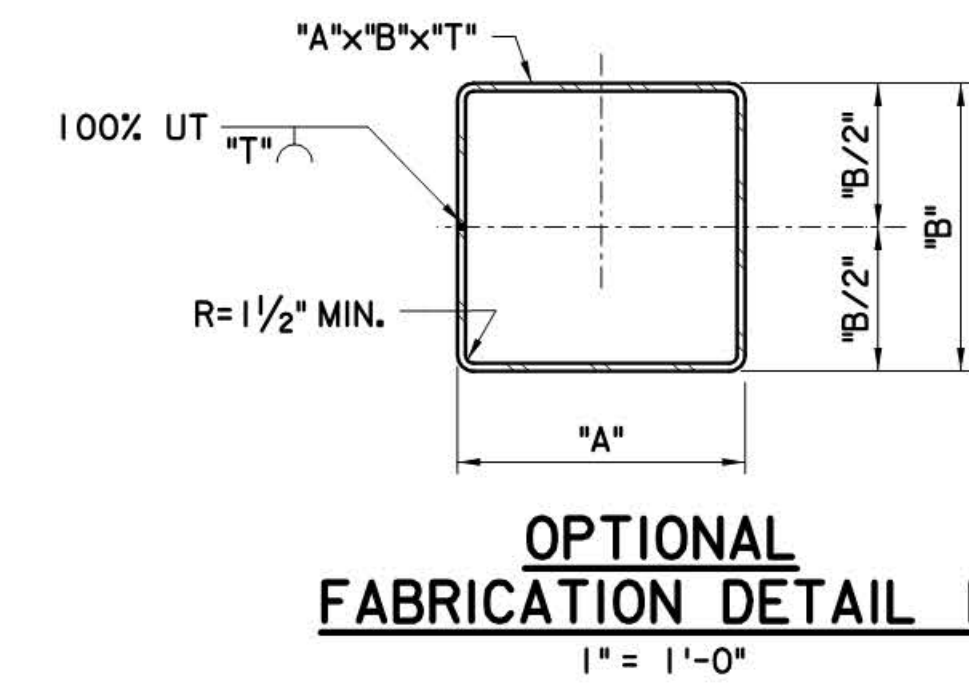
1 1/2" = 1'-0"



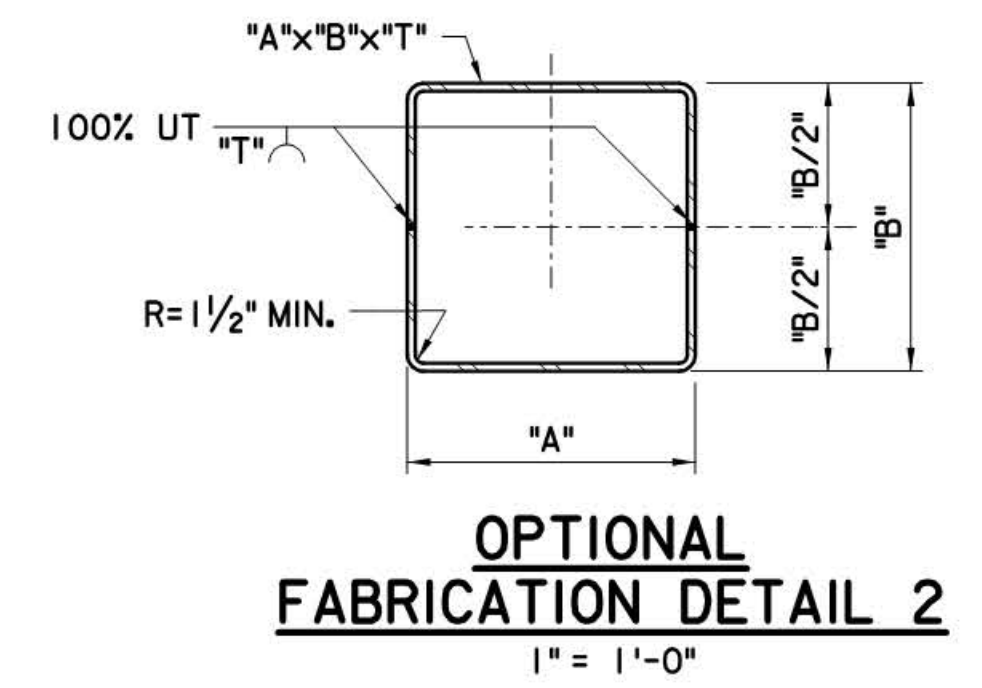
**SECTION B-B**



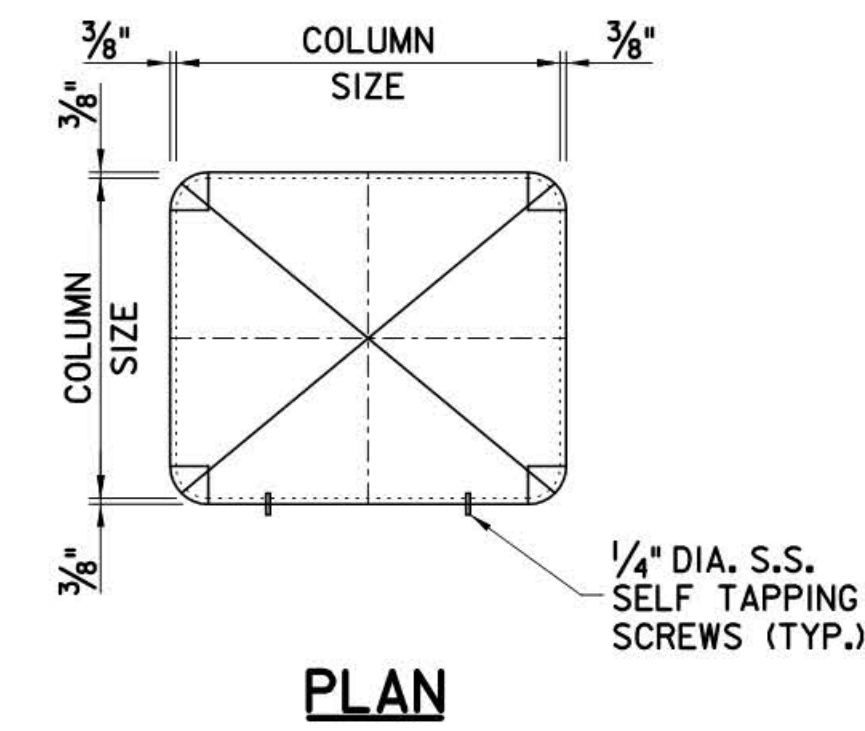
**SECTION C-C**



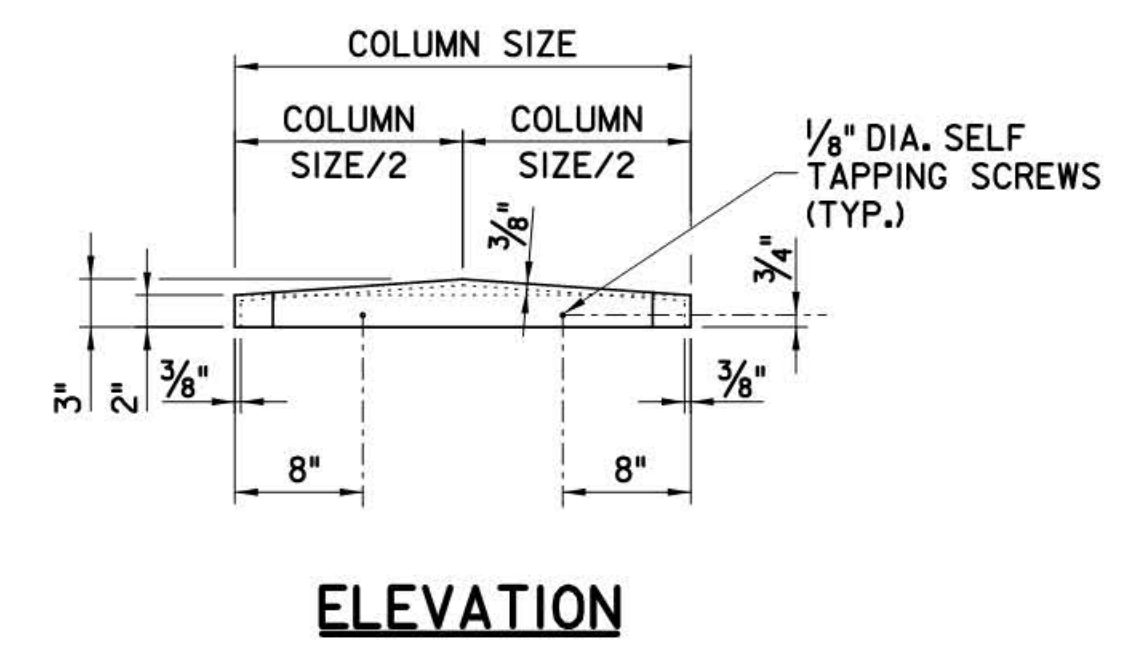
**OPTIONAL FABRICATION DETAIL 1**  
1" = 1'-0"



**OPTIONAL FABRICATION DETAIL 2**  
1" = 1'-0"



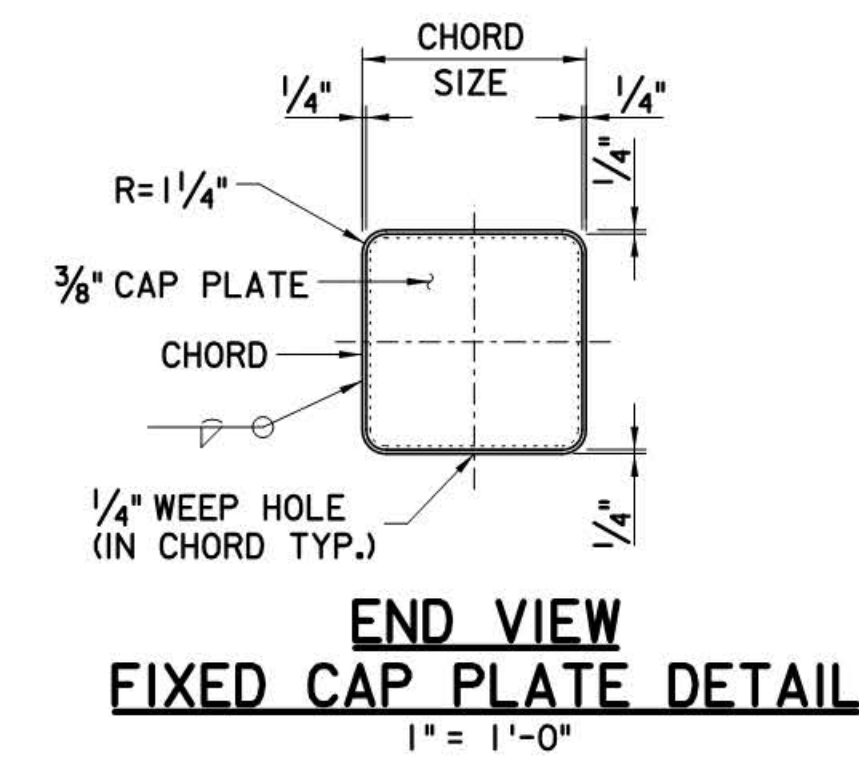
**PLAN**



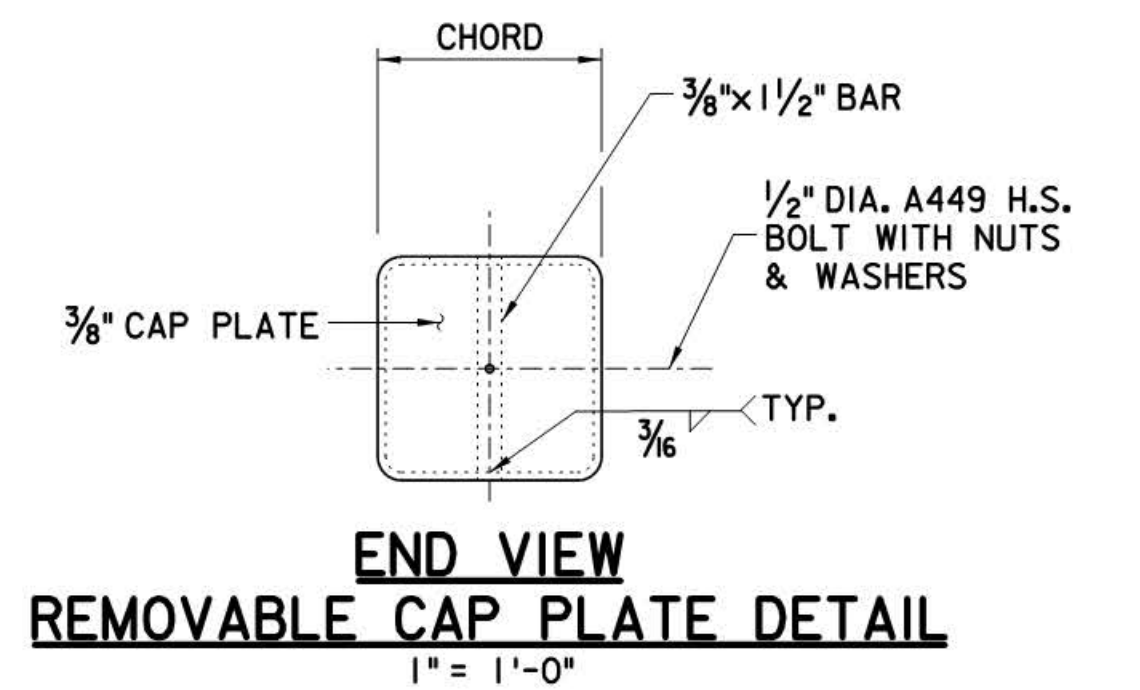
**ELEVATION**

**COLUMN CAP DETAIL**

1" = 1'-0"



**END VIEW FIXED CAP PLATE DETAIL**  
1" = 1'-0"



**END VIEW REMOVABLE CAP PLATE DETAIL**  
1" = 1'-0"

TRUSS CHORD SLEEVE ASSEMBLY SCHEDULE						
SPAN LENGTH (FT)	*MAX. PROVISIONAL SIGN PANEL AREA	CHORD SIZE (IN) HSS "A"x"B"x"T"	CHORD SLEEVE SIZE "C"x"D"x"T" (IN)	"E" (IN)	BOLT DIAMETER (IN)	SCH. 40 PIPE
						SLEEVE DIA. (IN)
20 ≤ TO ≤ 32	300	14x14x1/2	15 3/4 x 15 3/4 x 3/4	4 1/2	1 1/8	1 1/4
20 ≤ TO ≤ 32	540	14x14x1/2	15 3/4 x 15 3/4 x 3/4	4 1/2	1 1/8	1 1/4
< 32 TO ≤ 38	445	14x14x5/8	15 3/4 x 15 3/4 x 3/4	4 1/2	1 1/4	1 1/4
< 32 TO ≤ 38	648	14x14x5/8	16x16x7/8	4 5/8	1 3/8	1 1/2
< 38 TO 42 MAX.	445	16x16x5/8	17 3/4 x 17 3/4 x 3/4	5 1/2	1 3/8	1 1/2

\* FOR PROVISIONAL SIGN AREA LIMITATIONS SEE STANDARD DRAWING SI-35.

**NOTES:**

1. S.S. GROMMET SHALL BE McMASTER-CARR ITEM NO. 4911K12, OR APPROVED EQUAL.



APP.	NO.	DATE	REVISION
	2	08/15	REVISED WELD TESTING
	1	09/12	ADDED ELECTRICAL PROVISIONS
	0	10/10	ORIGINAL DRAWING

CONTRACT NO.

NEW JERSEY TURNPIKE AUTHORITY  
**GARDEN STATE PARKWAY**  
 VIERENDEEL CANTILEVER TYPE SIGN STRUCTURE  
 (SPANS FROM 20 TO 42 FEET)  
 DETAILS - 2

OFFICE OF THE CHIEF ENGINEER  
 NEW JERSEY TURNPIKE AUTHORITY

WOODBRIDGE NEW JERSEY

2010 STANDARD  
**DRAWING SI-37**

SHEET NO. OF