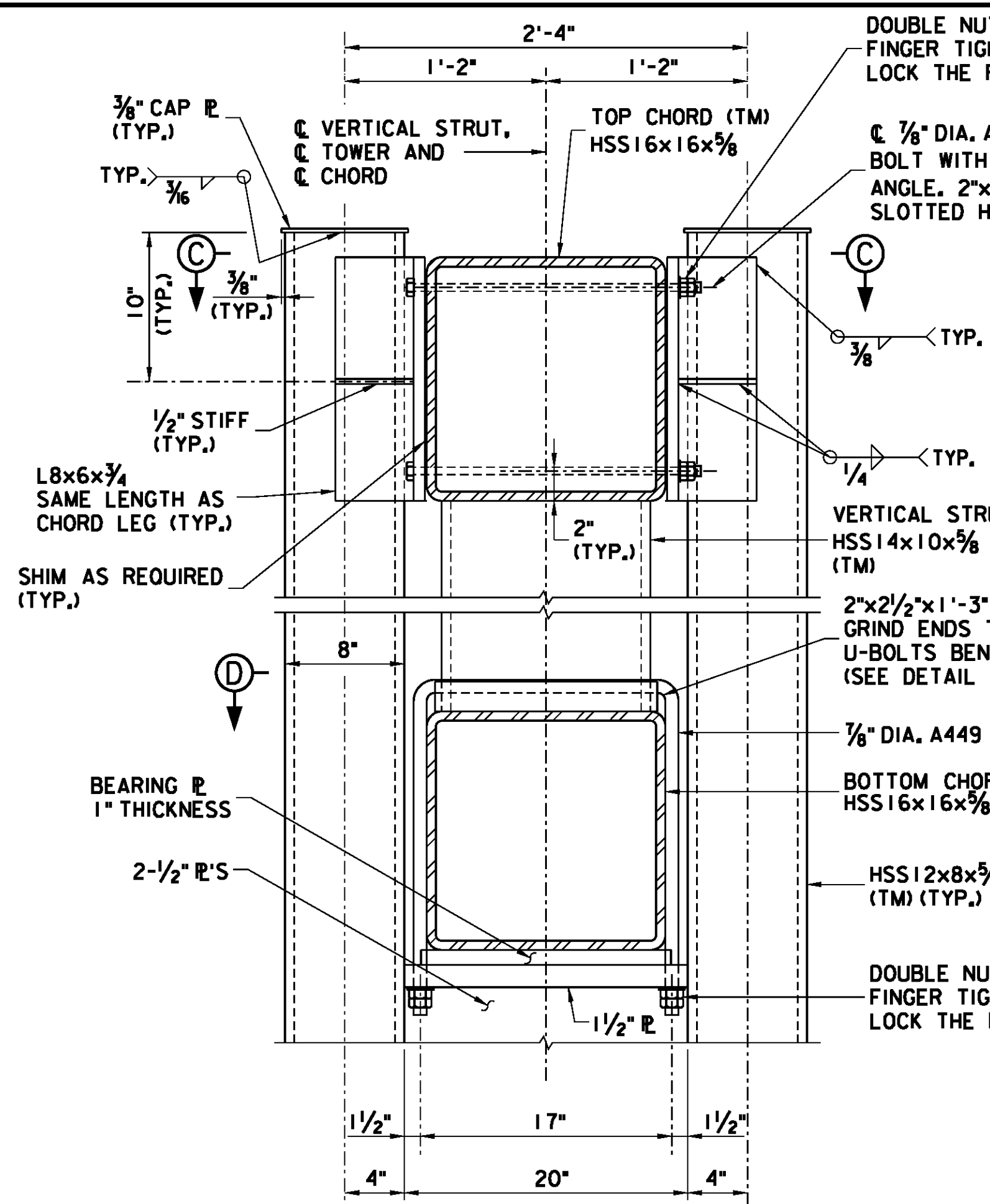
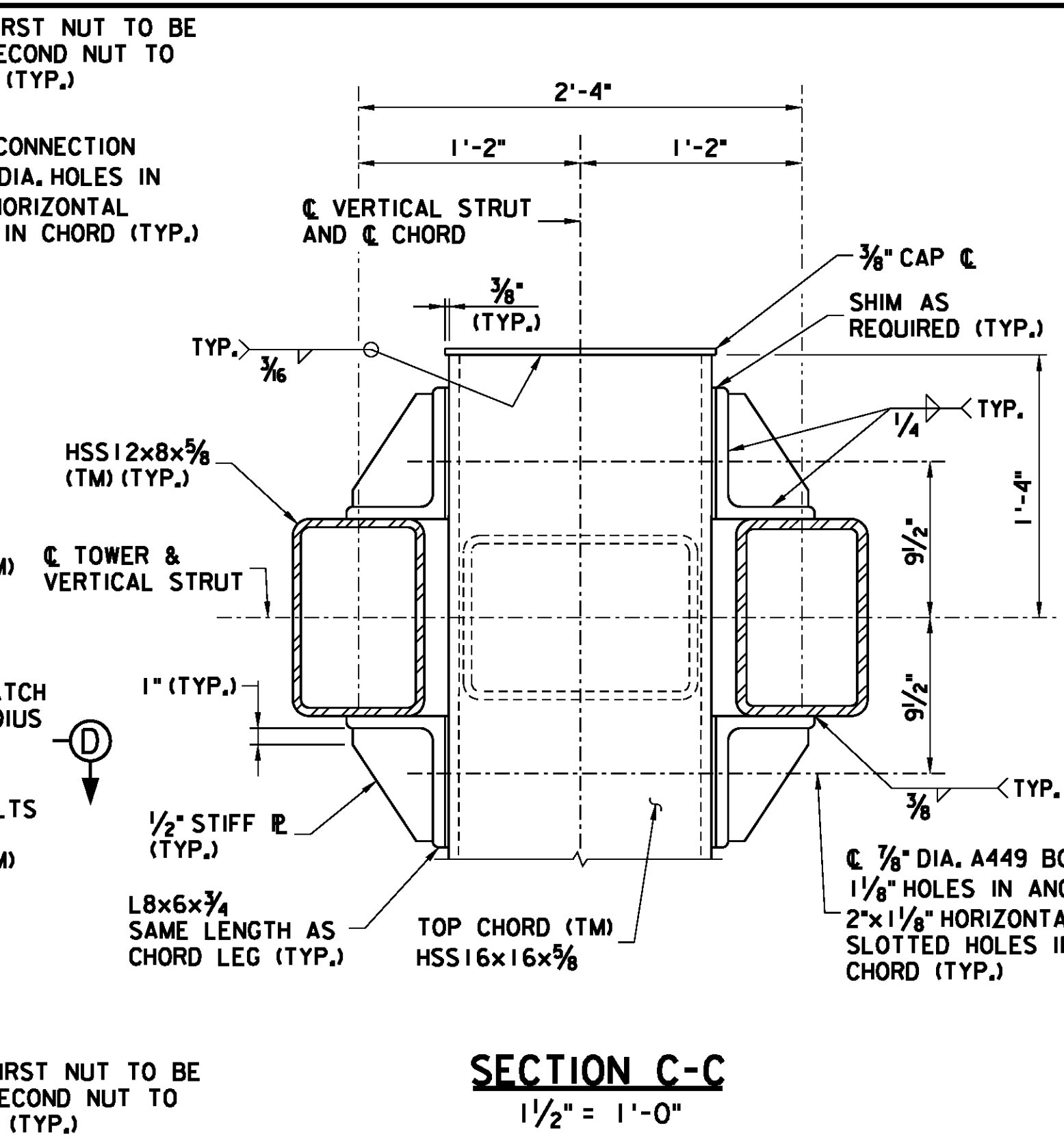


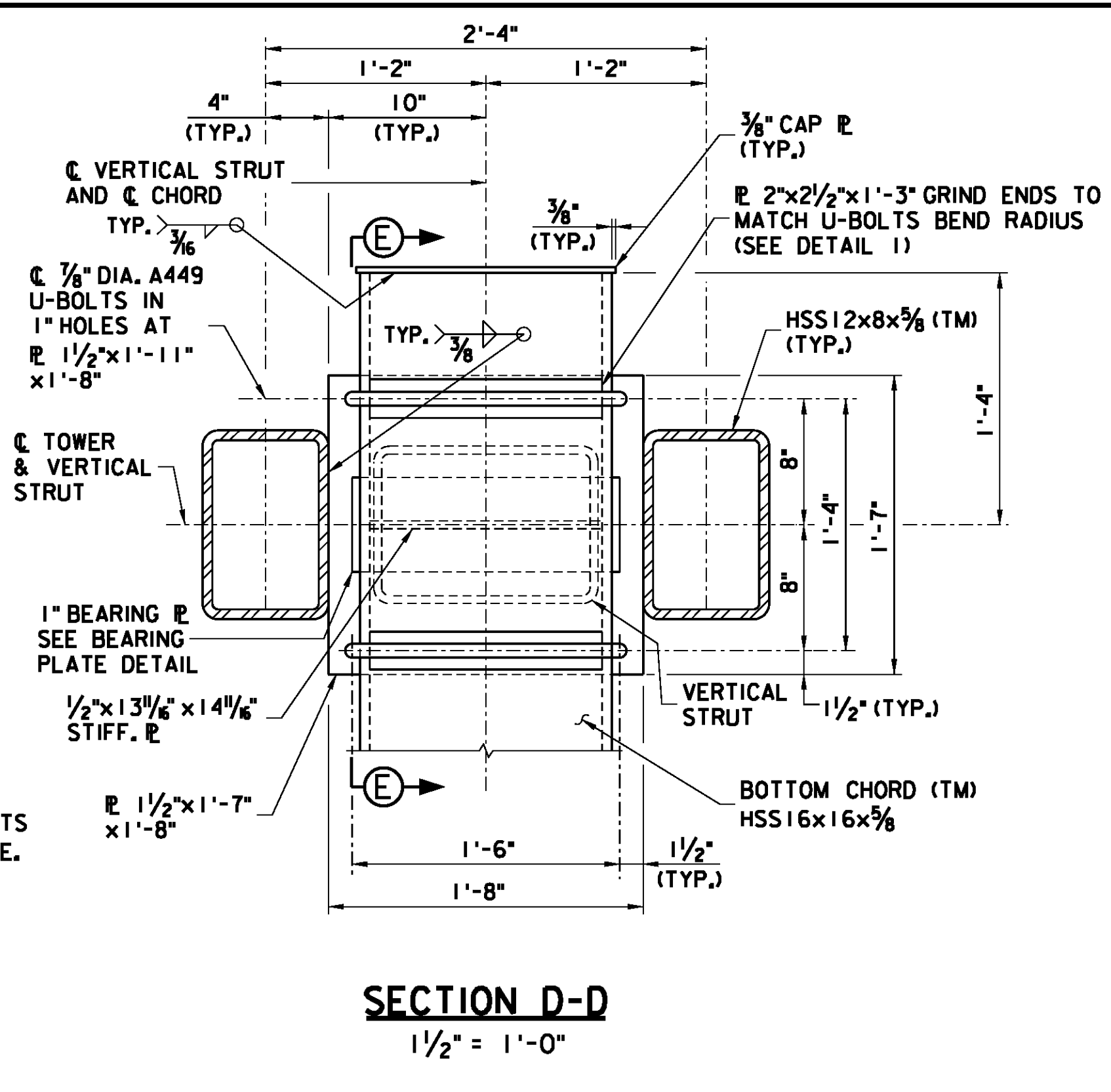
**SECTION A-A**  
1 1/2" = 1'-0"



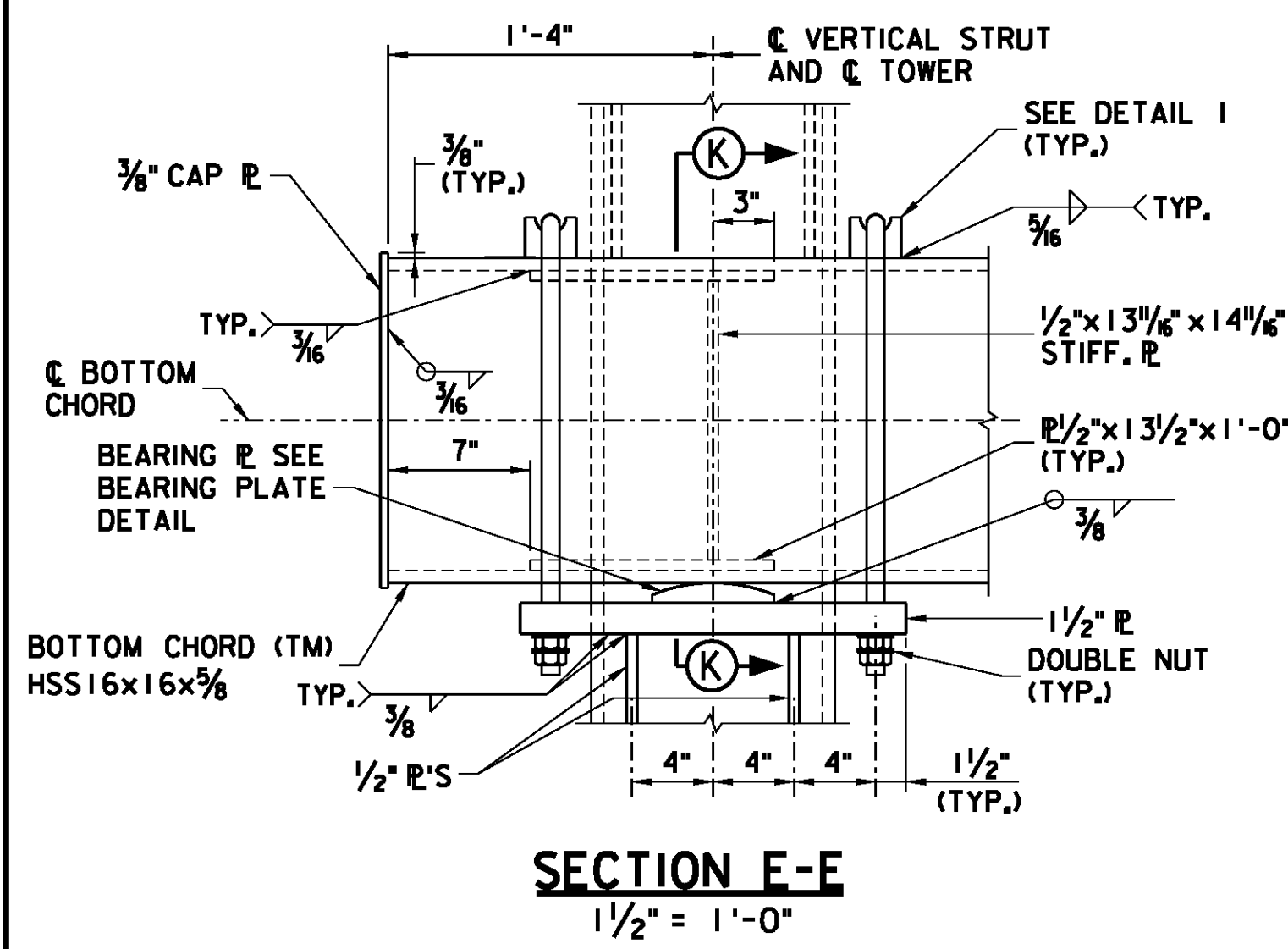
**SECTION B-B**  
1 1/2" = 1'-0"



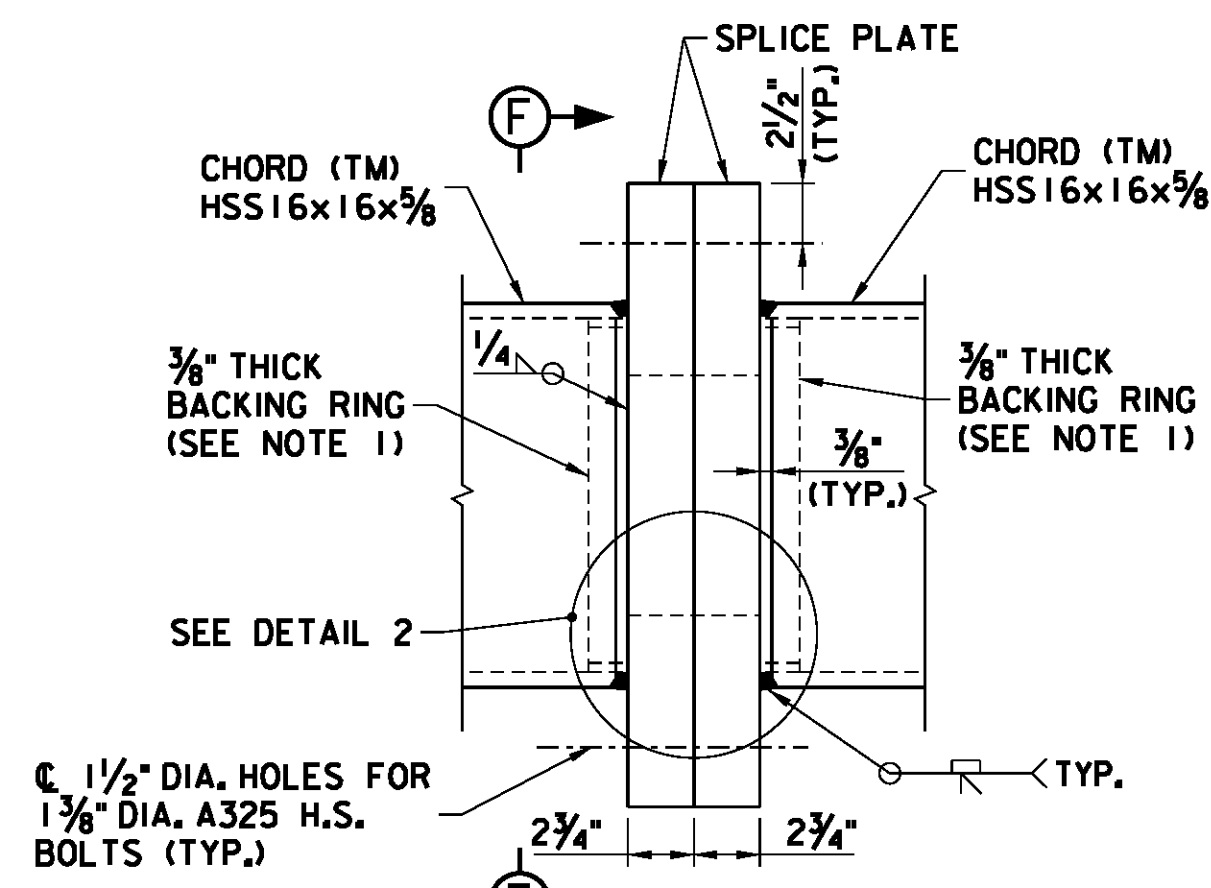
**SECTION C-C**  
1 1/2" = 1'-0"



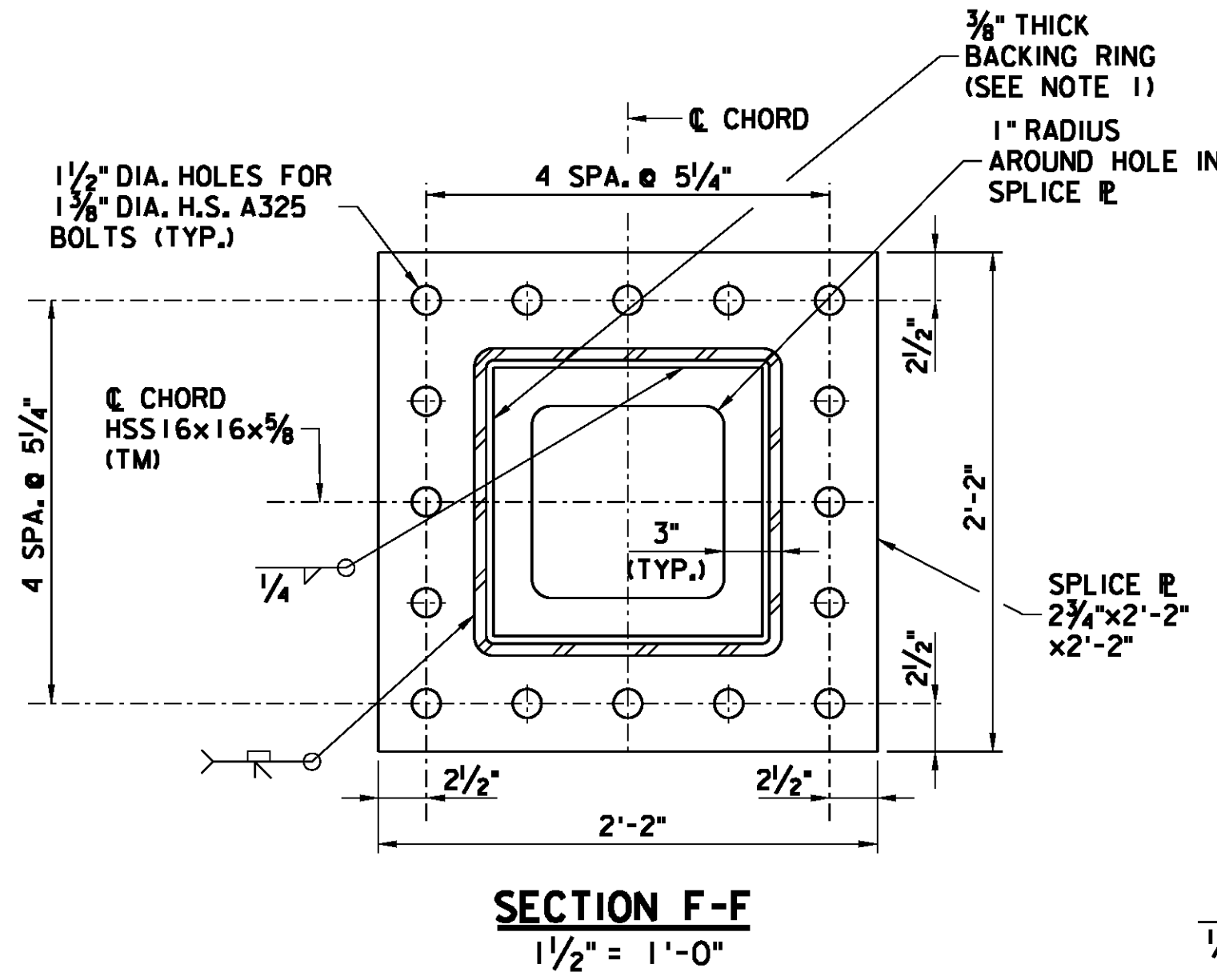
**SECTION D-D**  
1 1/2" = 1'-0"



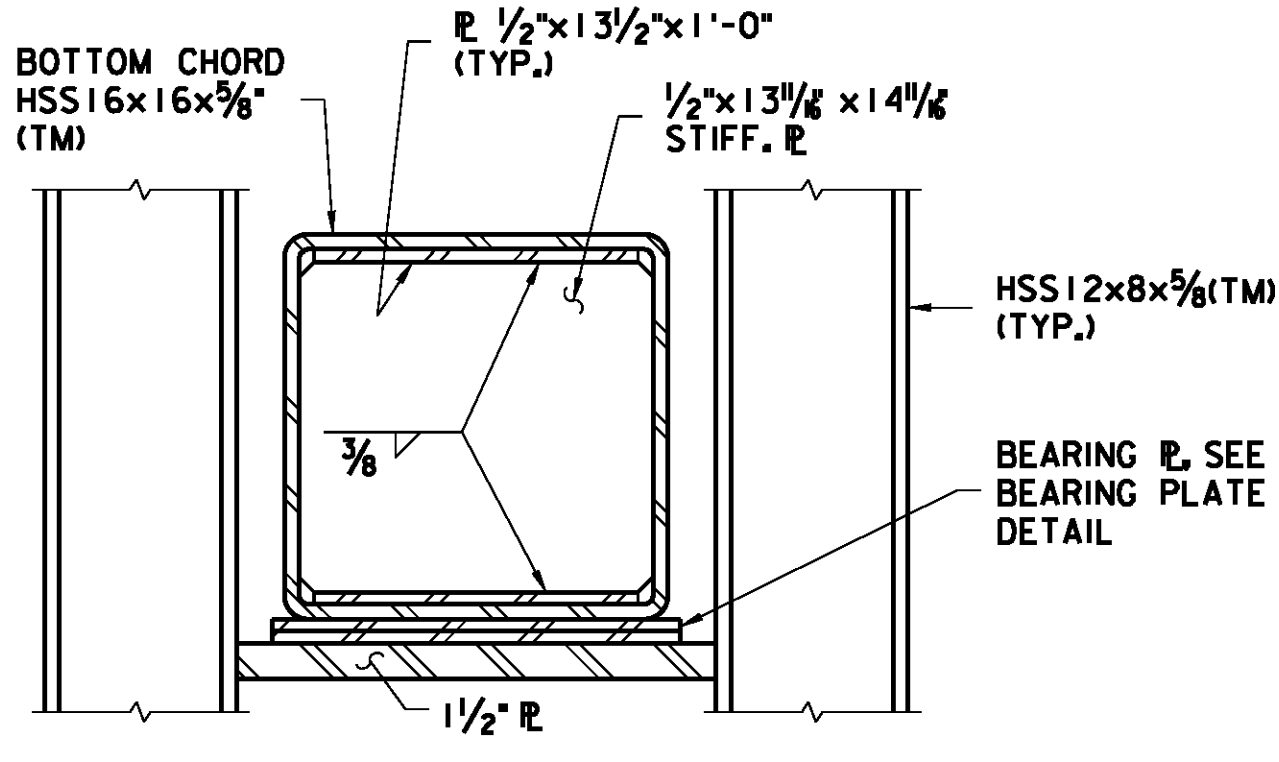
**SECTION E-E**  
1 1/2" = 1'-0"



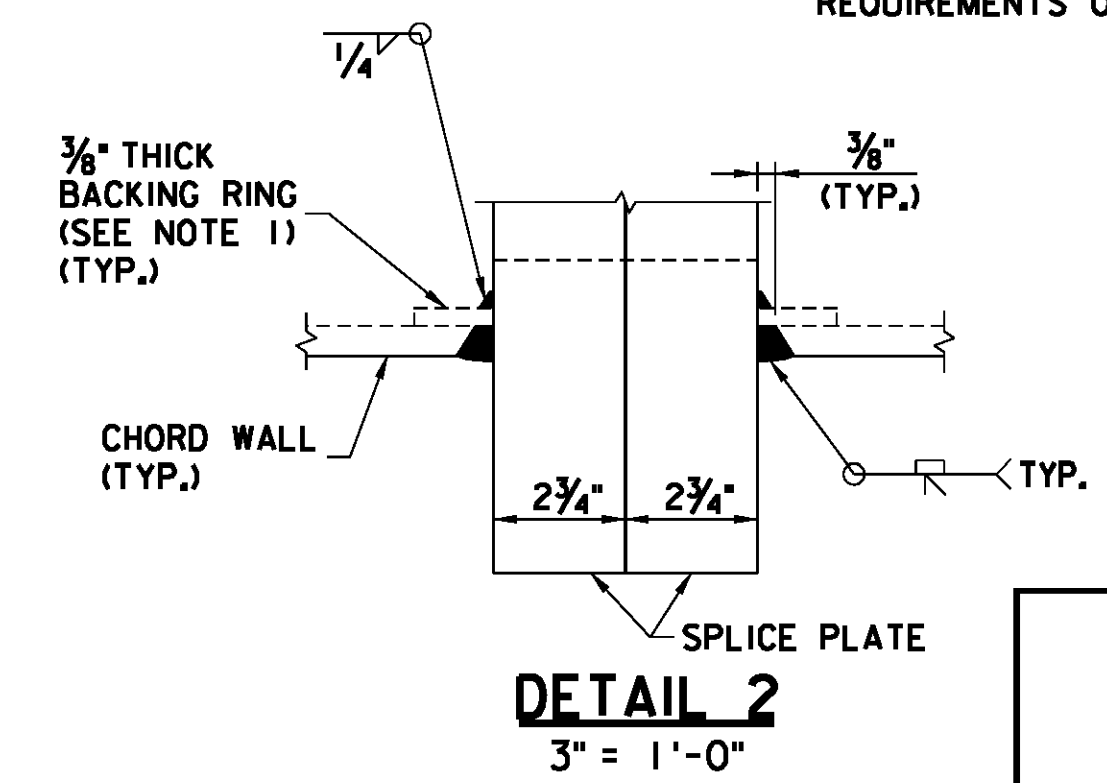
**SPLICE PLATE DETAIL**  
1 1/2" = 1'-0"



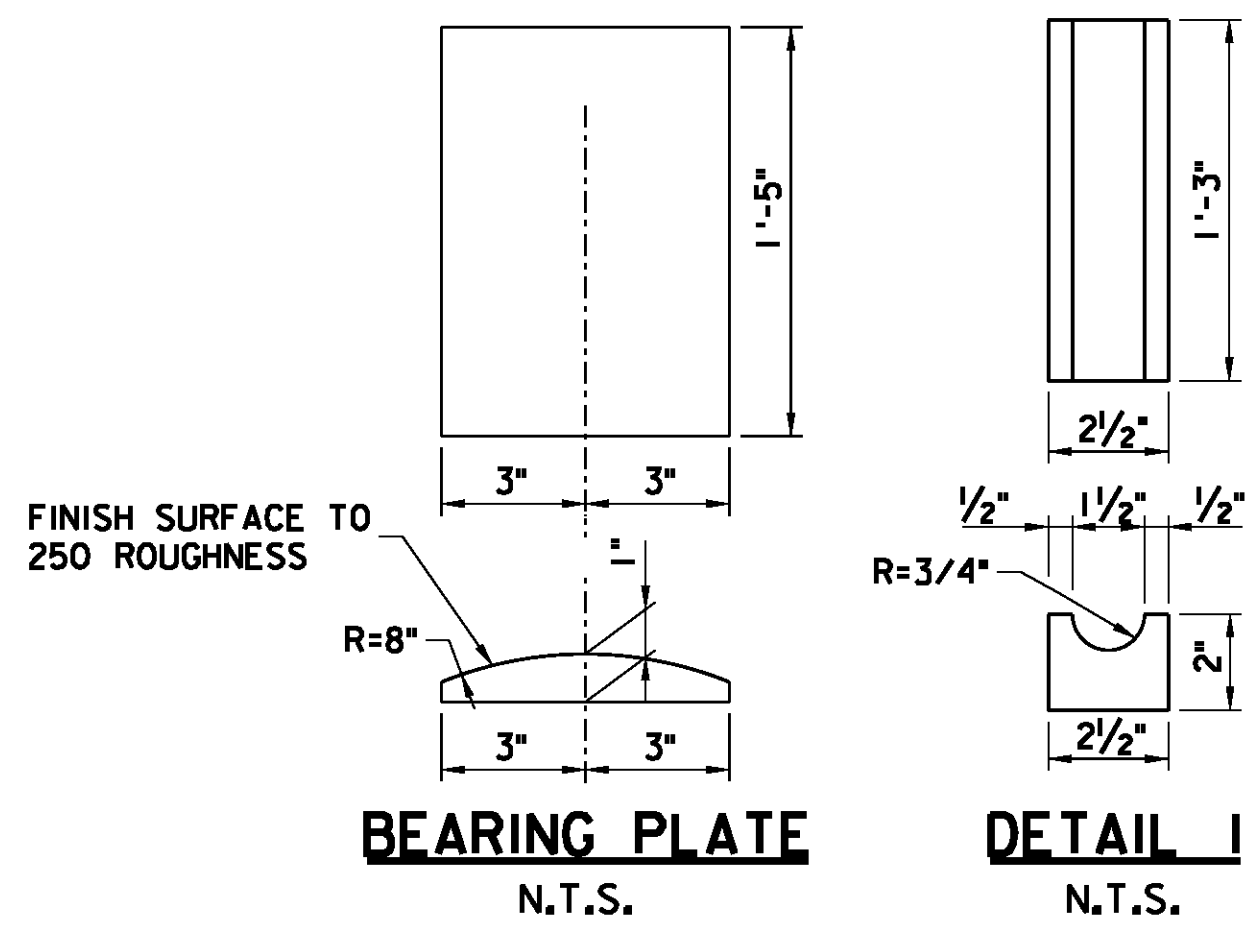
**SECTION F-F**  
1 1/2" = 1'-0"



**SECTION K-K**  
1 1/2" = 1'-0"



**DETAIL 2**  
3" = 1'-0"

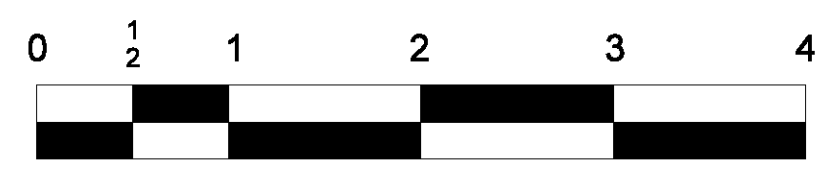


**BEARING PLATE**  
N.T.S.

**DETAIL 1**  
N.T.S.

**GENERAL NOTES FOR OVERHEAD SIGN STRUCTURES:**

1. FULL-PENETRATION WELDED CHORD TO FLANGE SPLICE PLATE CONNECTION WITH THE BACKING RING ATTACHED TO THE PLATE WITH A CONTINUOUS FILLET WELD AROUND THE INTERIOR FACE OF THE BACKING RING. THE BACKING RING SHALL BE 3/8"x2".
2. ALL MEMBERS MARKED (TM) ARE MAIN LOAD CARRYING MEMBERS SUBJECT TO TENSILE STRESS AND SHALL MEET SUPPLEMENTARY REQUIREMENTS FOR TOUGHNESS.
3. FOR SECTION J-J, SEE STANDARD DRAWING SI-30.
4. ALL MATERIALS AND FABRICATION SHALL CONFORM TO THE 2009 EDITION OF THE AASHTO "STANDARD SPECIFICATIONS FOR STRUCTURAL SUPPORTS FOR HIGHWAY SIGNS, LUMINAIRES AND TRAFFIC SIGNALS", 5TH EDITION WITH ALL CURRENT INTERIMS.
5. ALL SPLICE BOLTS SHALL BE ASTM A325, TYPE 3 WHICH IS TO HAVE THE SAME CORROSION RESISTANT AND WEATHERING CHARACTERISTICS AS THE CONNECTED MATERIAL OR SHALL BE HOT-DIP GALVANIZED. CONNECTION BOLTS AND U-BOLTS SHALL BE ASTM A449 AND SHALL BE HOT-DIP GALVANIZED. ALL NUTS AND WASHERS SHALL ALSO BE HOT-DIP GALVANIZED. HOT-DIP GALVANIZED SHALL BE AS PER ASTM A153, CLASS C.
6. STRUCTURAL STEEL PLATES AND SHAPES SHALL CONFORM TO THE REQUIREMENTS OF ASTM A709, GRADE 50W UNLESS OTHERWISE NOTED.



ORIGINAL SIZE IN INCHES

APP.	NO.	DATE	REVISION
	1	09/12	MOVED SECTION TO SHEET
	0	10/10	ORIGINAL DRAWING

CONTRACT NO.

NEW JERSEY TURNPIKE AUTHORITY  
**GARDEN STATE PARKWAY**  
 VIERENDEEL SPAN TYPE SIGN STRUCTURE  
 (SPANS FROM 60 TO 90 FEET)  
 SECTIONS AND DETAILS - 1

OFFICE OF THE CHIEF ENGINEER  
 NEW JERSEY TURNPIKE AUTHORITY

WOODBRIDGE NEW JERSEY

2010 STANDARD  
**DRAWING SI-29**

SHEET NO. OF

FILE NAME: SF1E1.S