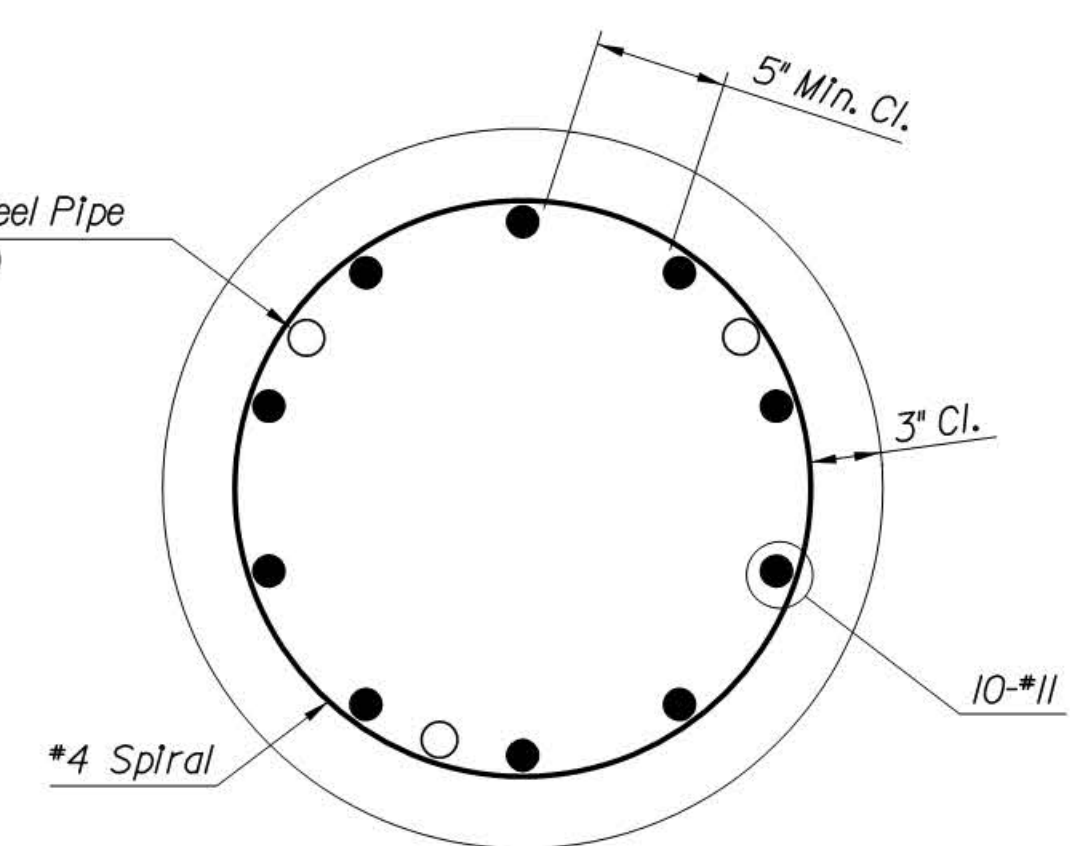


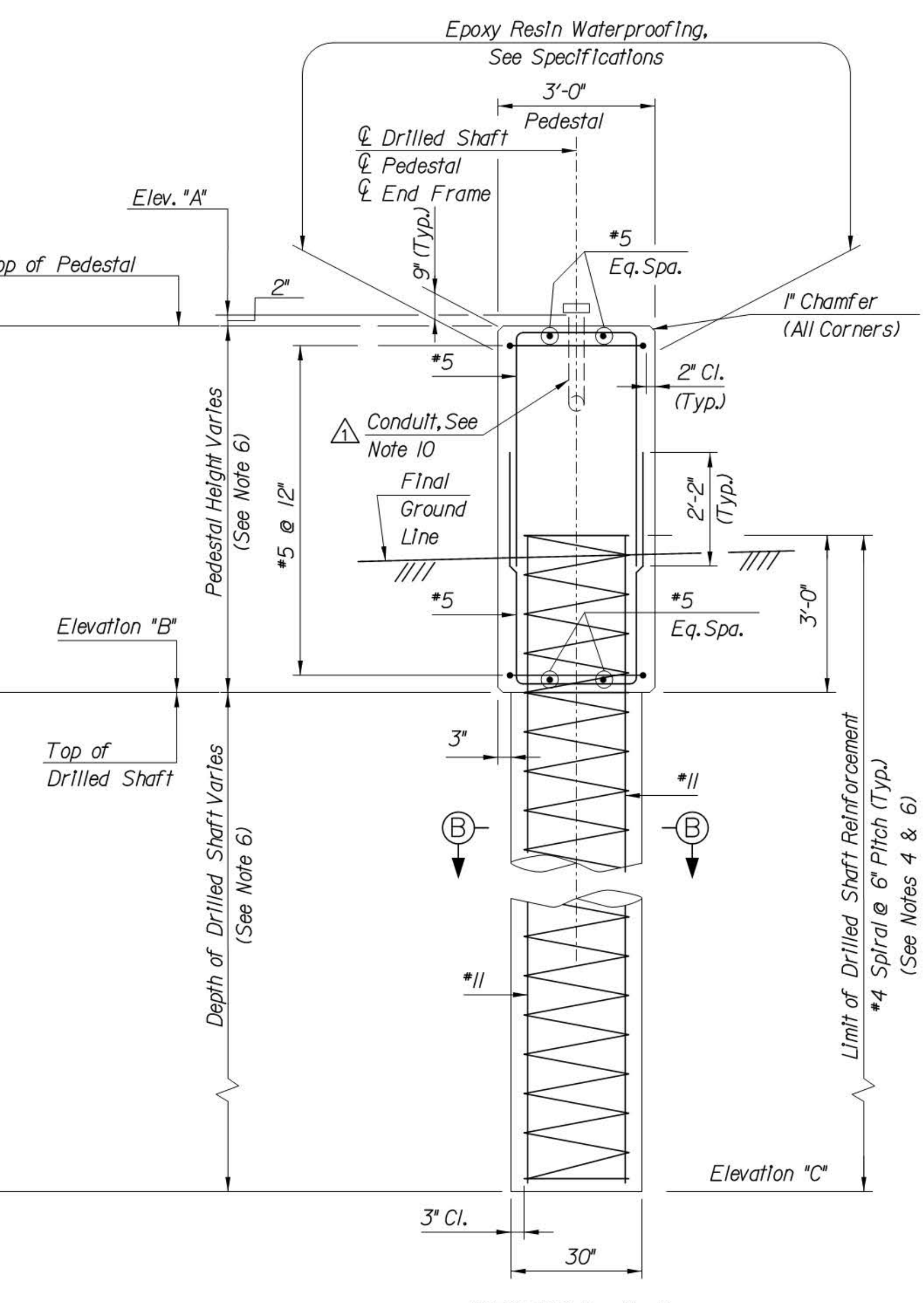
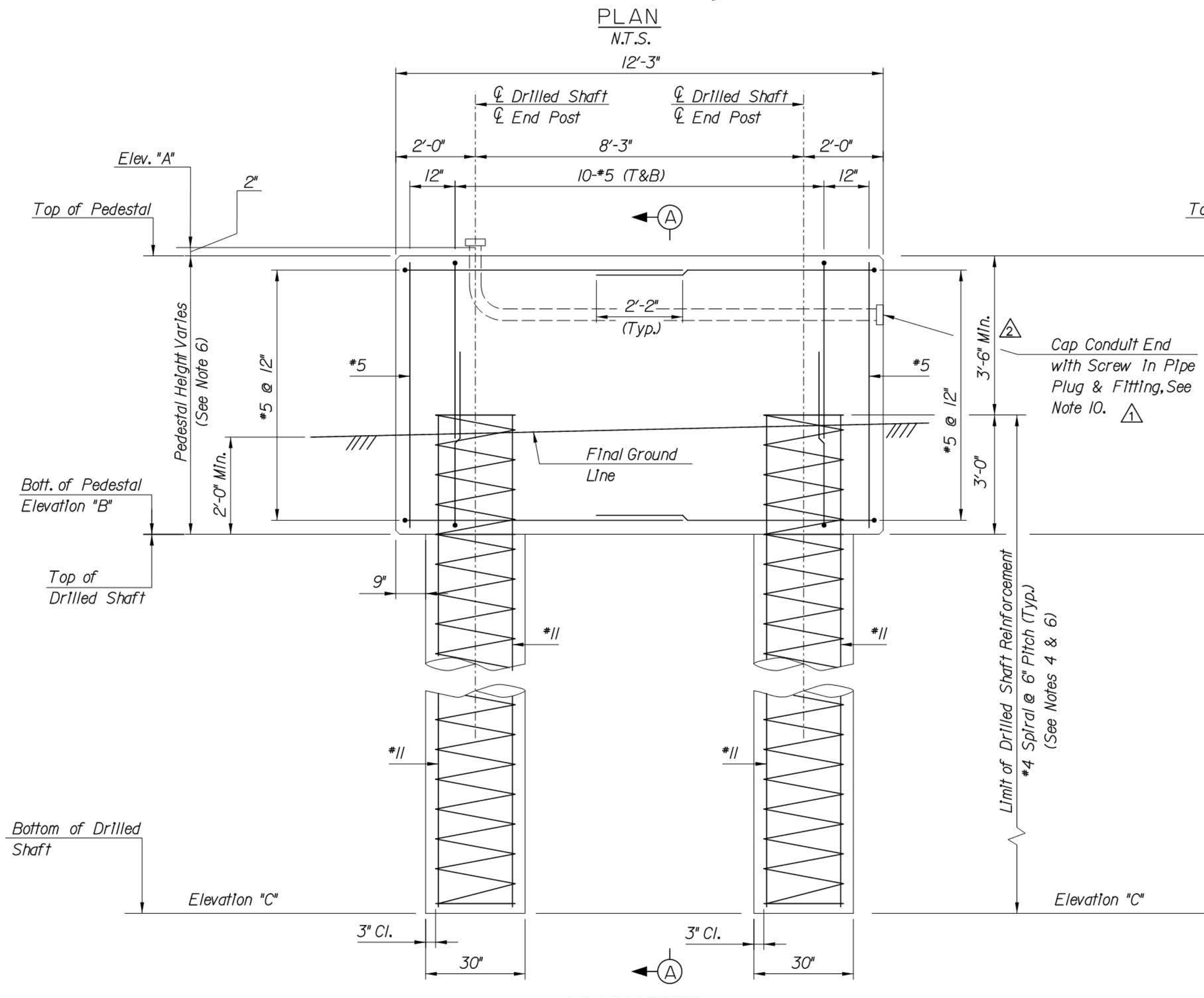
1/2"Ø (Nom.) Sch. 40 Steel Pipe
For CSL Testing (Typ.)
(See Note 2)



SECTION B-B
Scale: 1/2" = 1'-0"

SPAN TYPE SIGN STRUCTURE FOUNDATION ELEVATION TABLE						
STRUCTURE DESIGNATION	ELEVATION A		ELEVATION B		ELEVATION C	
	LEFT	RIGHT	LEFT	RIGHT	LEFT	RIGHT
MP						
MP						
MP						

NOTE TO DESIGNER:
This is a sample table. The Engineer of Record shall be responsible for furnishing this or similar table on the final Contract Drawings.



- NOTES:
- See Specifications for Sign Structure or VMS Support Structure Fabrication and Erection provisions.
 - 30"Ø Drilled Shafts for Sign Structures shall conform to the Drilled Shafts for Sign Structure Foundations Specification as per the Standard Supplementary Specifications.
 - The terms LEFT and RIGHT denote Left and Right Pedestals when looking in the direction of traffic under the structure.
 - Reinforcement Steel in Drilled Shafts, including extensions into pedestals, shall be paid for under the item "Drilled Shafts for Sign Structures".
 - Reinforcement steel in the pedestals shall be paid for under the item "Reinforcement Steel in Structures, Epoxy Coated".
 - For tabular elevations of pedestals, see contract plans.
 - Elevation "A" (Underside of Base Plate) to be 4'-0" above the high point of the roadway cross section at the centerline station of the structure. Elevation "A" shall be the same for both pedestals of the same structure.
 - Bar clearance in the pedestal shall be 2" min. and in the drilled shaft shall be 3" min.
 - Concrete in pedestals shall be Class B; Concrete in Drilled Shafts shall be as specified in the Contract Plan General Notes.
 - Where Lighting for a Sign Structure is indicated in the Contract Plans, conduits shall be in the Sign Structure Pedestal as shown on this Standard Drawing and on Standard Drawing SI-19 and E-22.

SPAN STRUCTURE DRILLED SHAFT FOUNDATION
N.T.S.

APP.	NO.	DATE	REVISION
	2	10/14	ADDED DIMENSION
	1	12/09	REVISED NOTES AND ADDED CONDUIT DETAILS
		4/09	ORIGINAL DRAWING

NEW JERSEY TURNPIKE AUTHORITY NEW JERSEY TURNPIKE	
SPAN TYPE SIGN STRUCTURE DRILLED SHAFT FOUNDATION DETAILS	
OFFICE OF THE CHIEF ENGINEER WOODBRIDGE, NEW JERSEY	2009 STANDARD DRAWING SI-22A