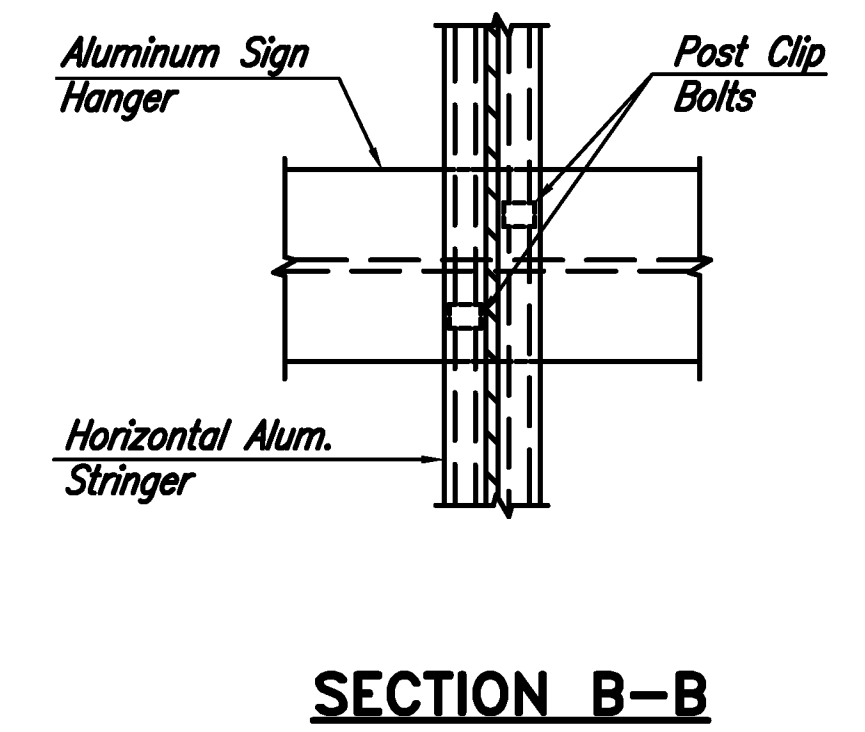
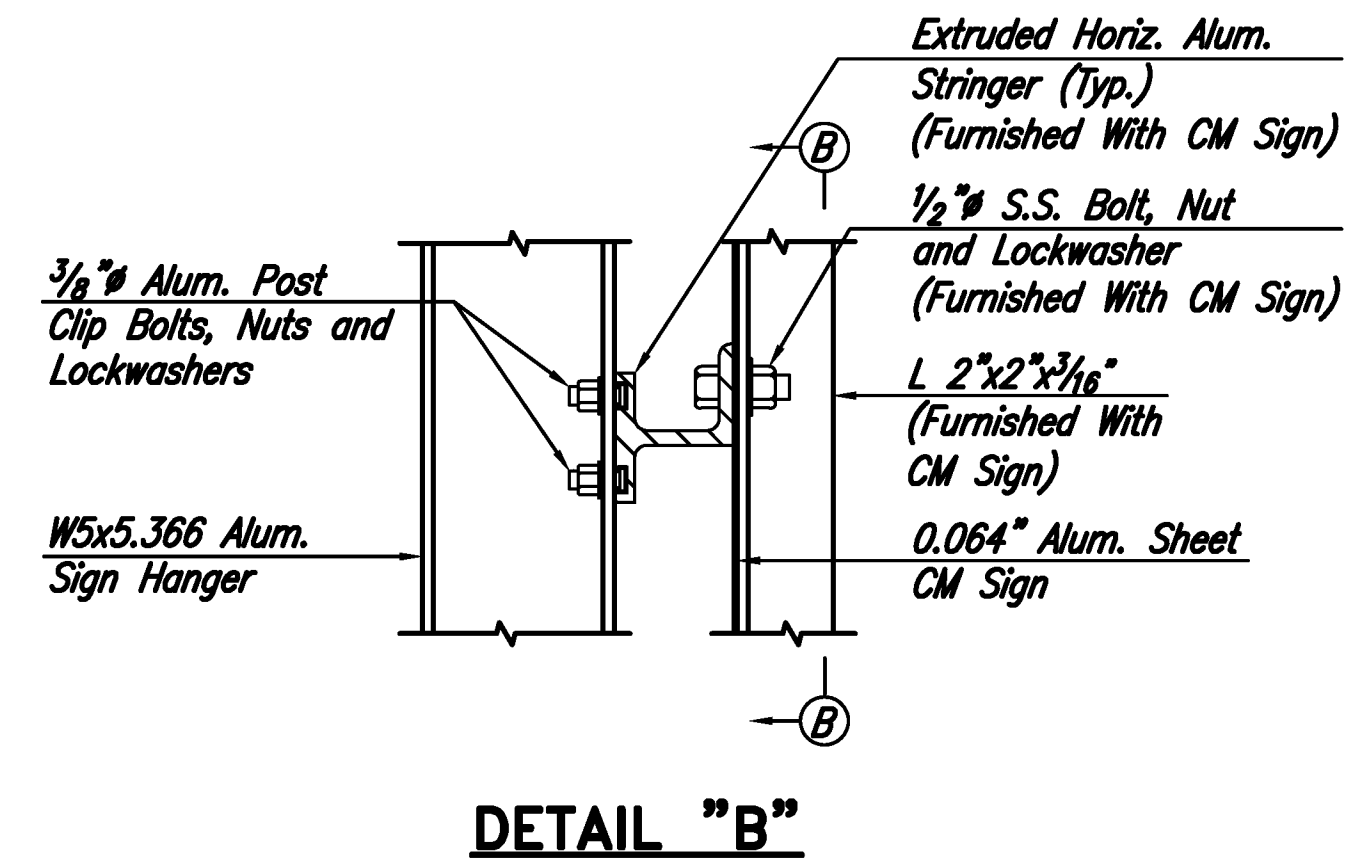
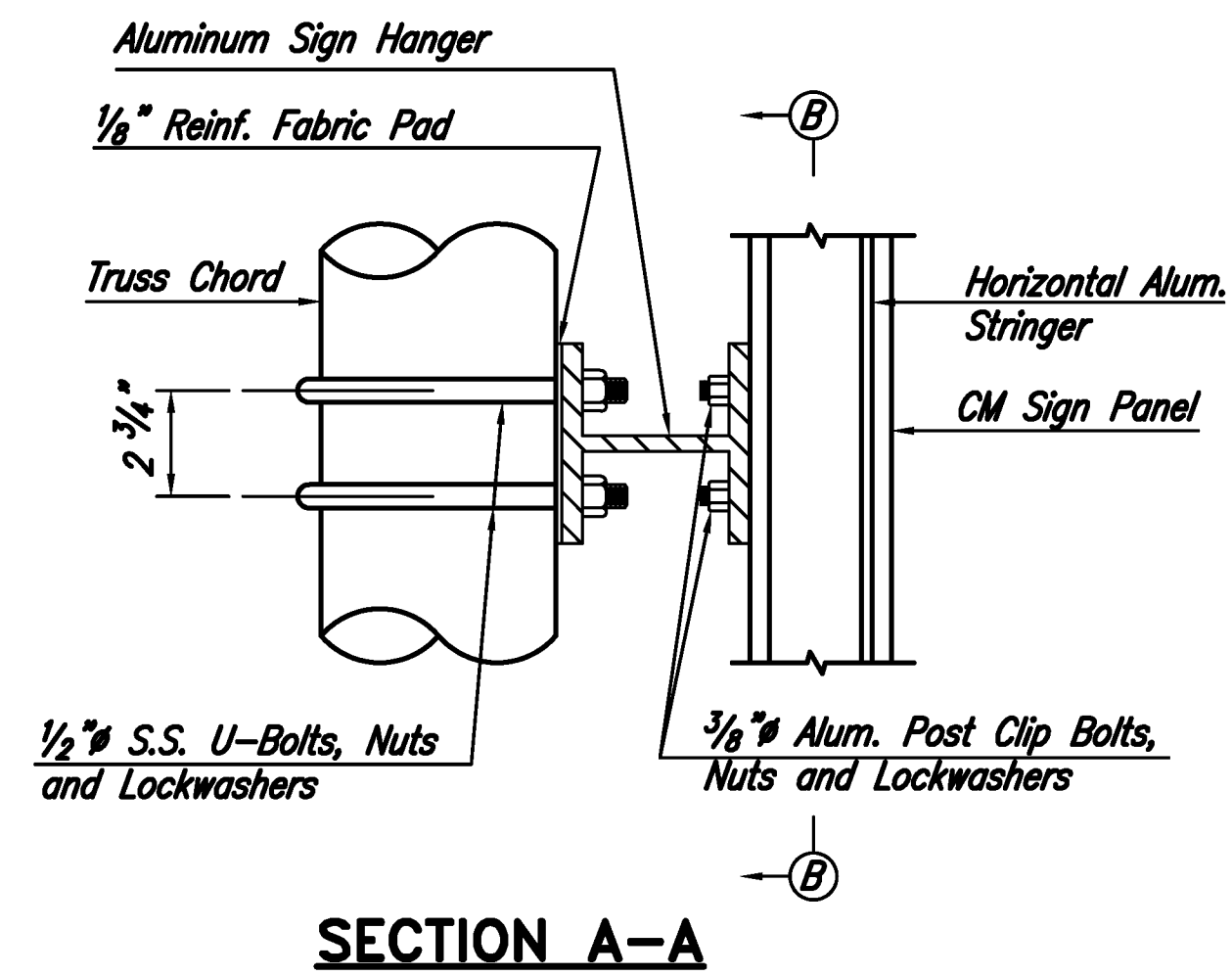


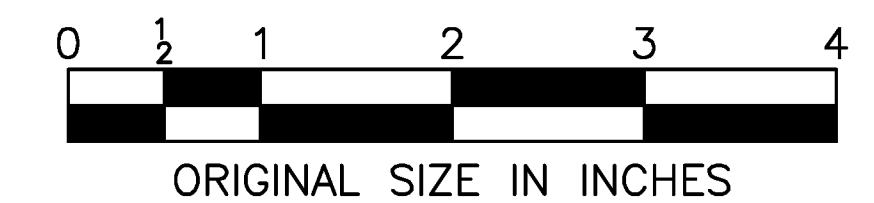
Aluminum Sign Hanger W5x5.366  
(See Notes)

**4 FACE DRUM  
CHANGEABLE MESSAGE SIGNS**



**NOTES:**

1. Sign support structures shall conform to Section 406.
  2. For grating and handrail details on existing signs, see individual contract plans showing construction of such signs.
  3. S.S. denotes stainless steel.
  4. Aluminum sign hangers shall be spaced 4'-6" max. \*\* o.c.. The maximum grating cantilever as measured to the centerline of hanger shall be 2'-0".
- \*\* For changeable message sign hanger spacing, see Standard Drawing SI-25.



NEW JERSEY TURNPIKE AUTHORITY  
NEW JERSEY TURNPIKE

CHANGEABLE MESSAGE SIGN  
STRUCTURE SECTIONS

APP. NO.	4/09	DATE	ORIGINAL DRAWING
			REVISION

OFFICE OF THE CHIEF ENGINEER  
WOODBRIDGE, NEW JERSEY

2009 STANDARD  
DRAWING SI-20

CONTRACT NO.

SHEET NO.

OF