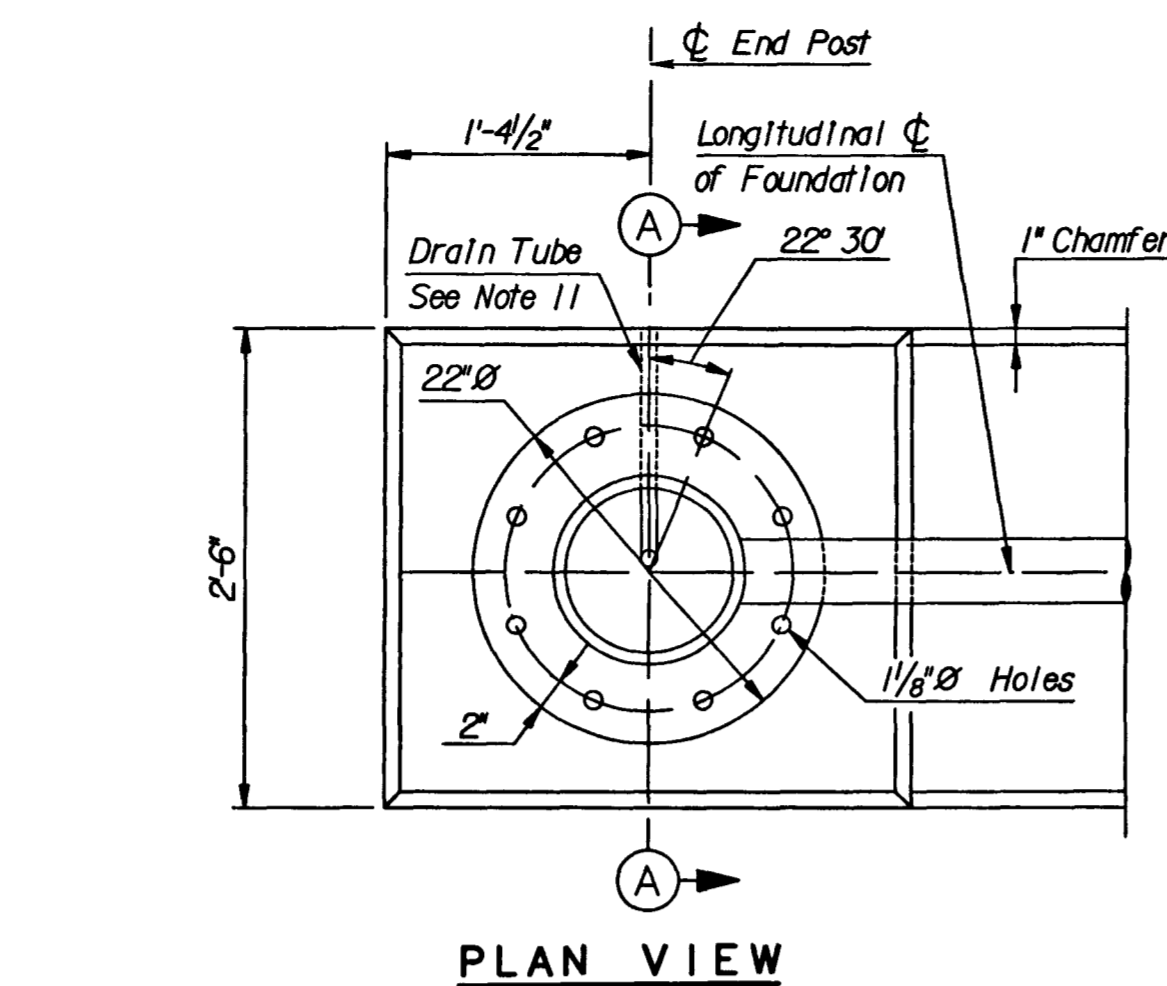
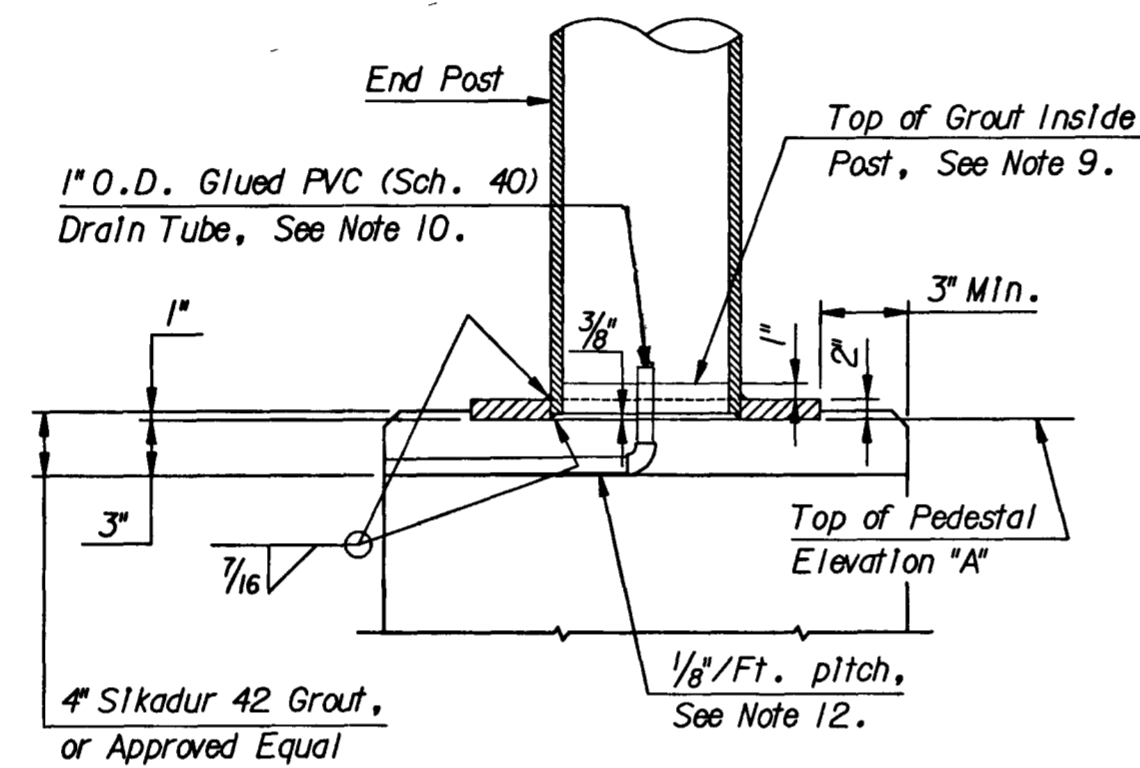


END FRAME DETAIL

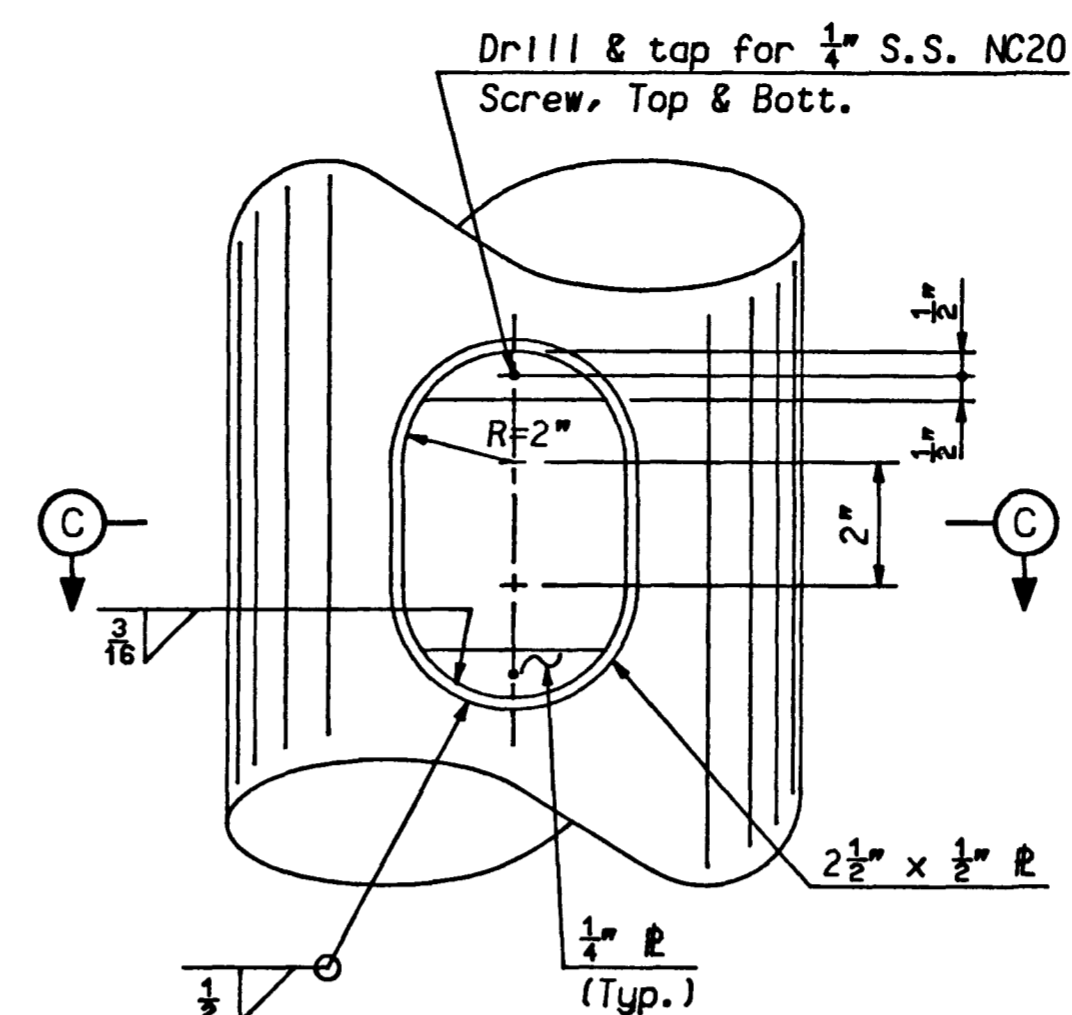


PLAN VIEW

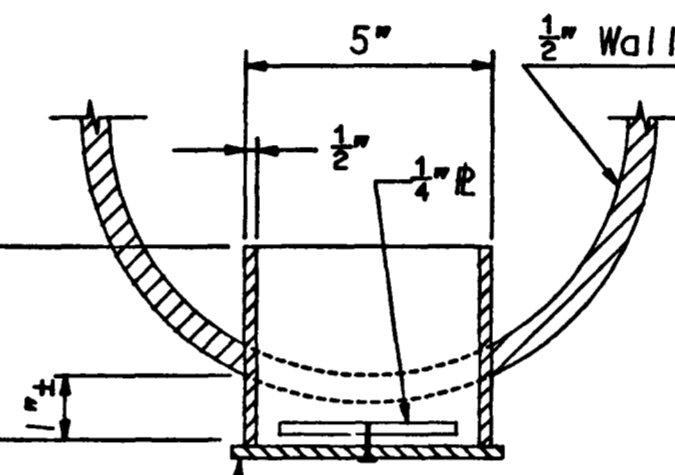


SECTION A-A

BASE PLATE DETAILS

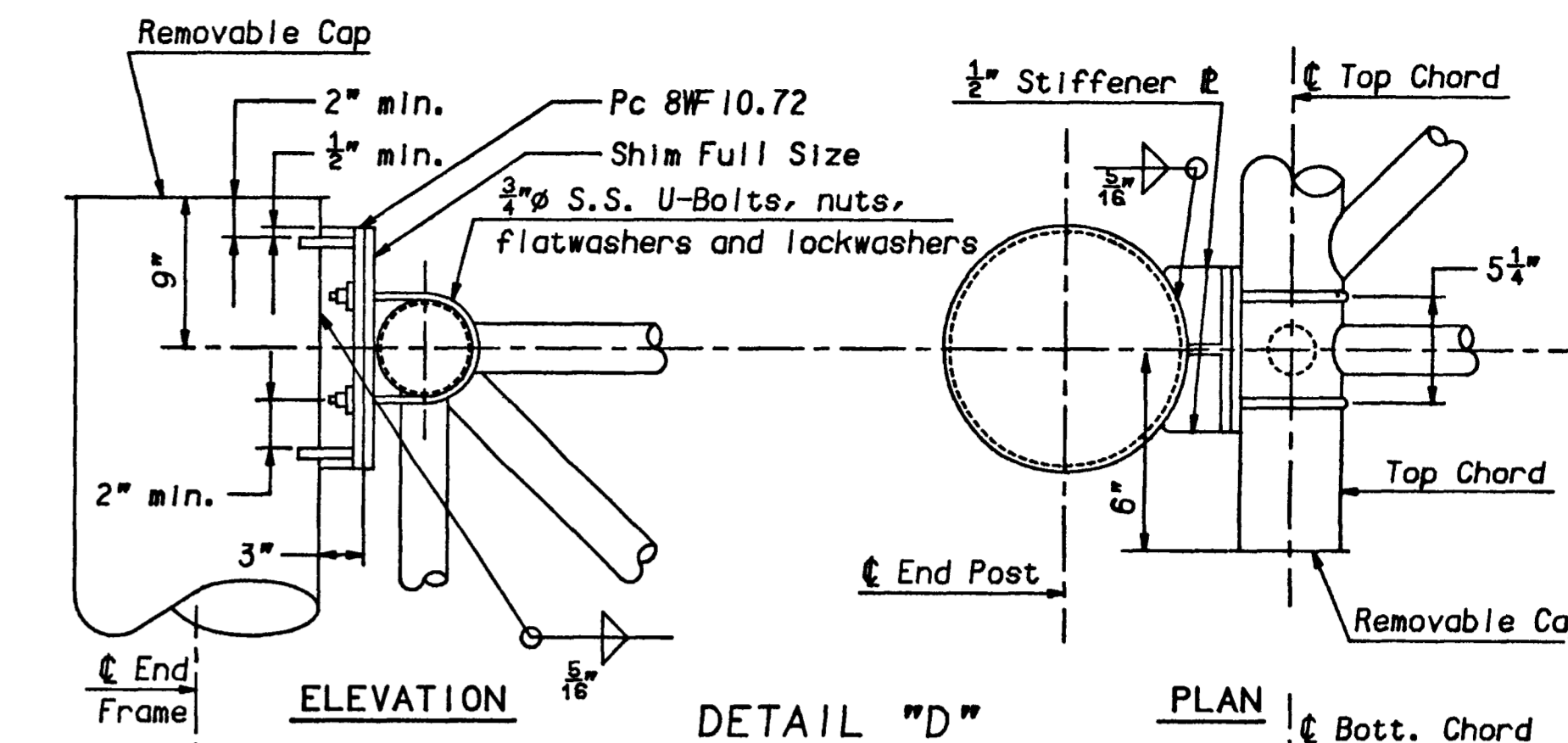


ELEVATION



SECTION C-C

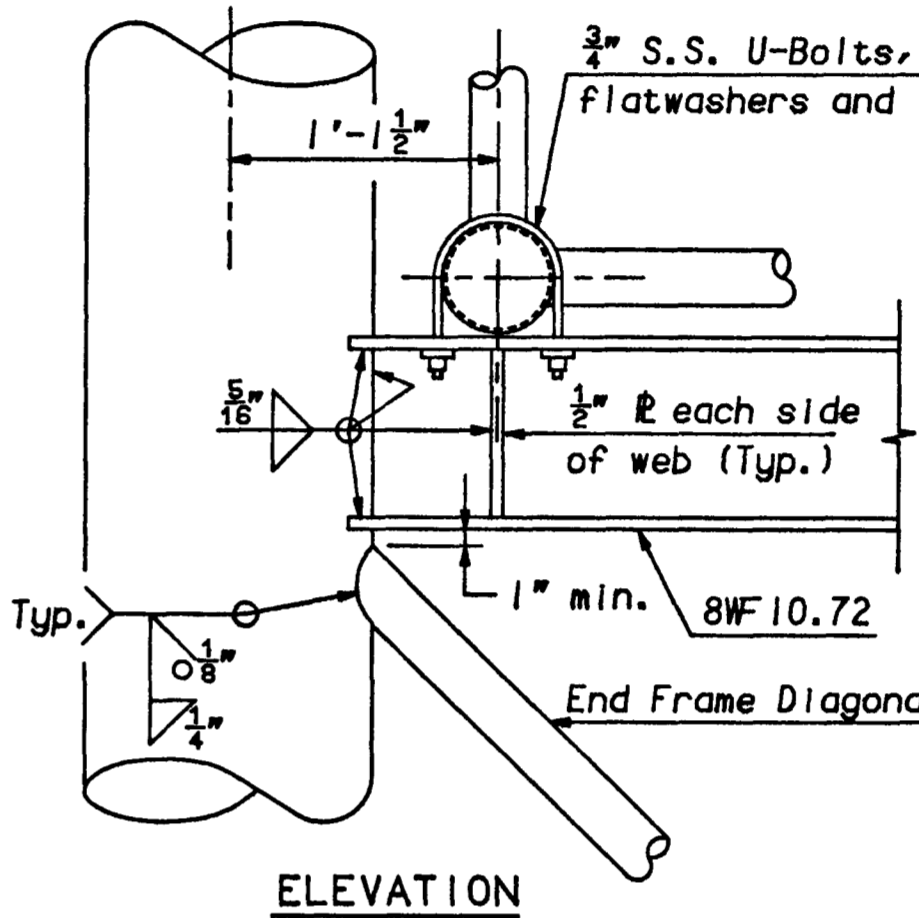
REINFORCED HANDHOLE



ELEVATION

DETAIL "D"

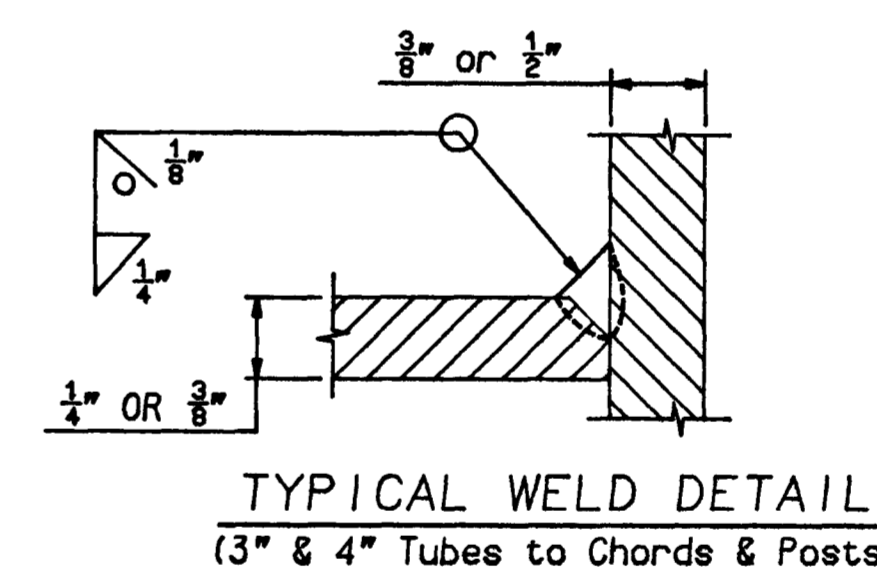
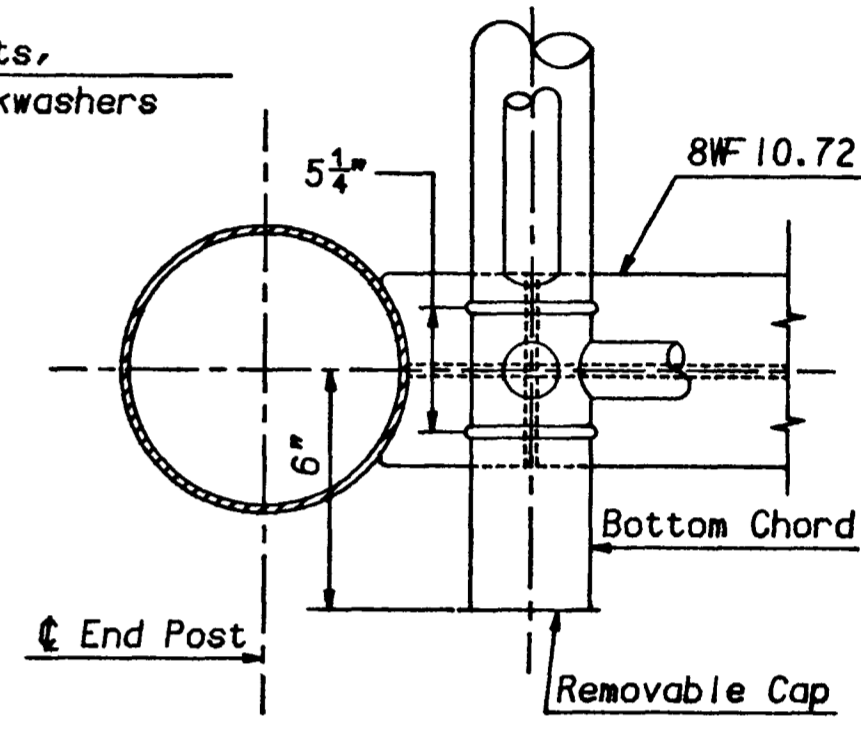
PLAN



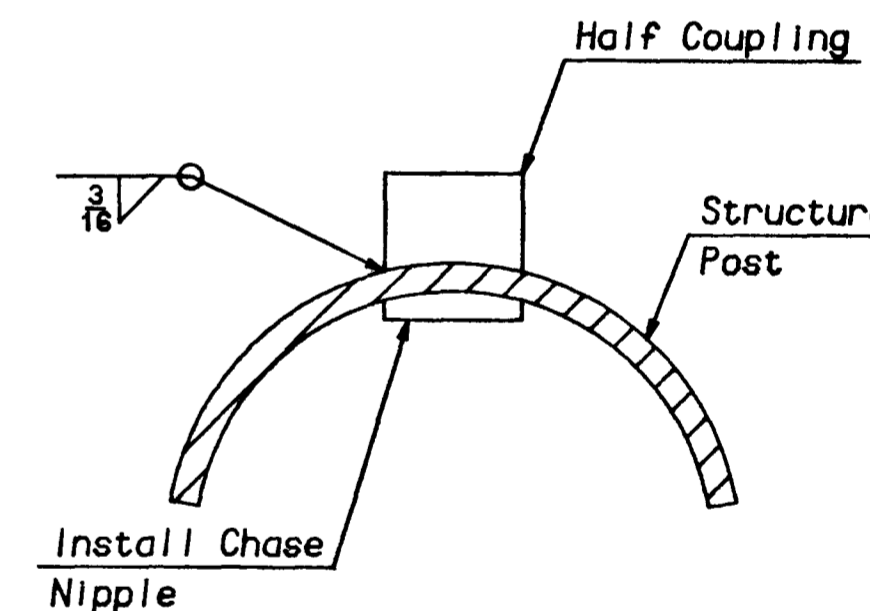
ELEVATION

DETAIL "E"

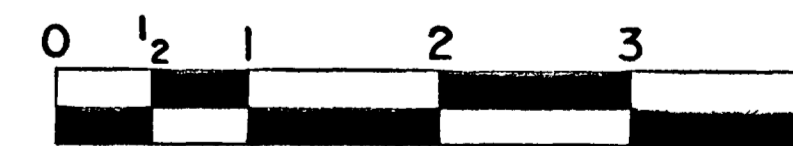
PLAN



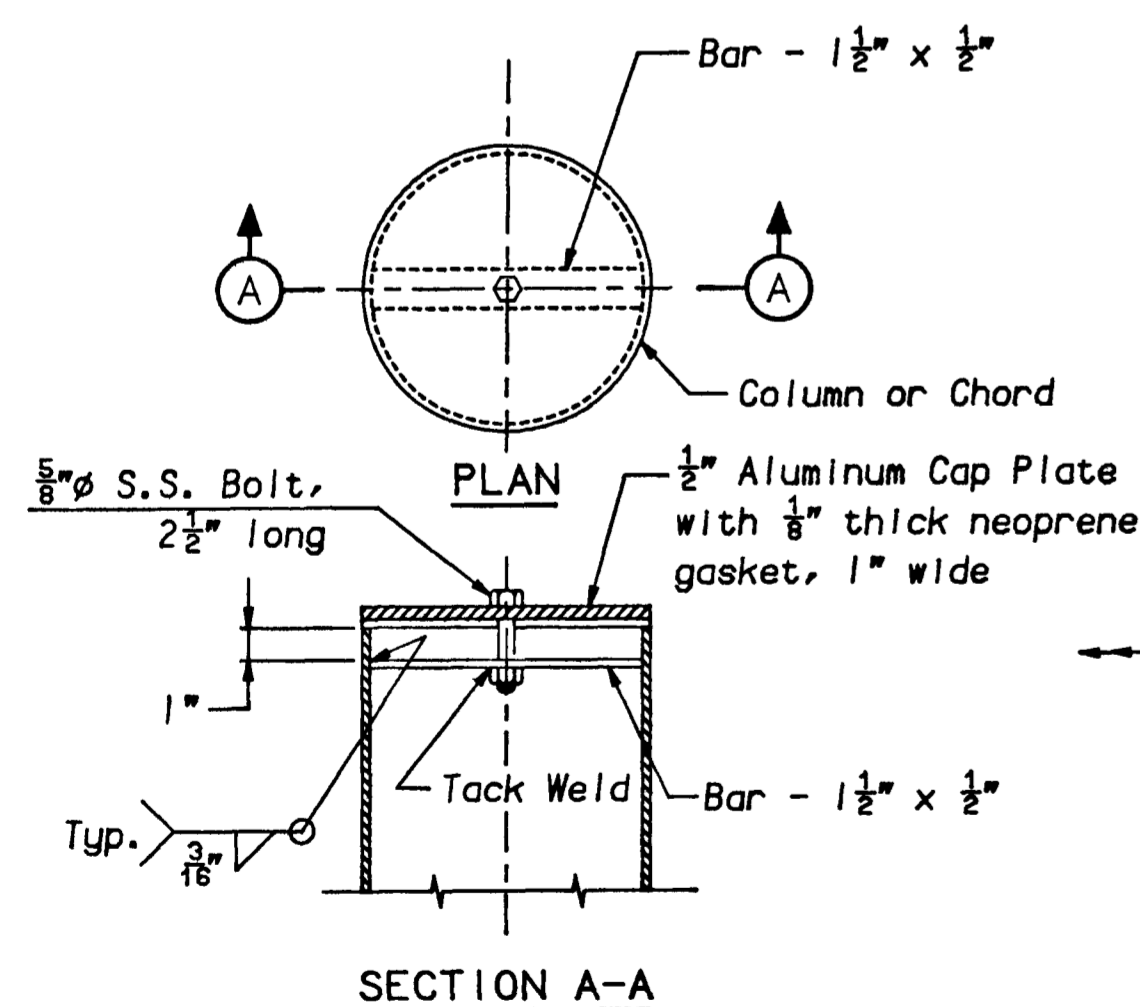
TYPICAL WELD DETAIL  
(3" & 4" Tubes to Chords & Posts)



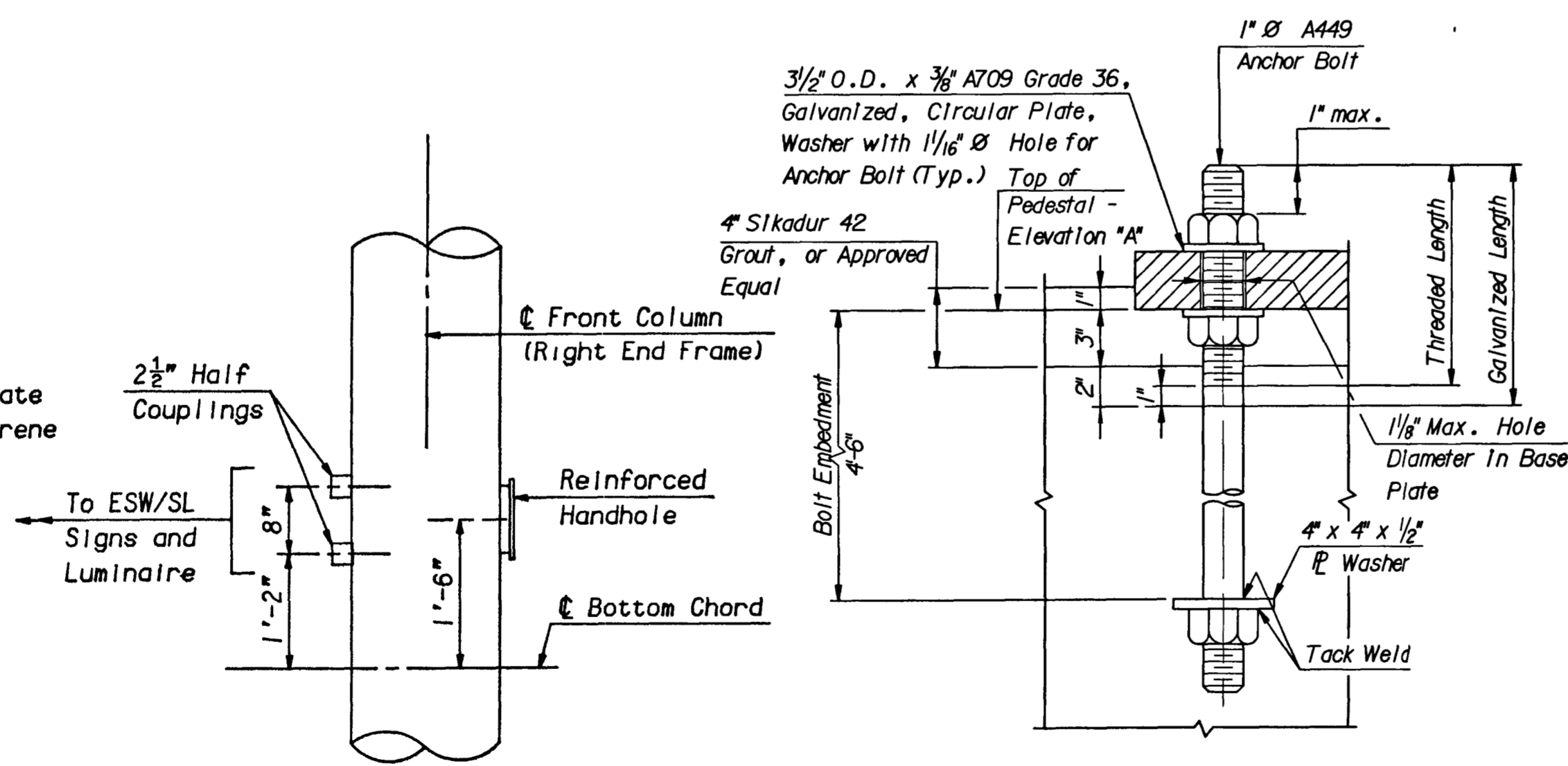
HALF COUPLING  
INSTALLATION DETAIL



ORIGINAL SIZE IN INCHES



REMOVABLE CAP DETAILS



ANCHOR BOLT DETAIL

ELECTRICAL PROVISIONS FOR  
ESW/SL SIGN SYSTEMS

NOTES:

- Elevation "A" shall be 4'-0" min. above the high point of the roadway cross section and shall be the same for both pedestals of each structure.
- All end posts shall be 14" O.D. x 1/2" wall except that 12" O.D. x 1/2" wall end posts shall be used for all 24'-9" high end frames for overhead sign structures spanning up to and including 100 feet.
- All material shall be Aluminum Alloy 6061-T6 unless noted otherwise.
- All material and fabrication shall conform to the current edition of A.A.S.H.T.O. "Standard Specifications for Structural Supports for Highway Signs, Luminaires and Traffic Signals".
- S.S. denotes Stainless Steel conforming to A.S.T.M. designation A276, Type 304. The 1/8" truss chord flange bolts and nuts shall be Condition B, with a minimum yield stress of 65,000 psi, other material shall be Condition A.
- For Location of Details "D" and "E", see Standard Drawing SI-14.
- For Location of additional half couplings on truss, see Standard Drawing E-21.
- Arrangement shown is for sign lighting provisions with directional type sign panels. See Detail on this drawing for ESW/SL sign systems.
- After initial set of grout, the Contractor shall install additional grout to this elevation.
- After grout has set, break off & remove section of drain tube extending above grout.
- The drain tube shall be located on the side of the pedestal facing away from traffic, if possible.
- During grout pour, the horizontal leg of the drain tube shall be secured to the top of the pedestal with a conduit pipe strap.

APP	NO	DATE	REVISION
	1	3/01	MODIFIED GROUT PAD
		12/96	ORIGINAL DRAWING

NEW JERSEY TURNPIKE AUTHORITY NEW JERSEY TURNPIKE	
SPAN TYPE SIGN STRUCTURE (ALUMINUM) END FRAME DETAILS	
OFFICE OF THE CHIEF ENGINEER NEW BRUNSWICK NEW JERSEY	1996 STANDARD DRAWING SI-15