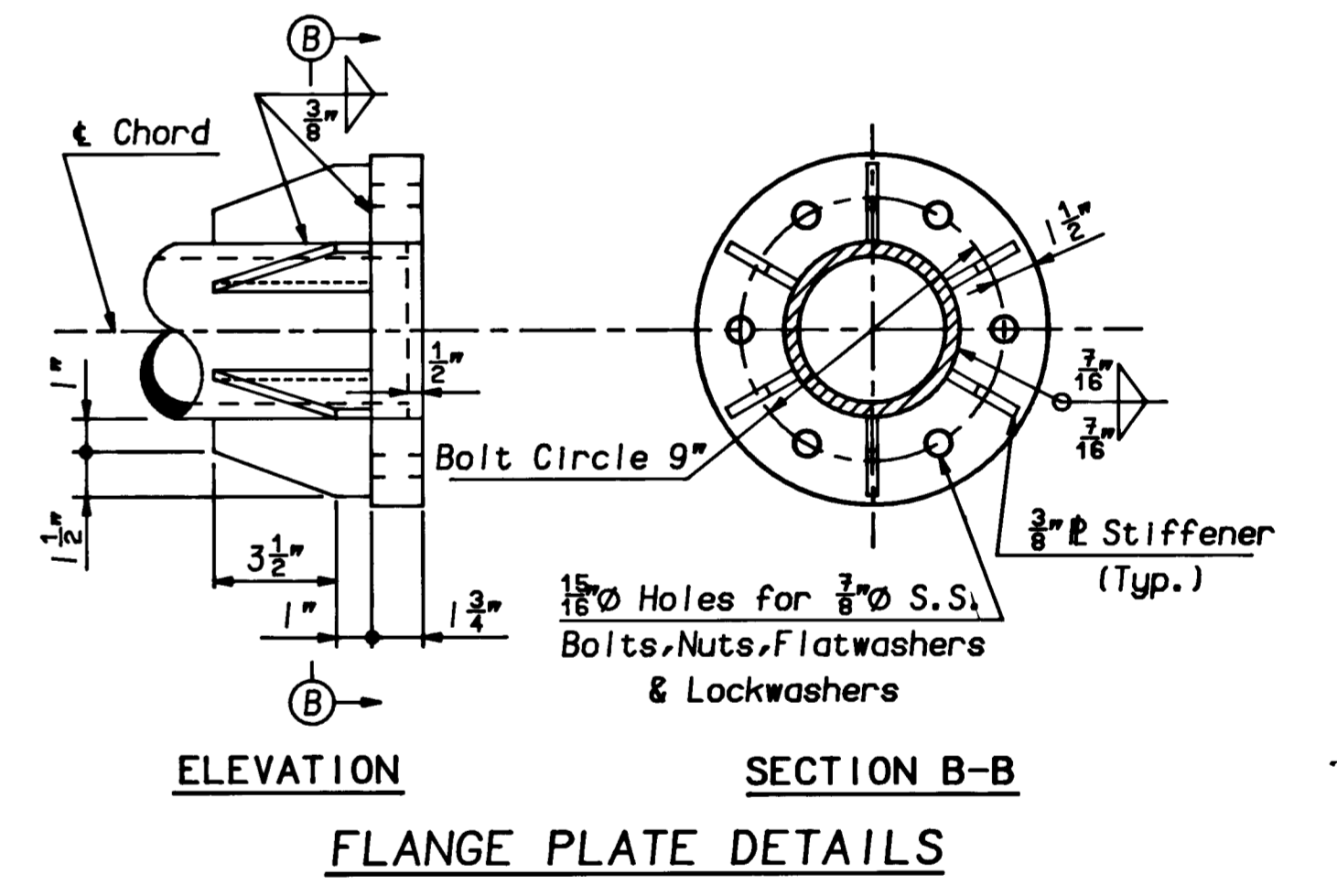
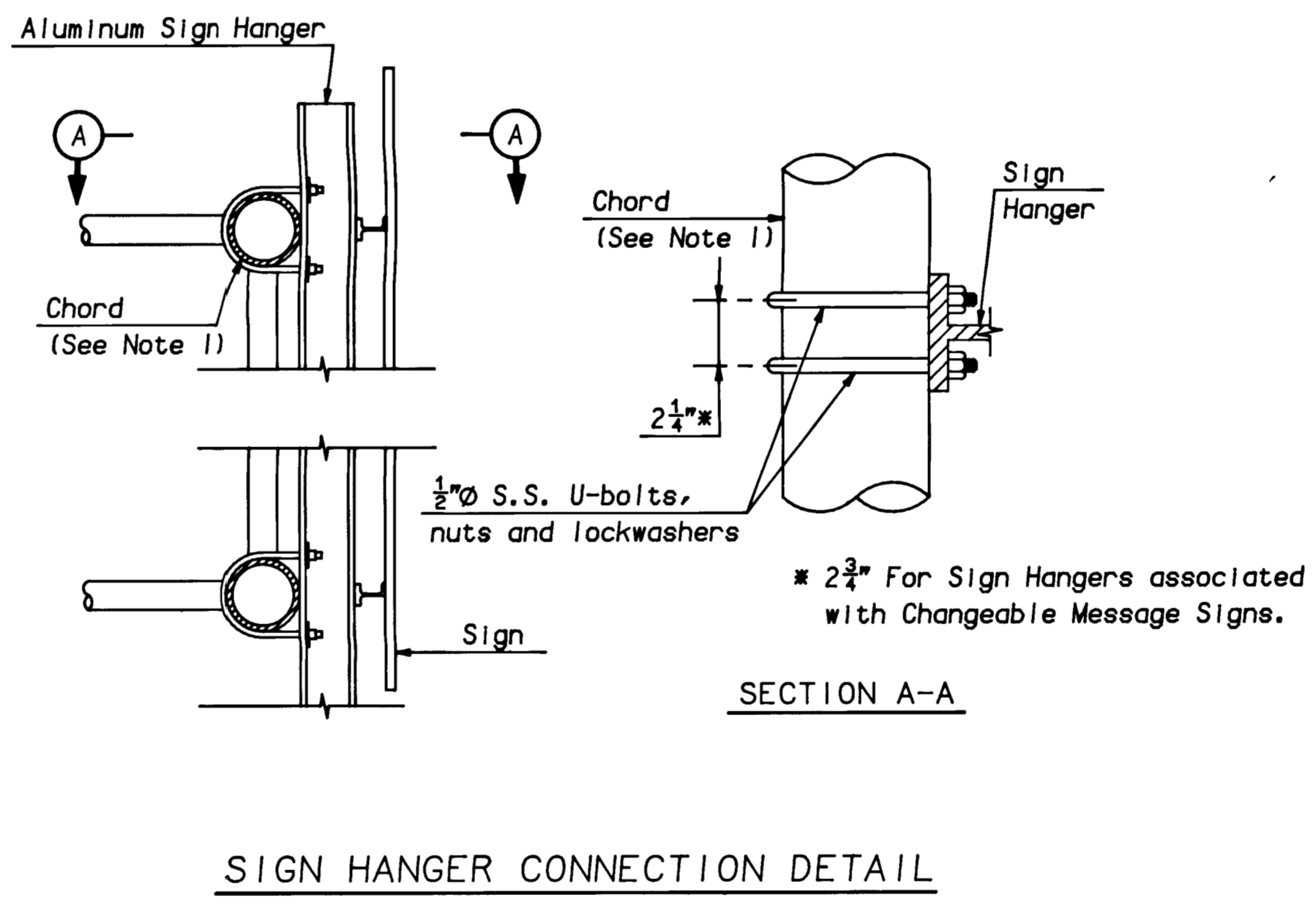
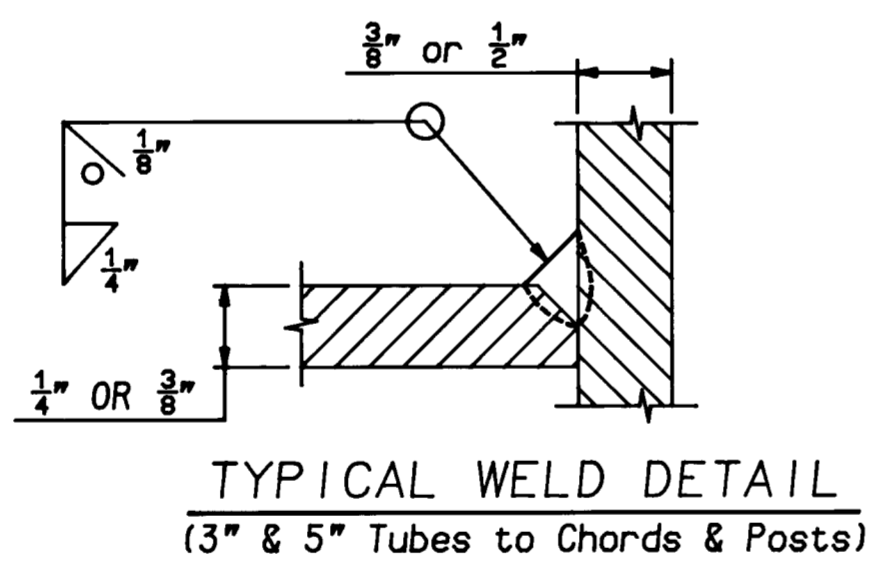


SPAN LENGTH	END SECTION L	CENTER SECTIONS	END SECTION R	CAMBER (IN)
45'	1	-	1	5/8
50'	1	-	2	3/4
55'	2	-	2	7/8
60'	2	-	3	1
65'	3	-	3	1 1/4
70'	1	4	1	1 3/8
75'	1	5	1	1 3/4
80'	2	4	2	2 1/8
85'	2	5	2	2 1/2
90'	3	4	3	2 7/8
95'	3	5	3	3 1/4
100'	3	6	3	3 3/4
105'	2	4	4	3 3/8
110'	2	4	5	3 3/4
115'	2	5	5	4 1/4
120'	2	5	5	4 3/4
125'	3	5	5	5 3/8
130'	2	6	6	6
135'	3	6	6	6 3/4

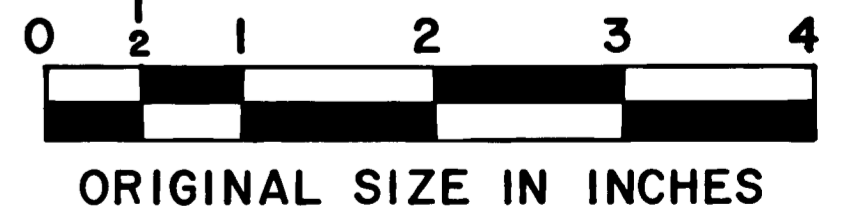
See Schematic Truss Detail for Section Lengths.

NOTE:
These Standard Overhead Sign Structures shall not be used, with fixed Signs, for Span exceeding 135' or for Sign areas exceeding 800 Sq. Ft. When used with Changeable Message Signs these limits shall be 135' and 600 Sq. Ft.



NOTES:

- Truss chords shall be 6" O.D. x 5/16" wall for all spans up to and including 100 feet. 6" O.D. x 1/2" wall chords shall be used for spans ranging from 105 feet up to and including 135 feet.
- All material and fabrication shall conform to the current edition of the A.A.S.H.T.O. "Standard Specifications for Structural Supports for Highway Signs, Luminaires and Traffic Signals."
- All material shall be Aluminum Alloy 6061-T6 unless noted otherwise.
- For End Frame Details, Removable Cap Details, Detail "D" and Detail "E", see Standard Drawing SI-15.
- S.S. denotes Stainless Steel conforming to A.S.T.M. designation A276, Type 304. The 3/8" truss chord flange bolts and nuts shall be Condition B, with a minimum yield stress of 65,000 psi, other material shall be Condition A.



NEW JERSEY TURNPIKE AUTHORITY
NEW JERSEY TURNPIKE
SPAN TYPE SIGN STRUCTURE
(ALUMINUM)
TRUSS DETAILS

OFFICE OF THE CHIEF ENGINEER
NEW BRUNSWICK NEW JERSEY

1996 STANDARD DRAWING SI-14

APP	NO	DATE	REVISION
		12/96	ORIGINAL DRAWING