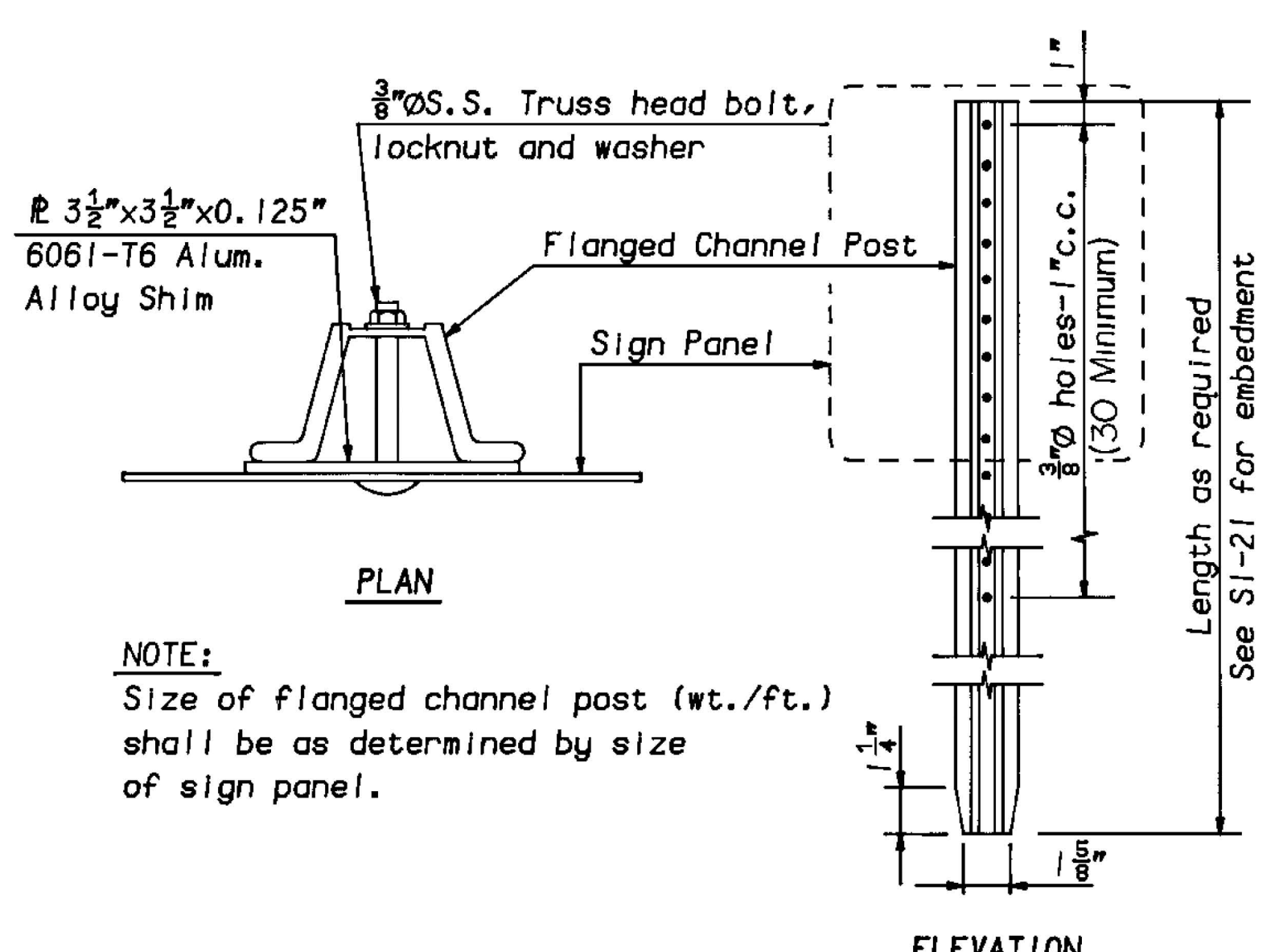
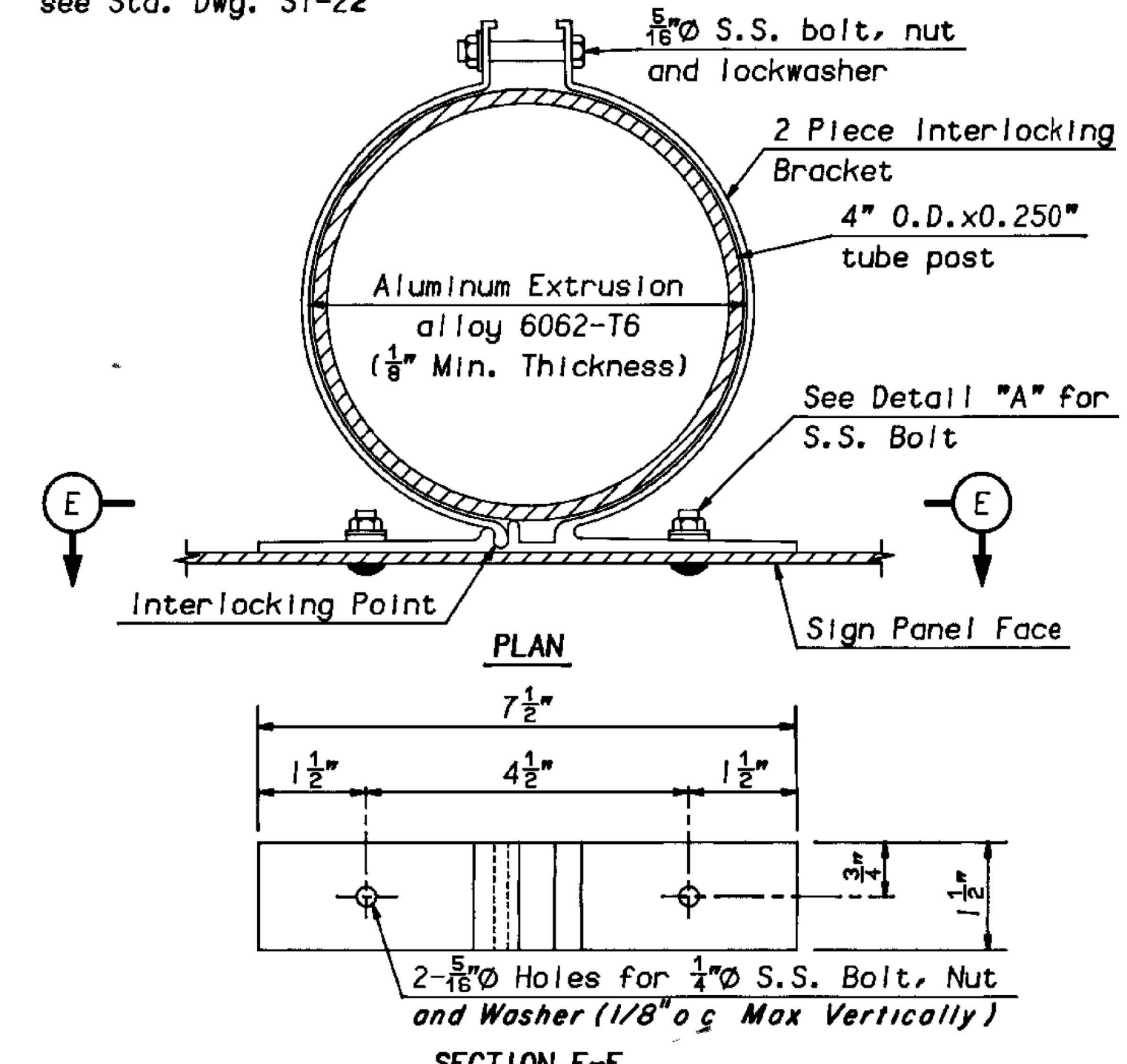


**ELEVATION
GROUND MOUNTED SIGN
ALUMINUM TUBE POST**



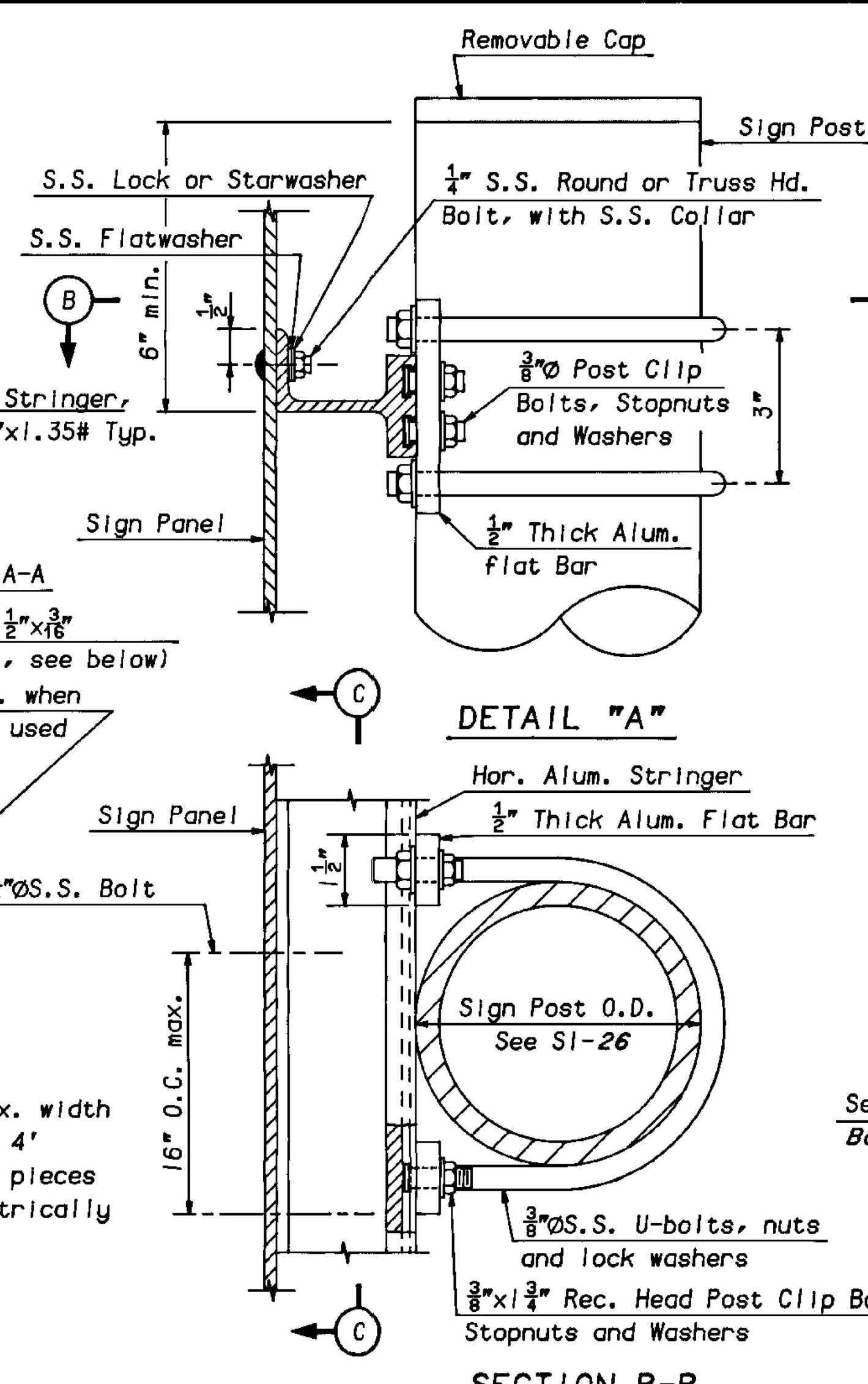
**SINGLE FLANGED CHANNEL
SIGN POST ASSEMBLY**

(For sign mounting height and offset, see "Ground Mounted Sign - Aluminum Tube Post - Elevation" above)



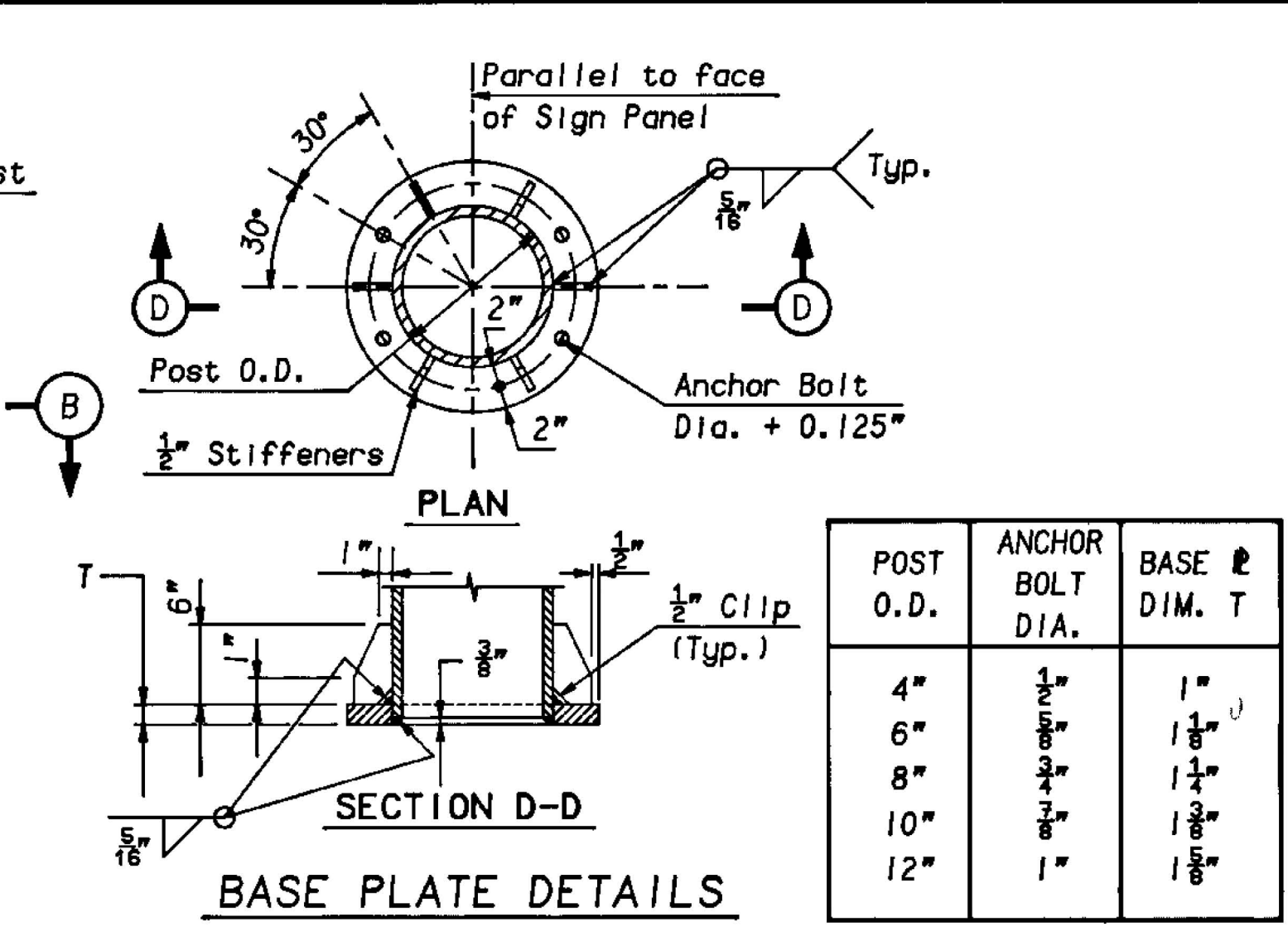
SINGLE ALUMINUM TUBE SIGN POST ASSEMBLY

NOTE: If horizontal aluminum stringers are required in accordance with Standard Drawing SI-25, sign to post attachment details shall be similar to those shown in Detail "A".



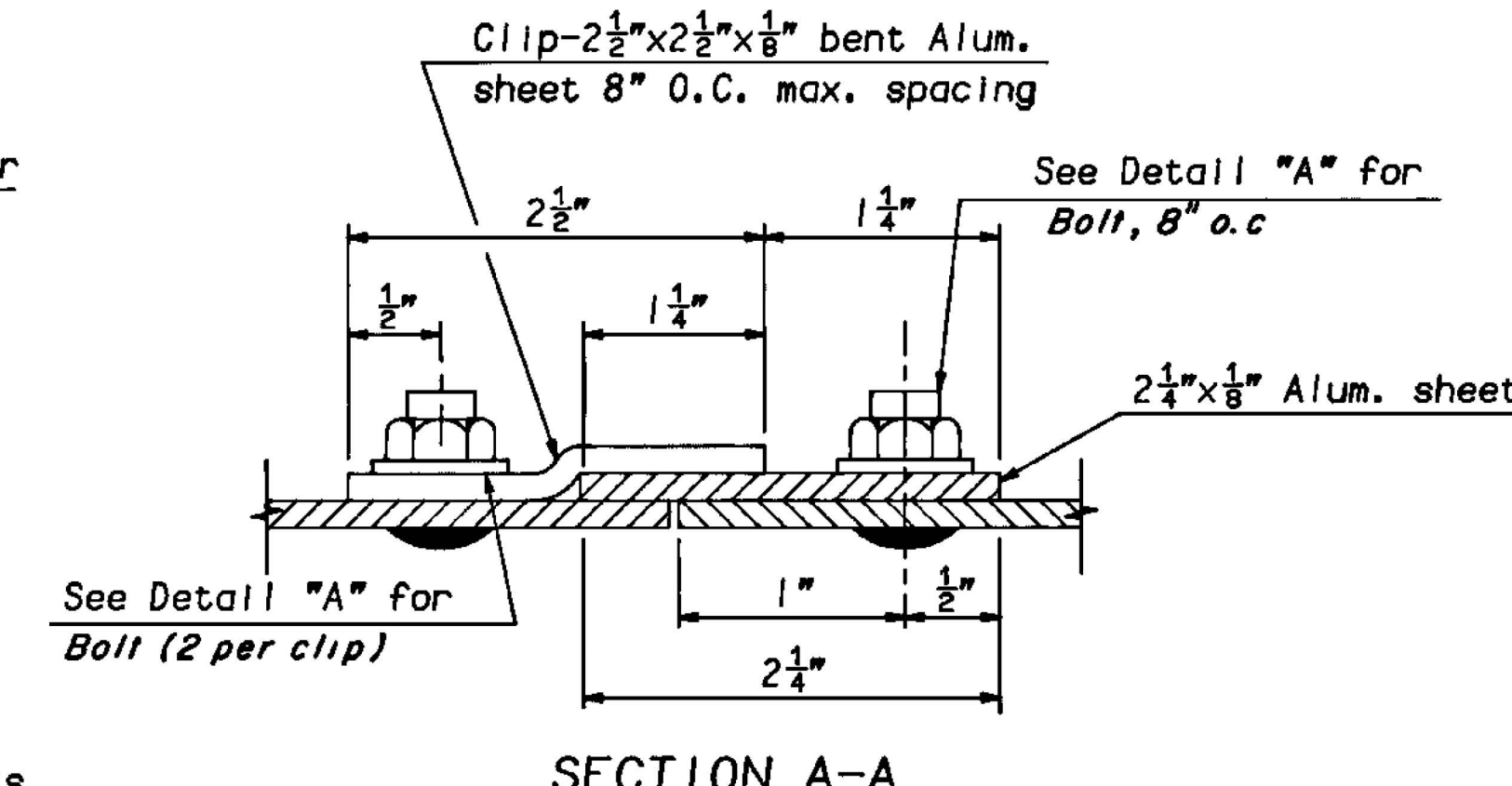
SECTION B-B

VERTICAL STIFFENER ATTACHMENT



BASE PLATE DETAILS

| POST O.D. | ANCHOR BOLT DIA. | BASE PLATE DIM. T |
|-----------|------------------|-------------------|
| 4" | 1/2" | 1" |
| 6" | 3/4" | 1 1/8" |
| 8" | 7/8" | 1 1/4" |
| 10" | 1" | 1 3/8" |
| 12" | 1" | 1 5/8" |

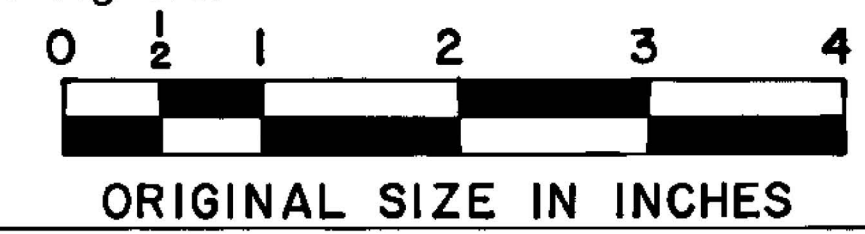


SECTION A-A

HORIZONTAL STRINGER SPLICE
(Above detail to be used only upon approval of Engineer.)

NOTES:

1. All material to be Aluminum Alloy 6061-T6 unless otherwise noted.
2. S.S. denotes Stainless Steel.
3. All material and fabrication shall conform to the current edition of the A.A.S.H.T.O. "Standard Specifications for Structural Supports for Highway Signs, Luminaires and Traffic Signals."

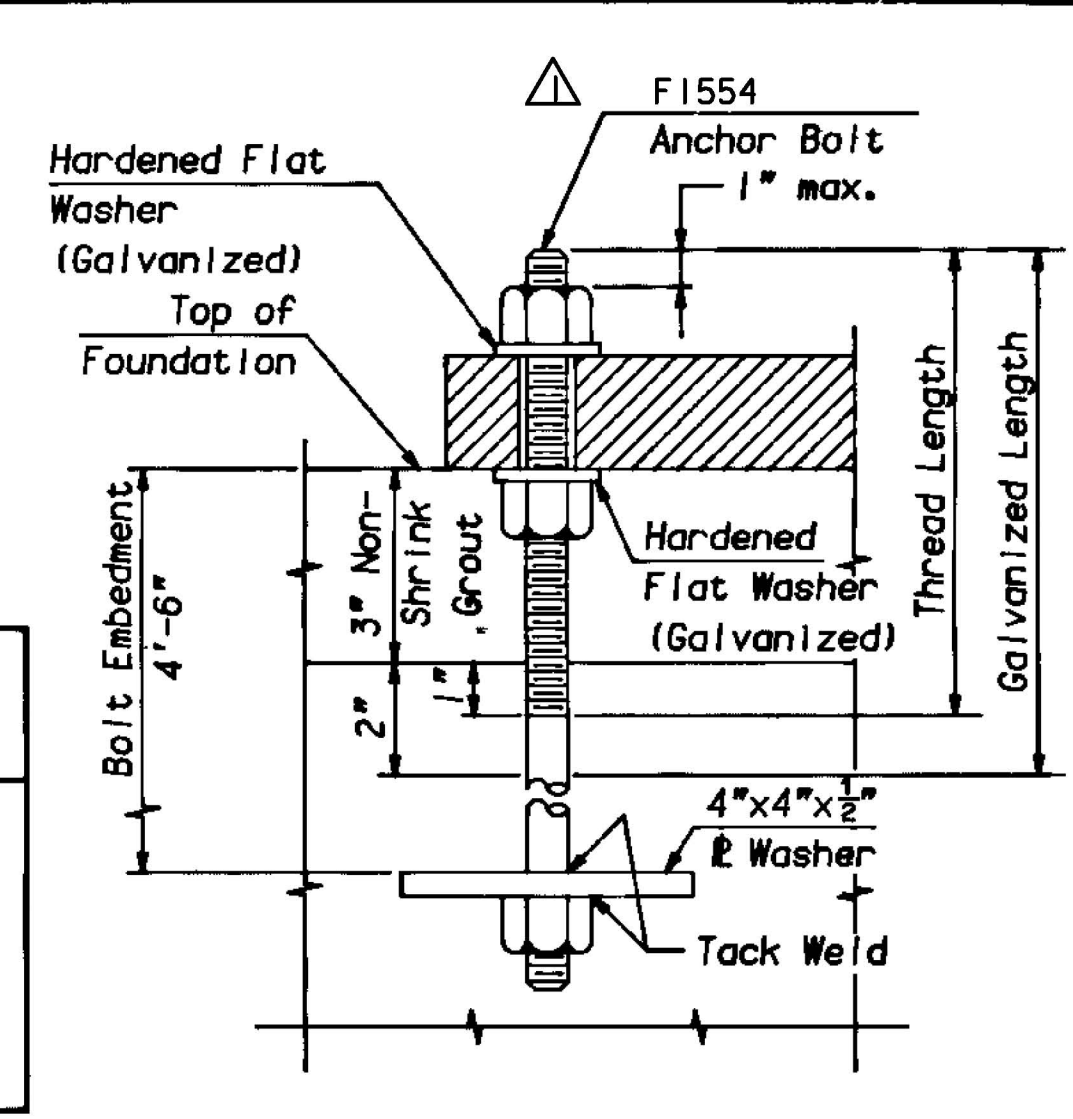


| APP | NO | DATE | REVISION |
|-----|----|-------|-----------------------------------|
| | 1 | 12/09 | REVISED ANCHOR BOLT ASTM STANDARD |
| | | 3/97 | ORIGINAL DRAWING |

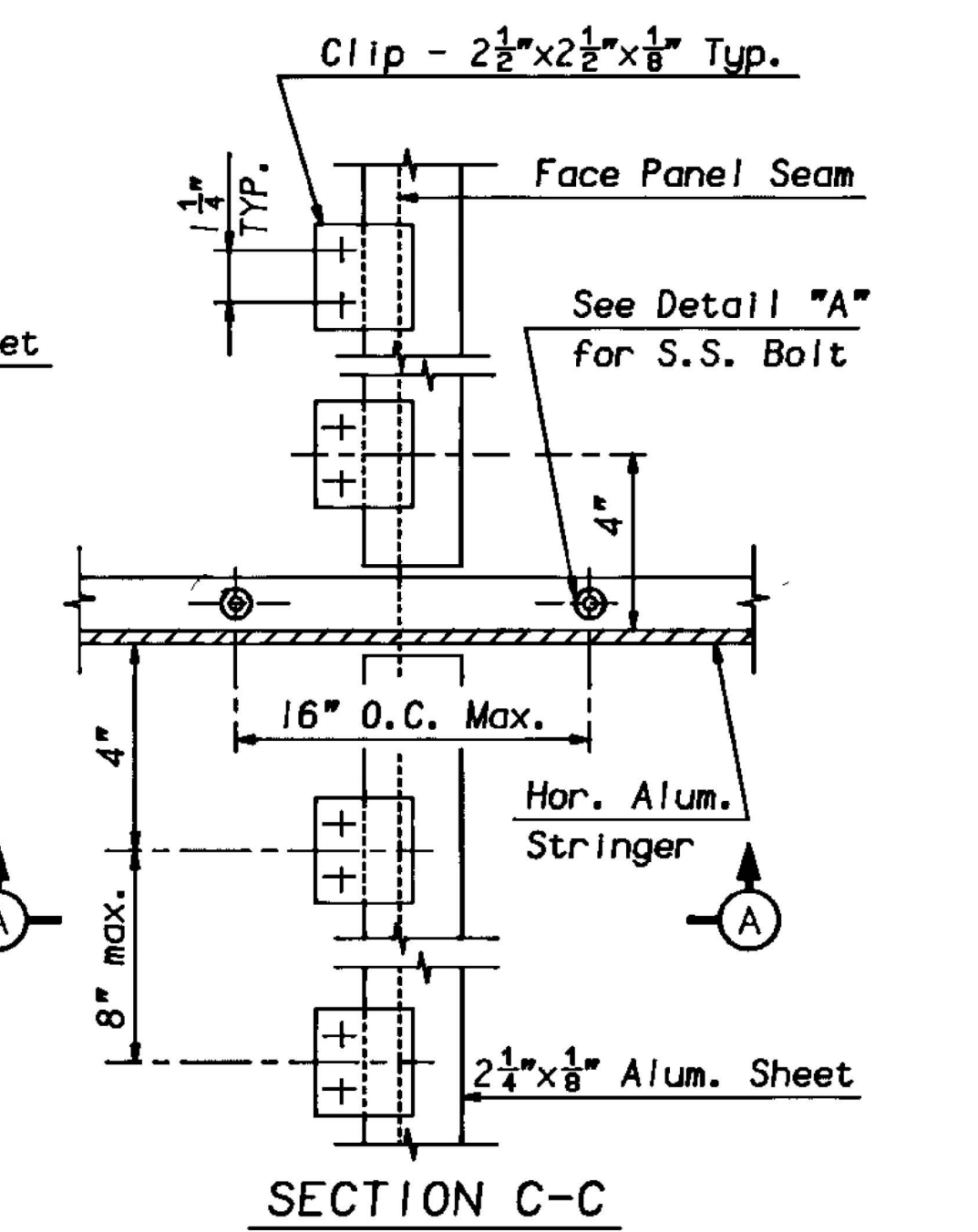
CONTRACT NO.

SHEET NO.

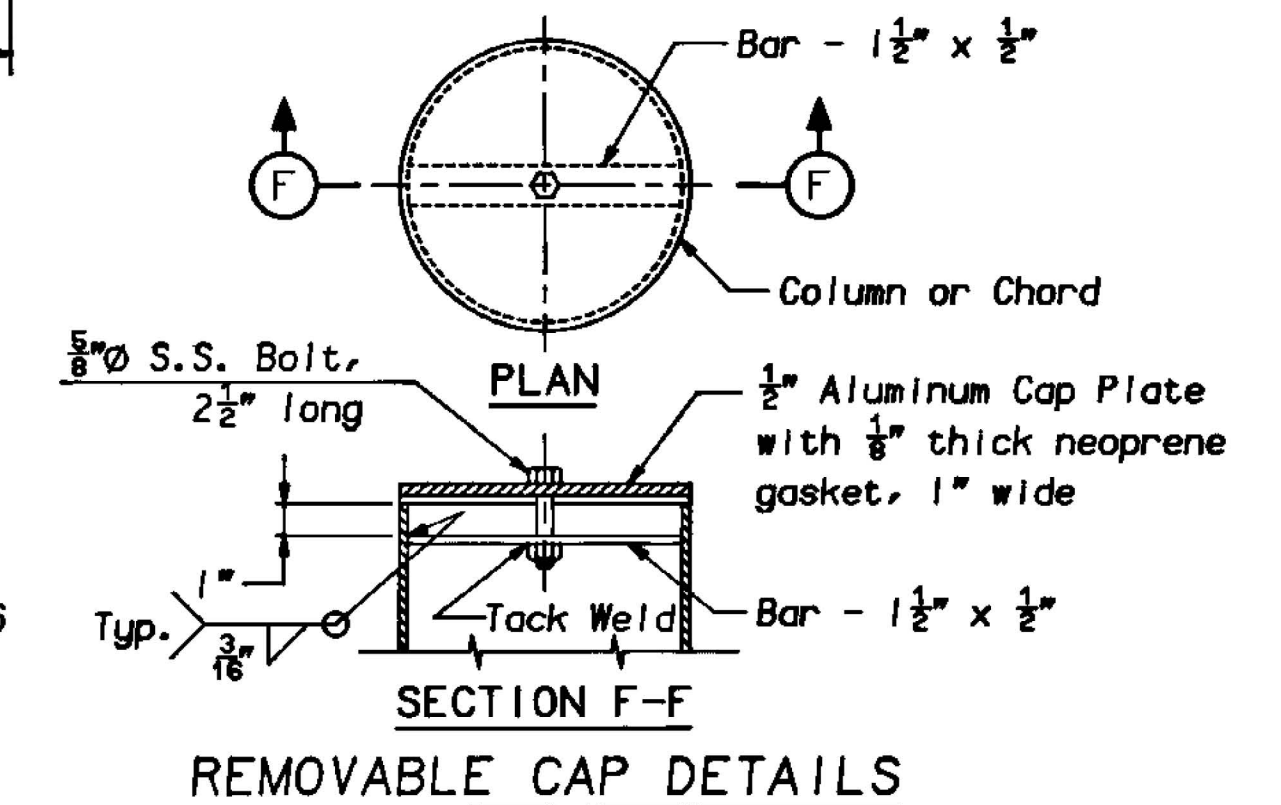
OF



ANCHOR BOLT DETAIL



SECTION C-C



REMOVABLE CAP DETAILS

NEW JERSEY TURNPIKE AUTHORITY
NEW JERSEY TURNPIKE

GROUND MOUNTED SIGN DETAILS

OFFICE OF THE CHIEF ENGINEER
NEW BRUNSWICK NEW JERSEY

1996 STANDARD DRAWING SI-13