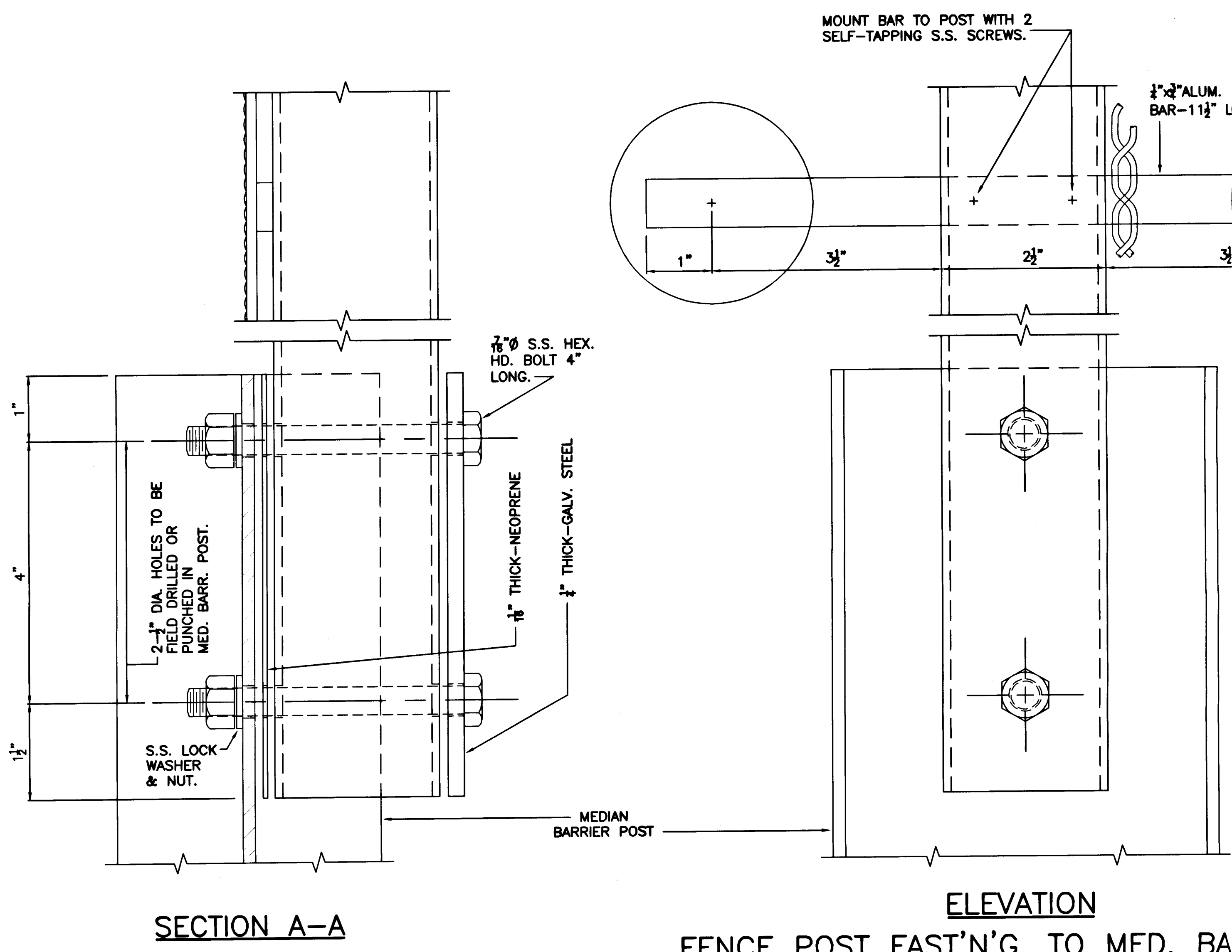
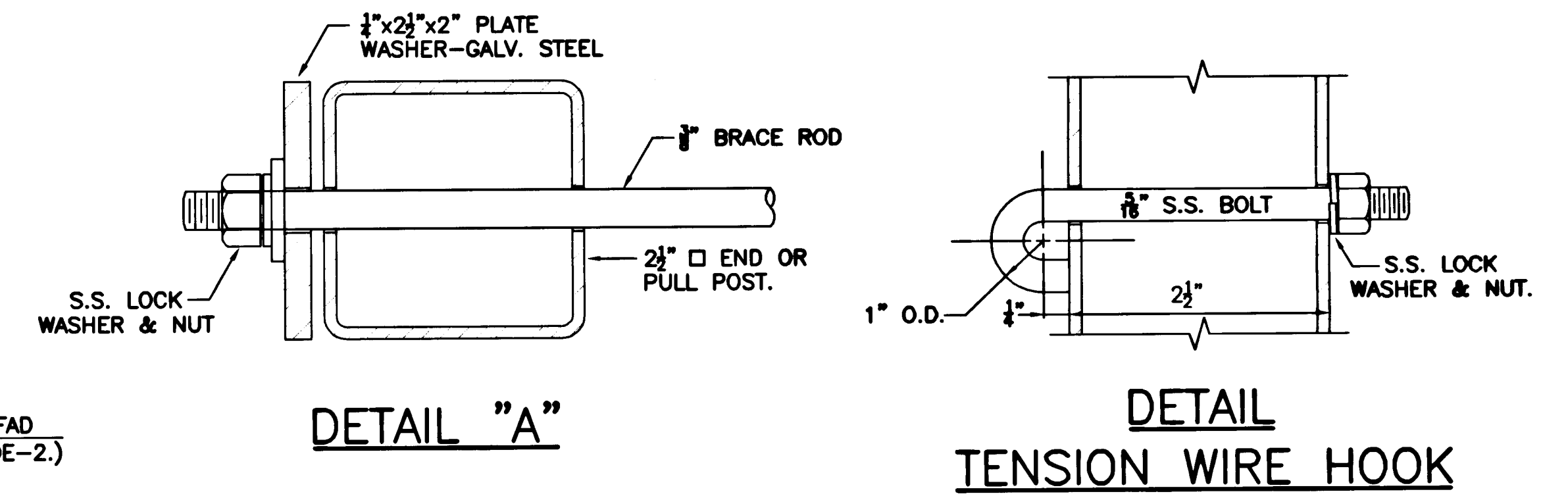


**ELEVATION**  
**CHAIN LINK FENCE ON MEDIAN BARRIER**



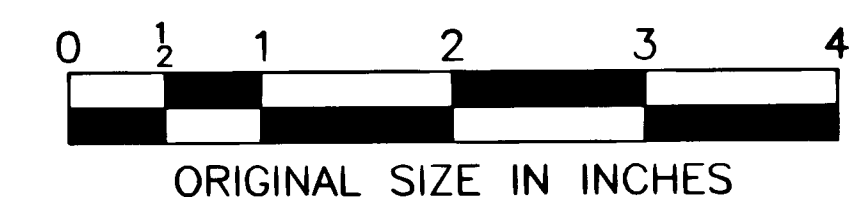
**ELEVATION**  
**FENCE POST FAST'N'G. TO MED. BARR. POST**



**DETAIL "A"**

**DETAIL**  
**TENSION WIRE HOOK**

**NOTES:**  
1. MEDIAN FENCING SHALL CONFORM TO SECTION 511.



<b>NEW JERSEY TURNPIKE AUTHORITY</b> <b>NEW JERSEY TURNPIKE</b>	
<b>MEDIAN FENCING DETAILS</b>	
OFFICE OF THE CHIEF ENGINEER WOODBRIE, NEW JERSEY	2004 STANDARD DRAWING <b>MF-1</b>

App.	No.	DATE	REVISION
		4/05	REISSUED; CONFORMS TO 2004 SPECS