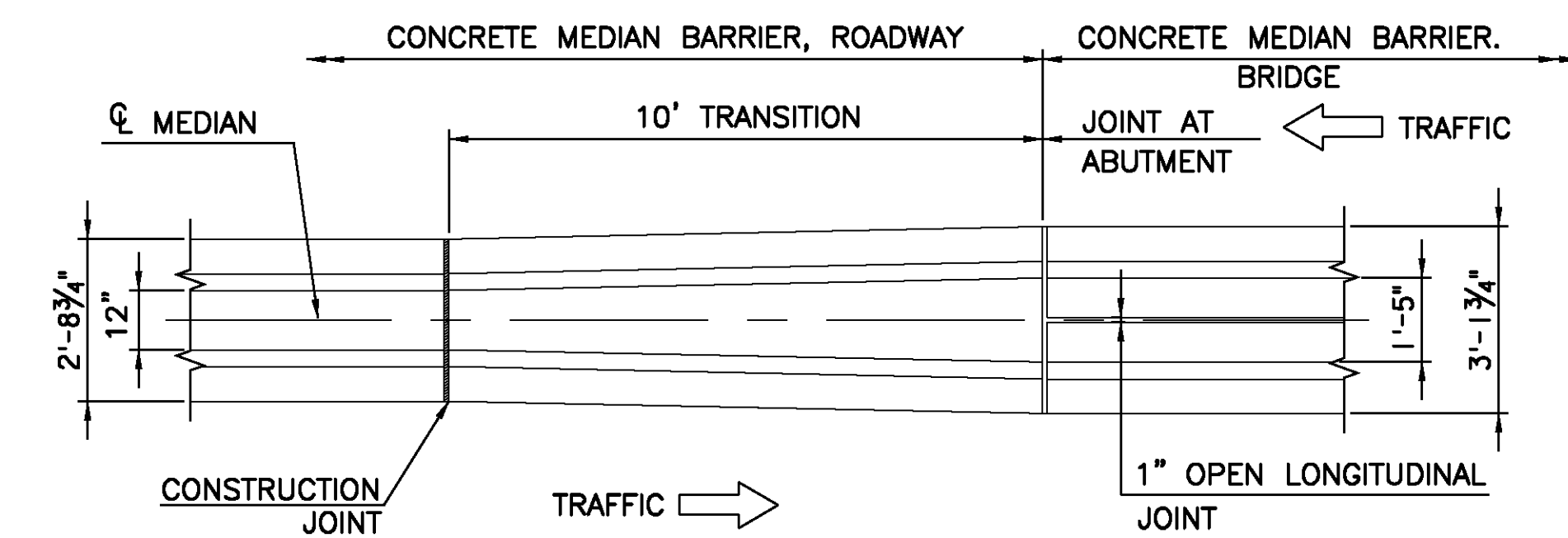
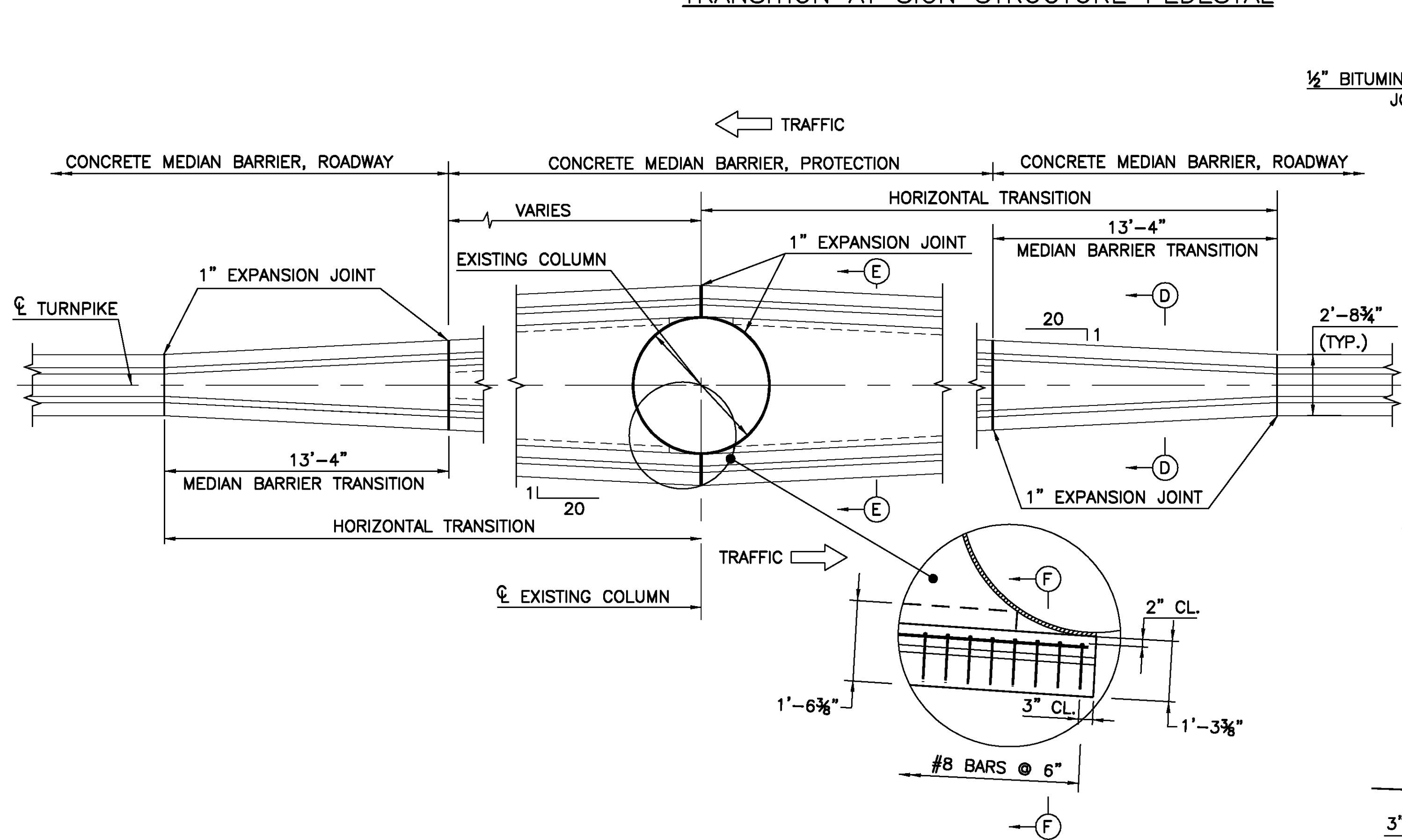


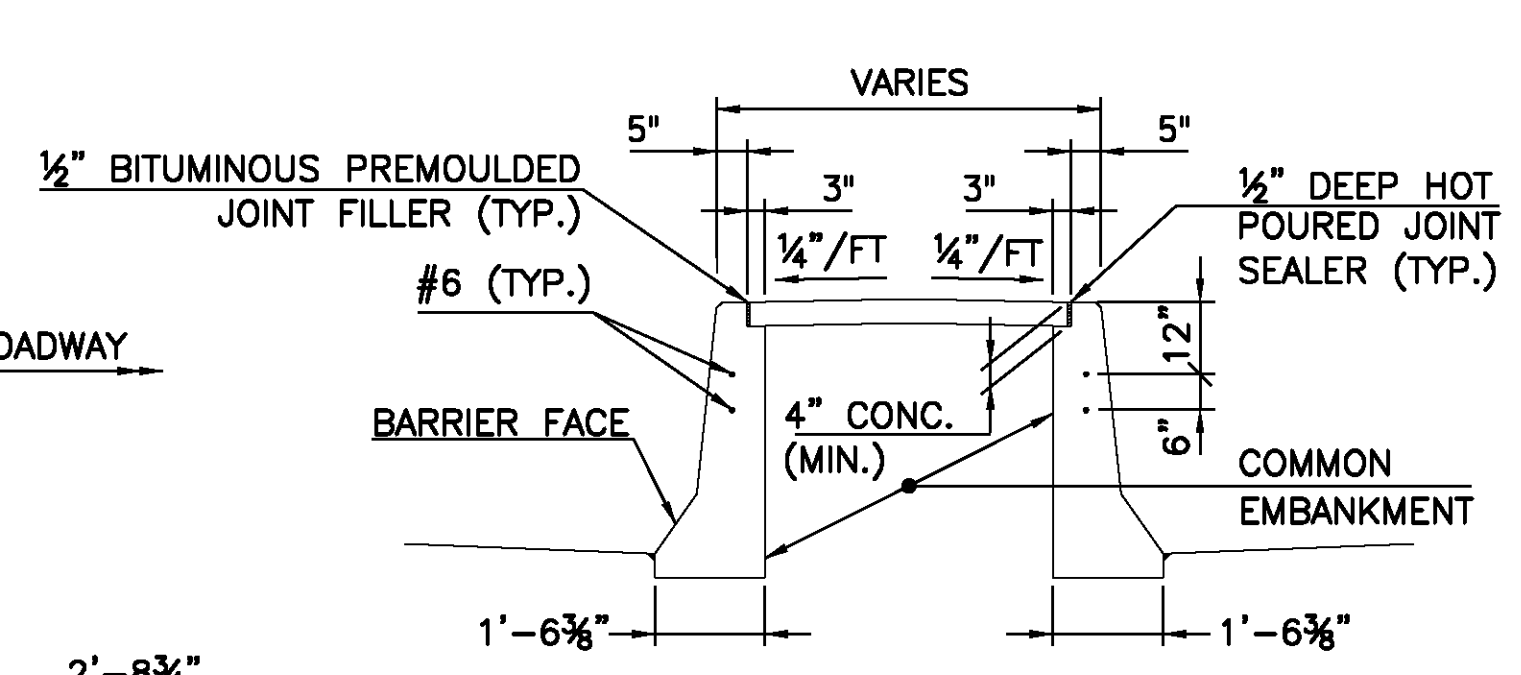
TRANSITION AT SIGN STRUCTURE PEDESTAL



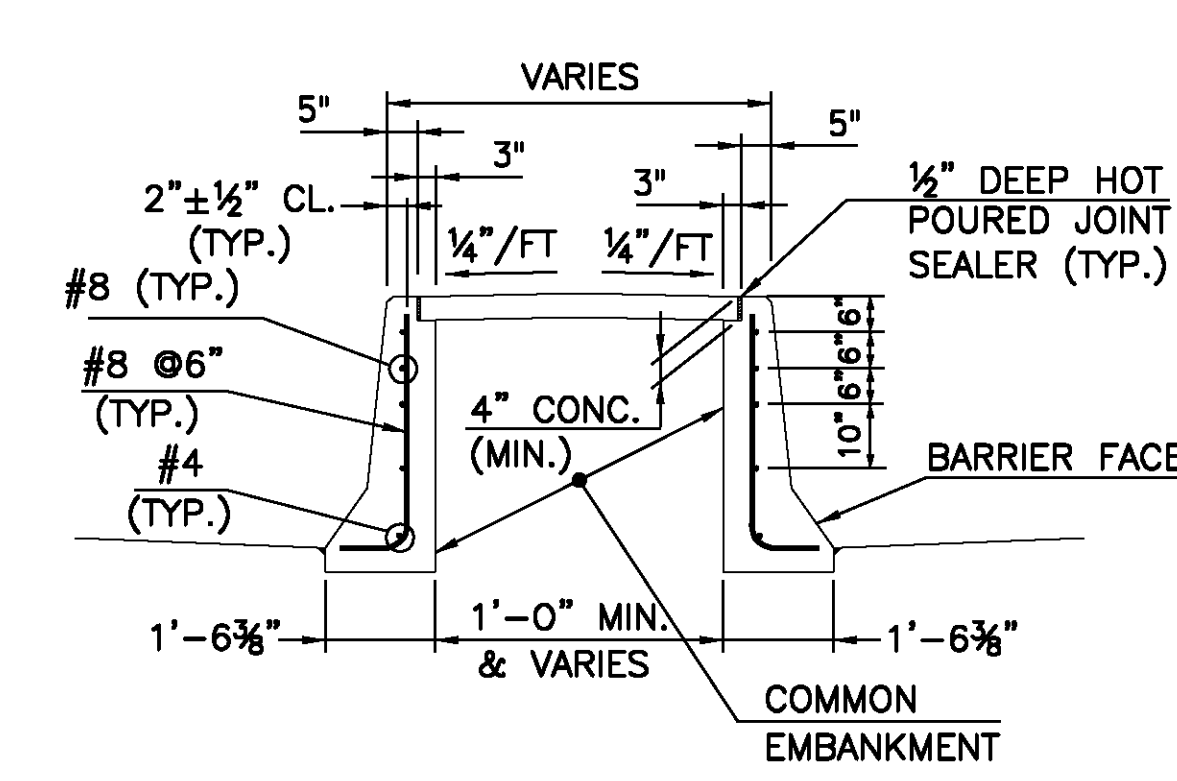
TRANSITION AT BRIDGE



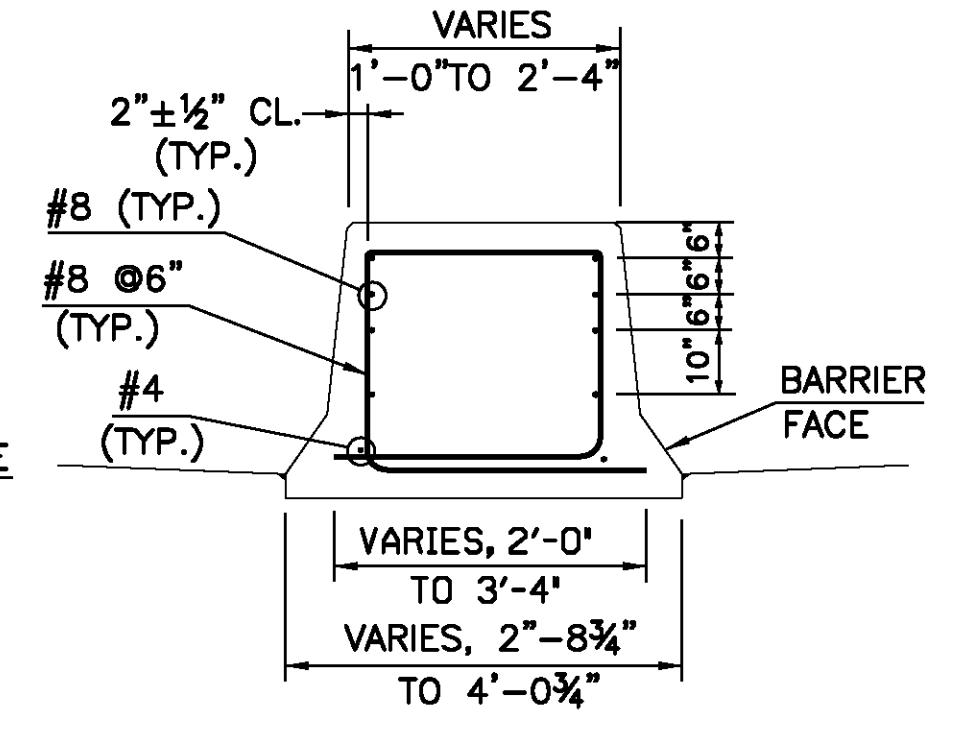
TRANSITION AT SINGLE COLUMN PIER



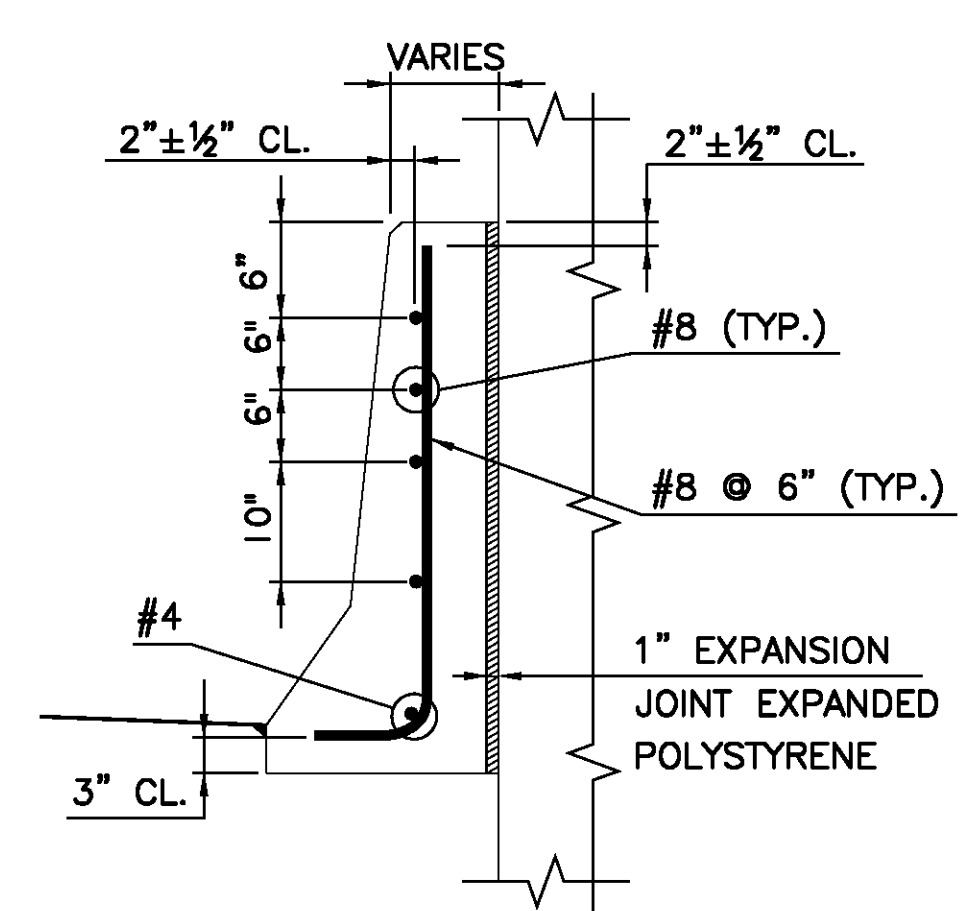
SECTION A-A



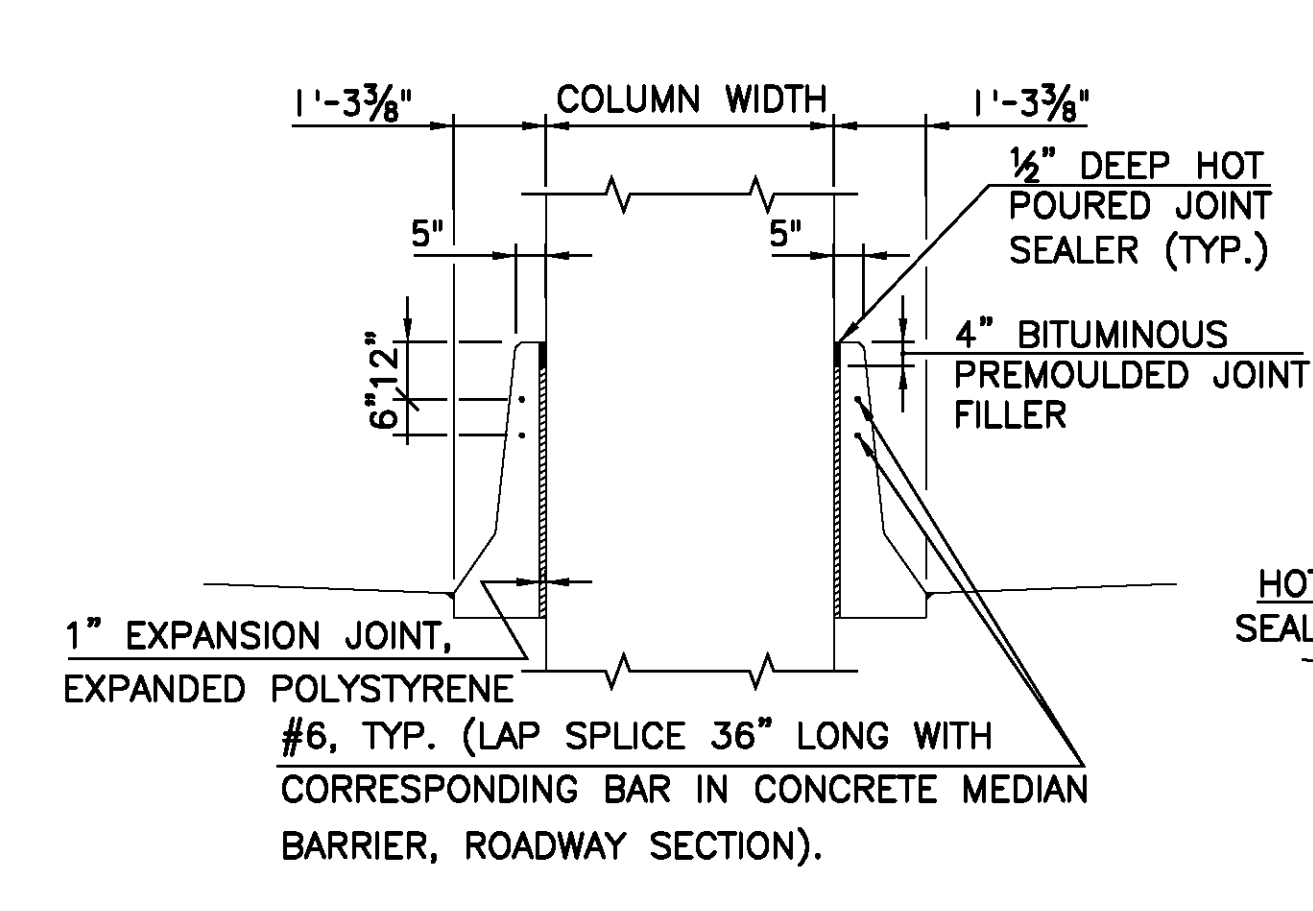
SECTION E-E



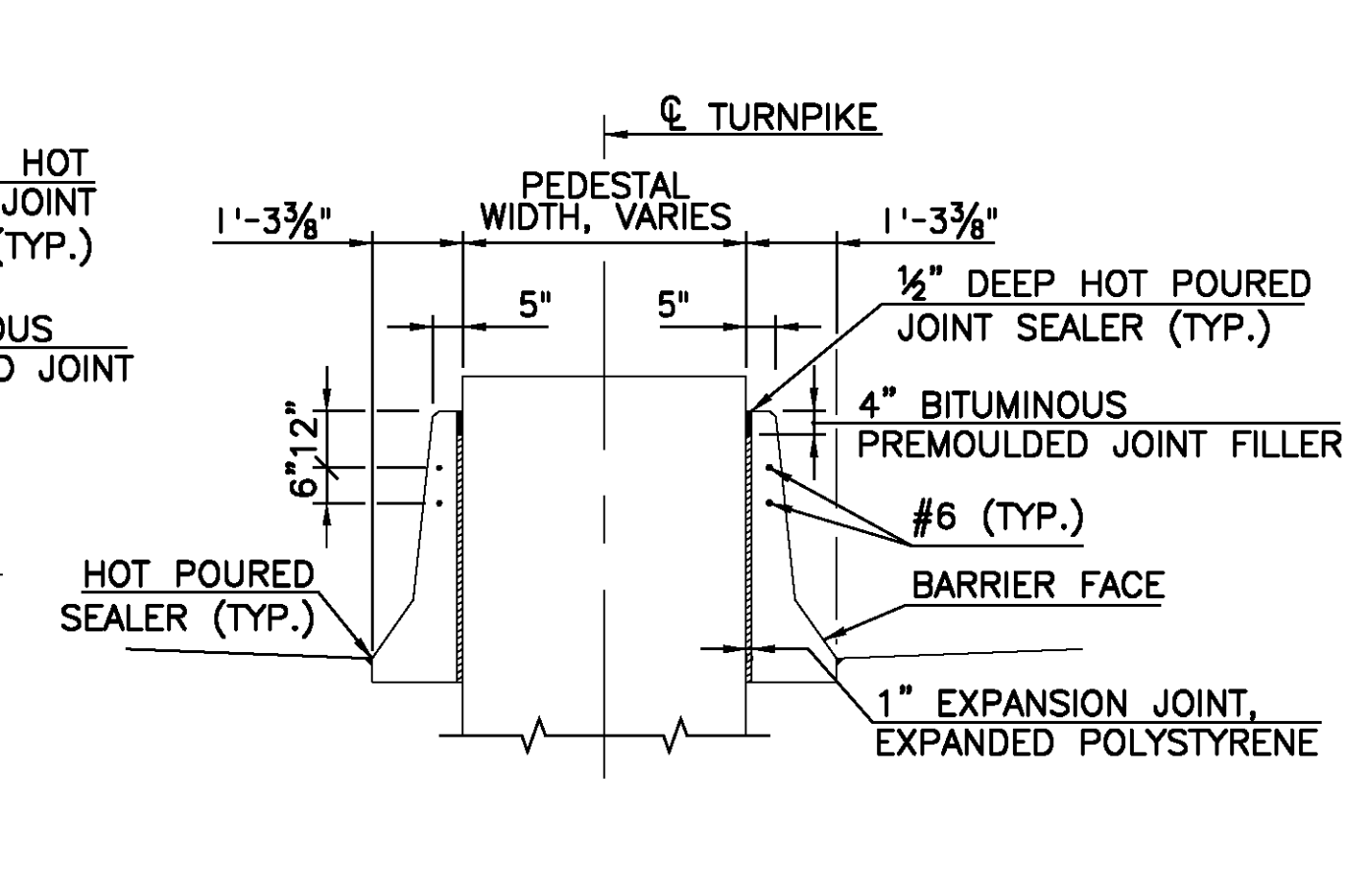
SECTION D-D



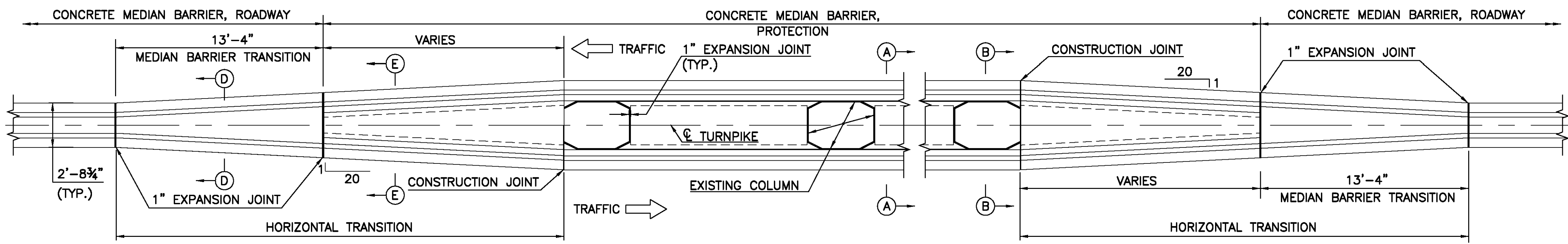
SECTION F-F



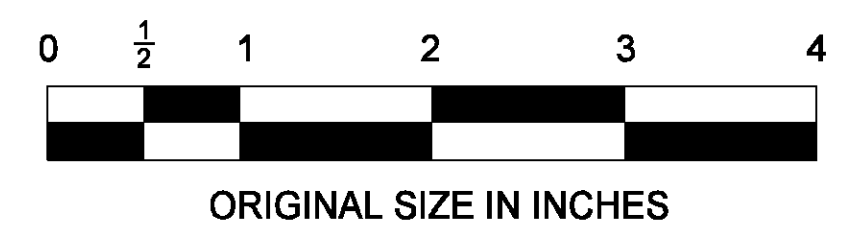
SECTION B-B



SECTION C-C



TRANSITION AT MULTI-COLUMN PIER



NEW JERSEY TURNPIKE AUTHORITY

MEDIAN BARRIER PROTECTION DETAILS

OFFICE OF THE CHIEF ENGINEER

2009 STANDARD DRAWING MB-2

App.	No.	DATE	REVISION
	1	09/09	REVISED DRAWING
		04/05	ORIGINAL DRAWING

CONTRACT NO.

SHEET NO.

OF