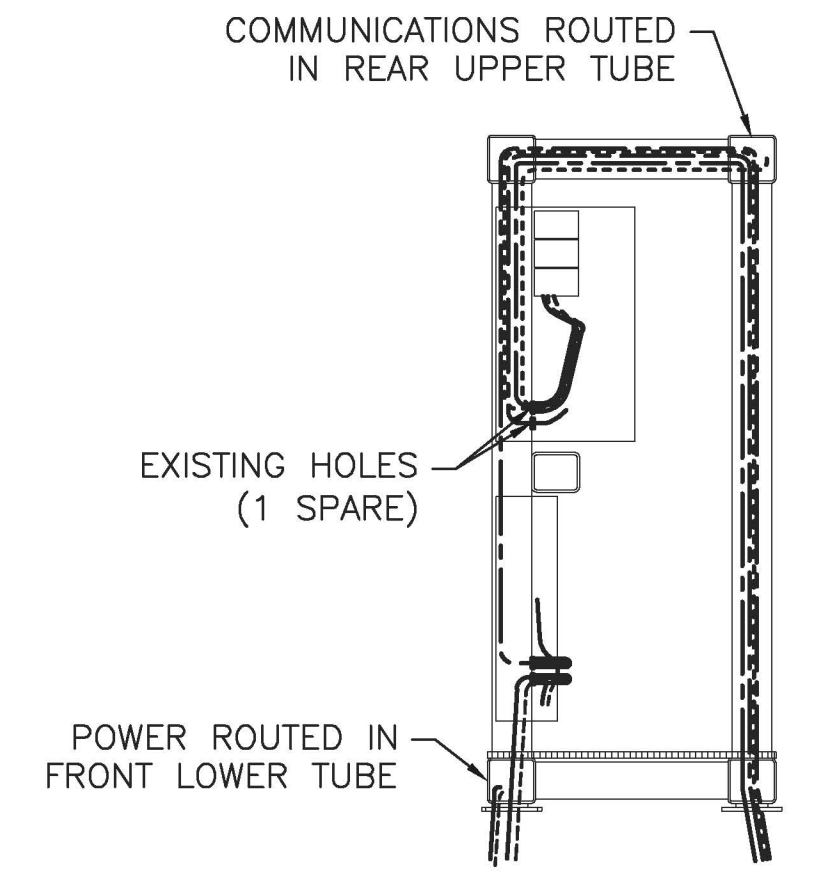


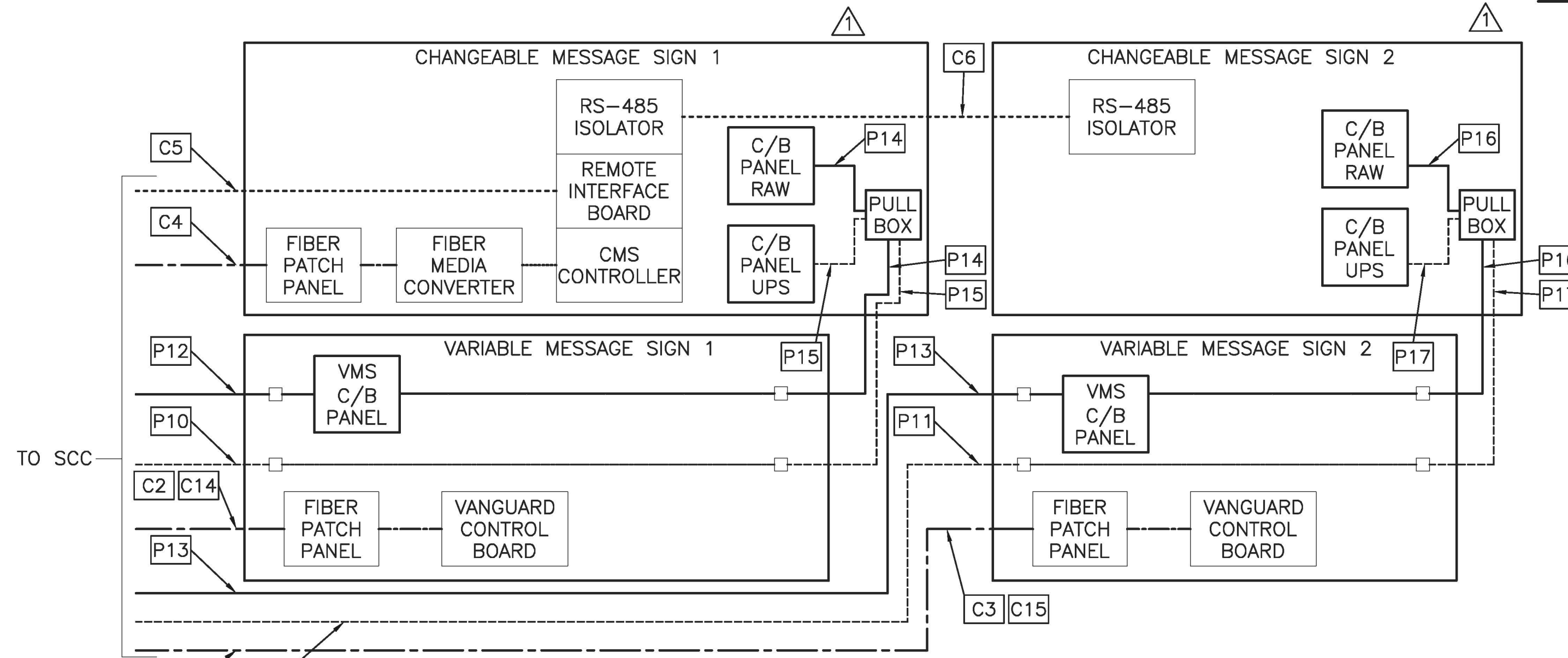
REAR ELEVATION



SIDE VIEW

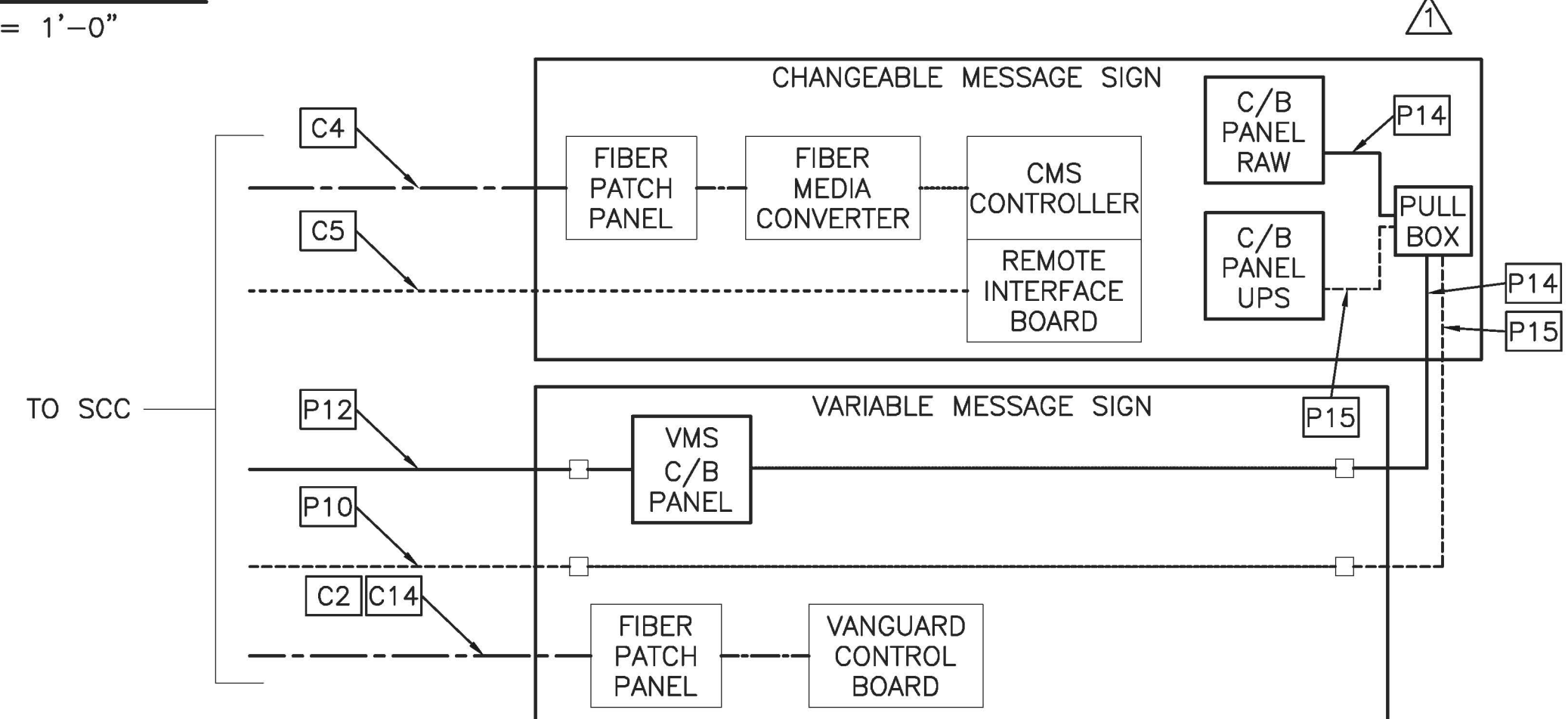
DUAL MAINLINE HCMS

SCALE: 1/4" = 1'-0"



DUAL MAINLINE HCMS WIRING DIAGRAM

NO SCALE



SINGLE MAINLINE HCMS WIRING DIAGRAM

NO SCALE

EQUIPMENT LEGEND:

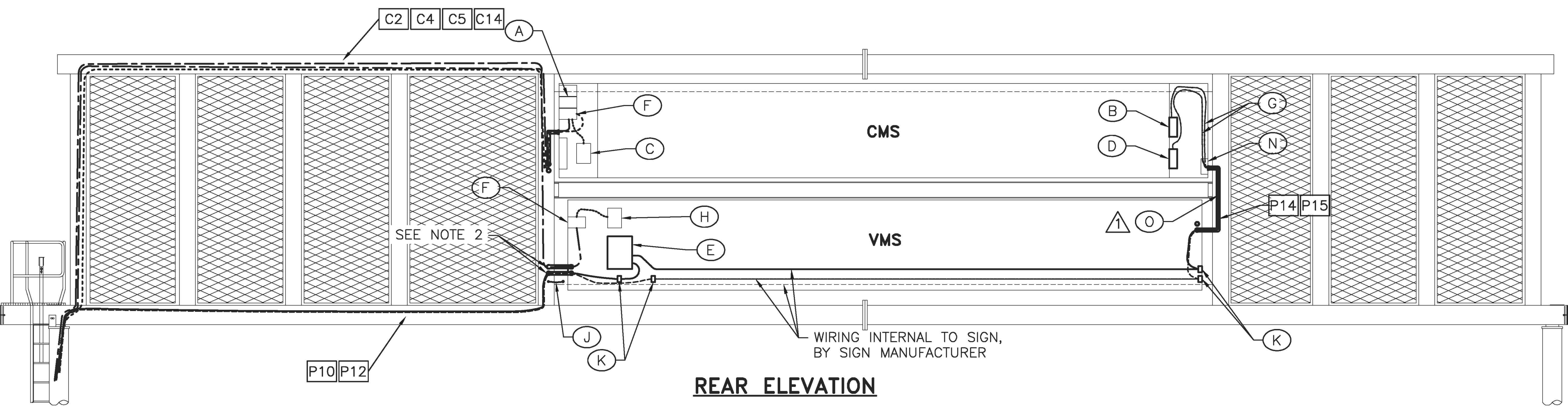
- (A) MEDIA CONVERTER
- (B) CIRCUIT BREAKER FOR LED LIGHTS, RECEPTACLES, AND HEATERS
- (C) CMS CONTROLLER ON DOOR
- (D) CIRCUIT BREAKER FOR CM POWER SUPPLIES (UPS POWER)
- (E) CIRCUIT BREAKER PANEL FOR VMS
- (F) FIBER PATCH PANEL
- (G) (2) 3/4" GREENFIELD
- (H) VMS CONTROLLER (VANGUARD CONTROLLER BOARD)
- (I) RS-485 ISOLATOR
- (J) BONDING JUMPER
- (K) TERMINAL BLOCKS
- (M) MOTOR CONTROL BOARD (MCB)
- (N) PULL BOX
- (O) (1) 2" FMC

KEY (THIS SHEET ONLY)

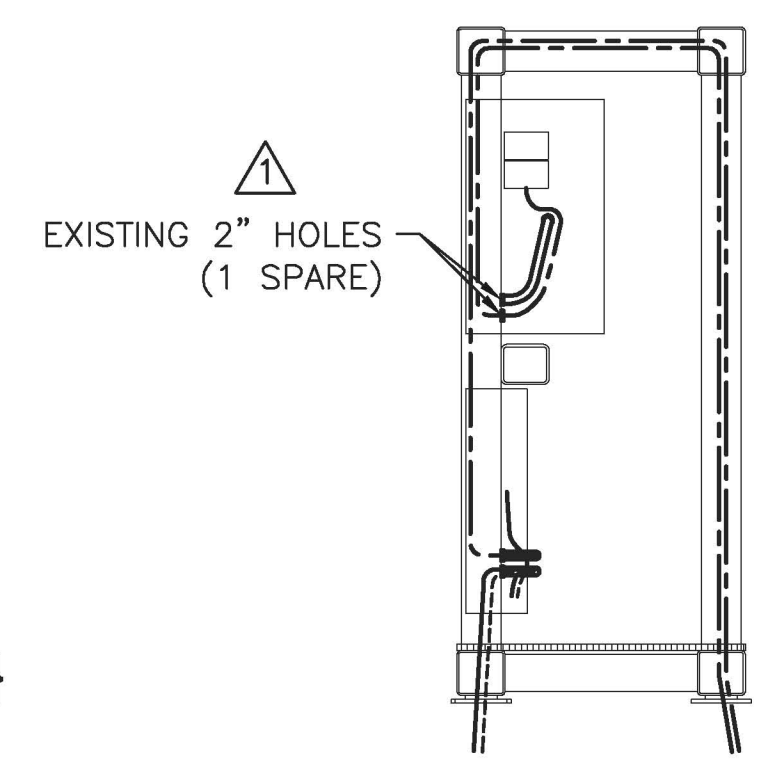
- CAT 5e CABLE
- FIBER-OPTIC CABLE
- RAW POWER
- RAW POWER (BY MANUFACTURER)
- UPS POWER
- UPS POWER (BY MANUFACTURER)
- FMC

NOTES:

1. FOR LEGEND, ABBREVIATIONS, AND CABLE AND CONDUIT SCHEDULES SEE STANDARD DRAWINGS ITS-37 AND ITS-38.
2. EXISTING HOLES IN STRUCTURAL MEMBER TO BE UTILIZED. IF HUBS ARE NOT INSTALLED, THE CONTRACTOR SHALL FURNISH AND INSTALL 2" HUBS.
3. INDICATED WIRING IS INTERNAL TO SIGN, BY MANUFACTURER.
4. MMFO CABLE PROVIDED BY DAKTRONICS FOR THE CONTRACTOR TO INSTALL.



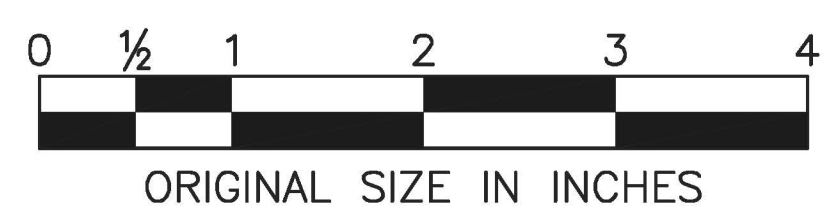
REAR ELEVATION



SIDE VIEW

SINGLE MAINLINE HCMS

SCALE: 1/4" = 1'-0"



BY	ALB	08/2013
MADE	ALB	08/2013
TRACED	MDC	08/2013
CHECKED	ALB	08/2013
SUPERVISED	ALB	08/2013

APP. NO.	DATE	REVISION
1	5/2014	WIRE MODIFICATIONS
0	11/2013	ORIGINAL DRAWING

NEW JERSEY TURNPIKE AUTHORITY  
**NEW JERSEY TURNPIKE**  
 HCMS MAINLINE  
 DETAILS - 3  
 HNTB 9 ENTIN ROAD, SUITE 202,  
 PARSIPPANY, NJ 07054 - COA# 24GA28000700  
**ANTHONY L. BARTELLO**  
 New Jersey Professional Engineer License No. GE 45842  
 STANDARD DRAWING  
 ITS-40A