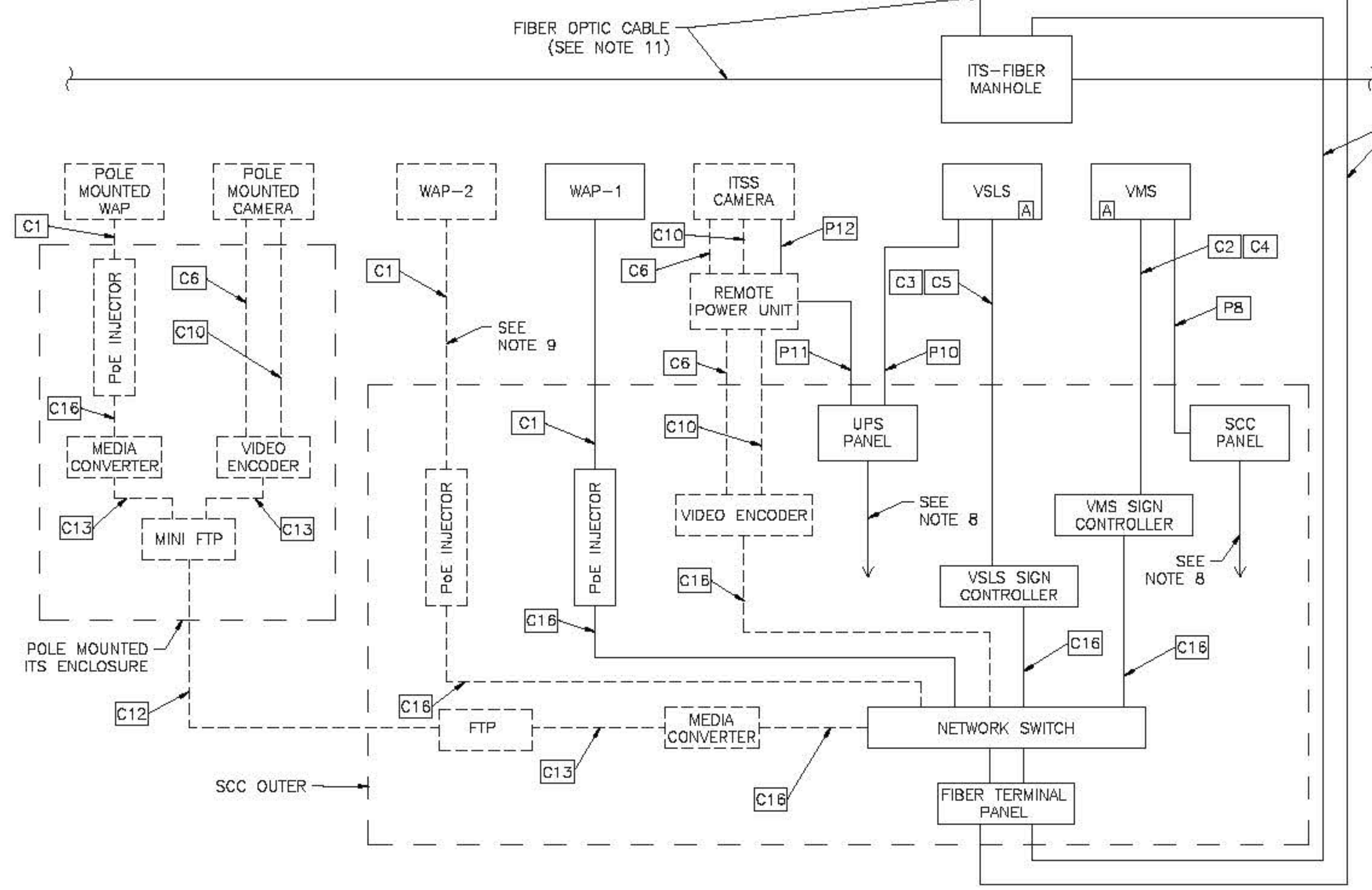


**ITSS INSTALLATION BLOCK DIAGRAM**  
 (TYPICAL FOR LOCATIONS WITH WIRELESS RADIO COMMUNICATION - SEE NOTE 10)



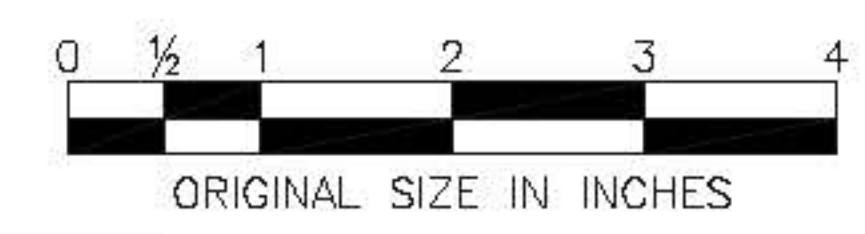
SEE NOTE 11

**ITSS DOUBLE INSTALLATION BLOCK DIAGRAM**  
 (TYPICAL FOR LOCATIONS WITH FIBER OPTIC COMMUNICATION)

**NOTES:**

- FOR LEGEND, ABBREVIATIONS, GENERAL NOTES, CABLE AND CONDUIT SCHEDULES SEE STANDARD DRAWINGS ITS-01 AND ITS-02
- EQUIPMENT SPECIFICATIONS AND WIRE SIZES SHALL BE AS SHOWN UNLESS OTHERWISE SUPERSEDED BY THE CONTRACT PLANS. SEE CONTRACT PLANS FOR LOCATIONS OF EQUIPMENT AND ROUTING OF CONDUIT.
- POWER EQUIPMENT, SUCH AS METER CABINETS, LOAD CENTERS, AND/OR OTHER EQUIPMENT SHALL BE AS SHOWN ON STANDARD DRAWING ITS-30 AND THE CONTRACT PLANS.
- FOR DETAILS ON THE TYPE OF ELECTRONIC EQUIPMENT INSTALLED, SEE STANDARD DRAWING ITS-22.
- FOR CCTV INSTALLATION DETAILS, SEE STANDARD DRAWINGS ITS-23, ITS-32 THROUGH ITS-34.
- CONNECTION OF ITS DEVICES SHOWN ARE TYPICAL. INSTALL QUANTITY OF ITS DEVICES AS SHOWN ON THE CONTRACT PLANS.
- WHERE REMOTE POLE MOUNTED WAP AND CCTV EQUIPMENT IS UTILIZED, FIBER OPTIC CABLING SHALL BE EXTENDED. SEE STANDARD DRAWINGS ITS-19, ITS-32 AND ITS-33 FOR DETAILS.
- POWER CABLE INSIDE SCC CABINET NOT SHOWN FOR CLARITY (SEE STANDARD DRAWING ITS-30)
- INSTALL ADDITIONAL WAP IF DIRECTED ON THE PLANS.
- WHERE PLANS REQUIRE ITSS DOUBLE WITH WIRELESS RADIO COMMUNICATION, CONFIGURE EACH SCC AS SHOWN. COMMUNICATION CABLES BETWEEN INNER AND OUTER SCCs NOT REQUIRED FOR WIRELESS DOUBLE ITSS INSTALLATION.
- SEE CONTRACT PLANS AND SPECIFICATIONS FOR DELINEATION OF WORK FOR INSTALLATION OF FIBER OPTIC CABLE(S).
- ITEMS SHOWN IN DASHED LINETYPE MAY VARY BY LOCATION. SEE CONTRACT PLANS FOR SPECIFIC INSTALLATIONS.
- "A" INDICATES AUXILIARY CONTROLLER IN VMS OR VLSL.
- COAXIAL CABLE SHALL BE FURNISHED TO THE CONTRACTOR.
- THIS DRAWING SHALL BE USED WHEN ANALOG CAMERA INSTALLATION IS REQUIRED OR AS OTHERWISE DIRECTED BY AN ENGINEER.

MADE	BY	DATE
TRACED	DR	08/2010
CHECKED	GMS	08/2010
SUPERSEDED	MS	08/2010
	ALB	08/2010



APP.	NO.	DATE	REVISION
	C	10/2013	CONFORMED DRAWING

NEW JERSEY TURNPIKE AUTHORITY  
**NEW JERSEY TURNPIKE**  
 ITS COMMUNICATIONS  
 DIAGRAM - ANALOG

HNTB 9 ENTH ROAD, SUITE 202,  
 PARSIPPANY, NJ 07054 - CO# 24628000700  
**ANTHONY L. BARTELLO**  
 New Jersey Professional Engineer License No. 0E 40892

**STANDARD DRAWING**  
 ITS-31