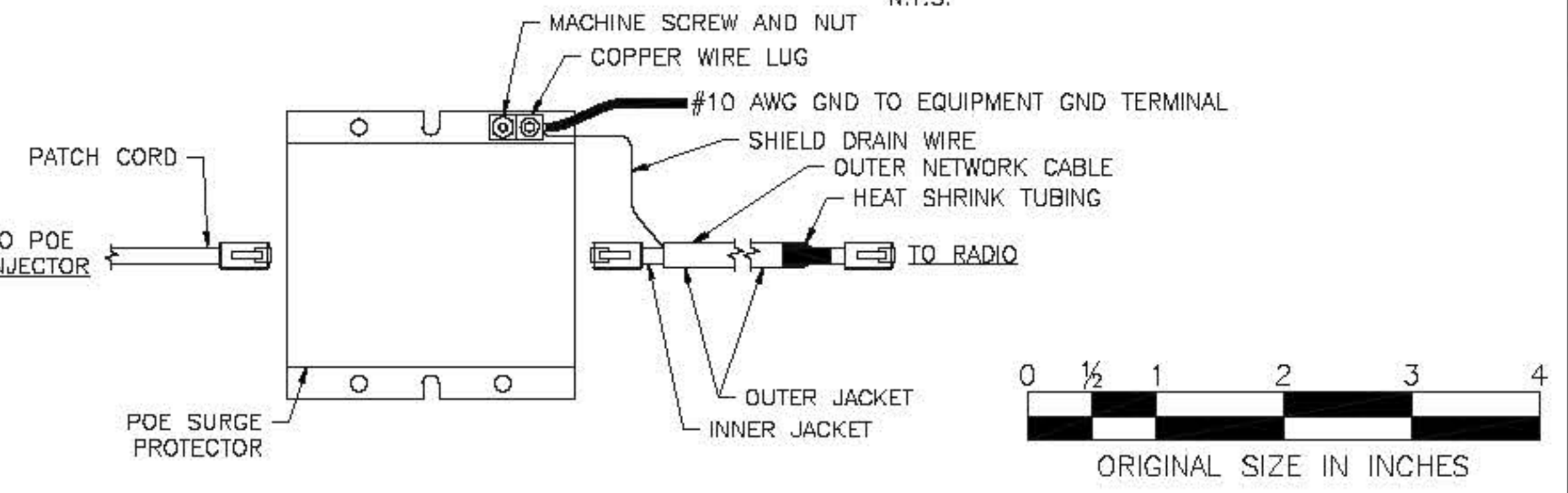


**NOTES:**

- FOR LEGEND, ABBREVIATIONS, AND GENERAL NOTES, SEE DRAWINGS ITS-01 AND ITS-02.
- TYPICAL INSTALLATIONS SHALL BE APPLIED TO OTHER APPLICABLE INSTALLATION UNLESS OTHERWISE NOTED.
- SEE VM STANDARD DRAWINGS FOR SIGN STRUCTURE DETAILS.
- FINAL LOCATION OF THE MOUNT AND MOUNTING HEIGHT OF RADIO ANTENNA SHALL BE COORDINATED WITH THE ENGINEER.
- FOR OVERHEAD SPAN STRUCTURE, ANTENNA MOUNT SHALL BE INSTALLED ON THE INNER SIDE OF THE TOP CHORD.
- CONTRACTOR SHALL FIELD DRILL HOLE IN SIGN STRUCTURE AND INSTALL CONDUIT FITTING FOR COMMUNICATIONS CABLE. ALL EDGES OF HOLE SHALL BE DEBURRED AND REMOVED OF ANY SHARP EDGES THAT MAY DAMAGE THE CABLE.
- PERFORM ALL INSTALLATIONS SHOWN AS PER DIRECTION OF EQUIPMENT MANUFACTURER, RADIO CONTRACTOR AND AUTHORITY.
- END NODE RADIO, COAXIAL CABLES AND WIRELESS RADIO PROVIDED BY AUTHORITY. INSTALL EQUIPMENT AS SHOWN. COAXIAL CABLE SHALL HAVE MIN 5" AND MAX 8" BEND RADIUS AT BOTH ENDS.
- ALL HARDWARE AND MATERIAL SHALL BE STAINLESS STEEL, ASTM A240, TYPE 304.
- PROVIDE SHOP DRAWINGS FOR ALL MATERIALS FURNISHED AND MODIFICATIONS TO MATERIALS PROVIDED BY AUTHORITY UNDER THIS ITEM.

- CONTRACTOR MAY BE REQUIRED TO MAKE MODIFICATIONS TO THE SUPPLIED RADIO AND ANTENNA MOUNTING BRACKET TO FIT THE SPECIFIED MAST PIPE.
- USE OUTDOOR RATED NETWORK CABLE AS PATCH CORDS BETWEEN EQUIPMENT INSIDE SCC.
- THE RADIO ANTENNA COAX CABLE CONNECTIONS SHOULD BE TAPED WITH AN UNDER-LAYER OF VINYL ELECTRICAL TAPE, A LAYER OF BUTYL MASTIC, AND AN OUTER LAYER OF VINYL ELECTRICAL TAPE TO PROVIDE A WATER-TIGHT SEAL.

MATERIAL SIZES		
	OVERHEAD STRUCTURE	CANTILEVER & BUTTERFLY STRUCTURE
A	1'-1 1/16"	1'-5 1/16"
B	10 9/16"	1'-2 1/16"
C	10"	10"
D	7"	7"
E	1 1/2"	1 1/2"
F	10"	1'-2"
G	1'-3 1/2"	1'-8"



**POE SURGE PROTECTOR**  
SCALE: 6" = 1'-0"

**NEW JERSEY TURNPIKE AUTHORITY**  
**NEW JERSEY TURNPIKE**  
**RADIO ANTENNA MOUNT**

HNTB 9 ENTH RD, SUITE 202, PARSIPPANY, NJ 07054 - CO# 24628000700  
**ANTHONY L. BARTELLO**  
Professional Engineer License No. CE 42982

**STANDARD DRAWING**  
**ITS-26**

APP. NO. DATE REVISION  
C 10/2013 CONFORMED DRAWING