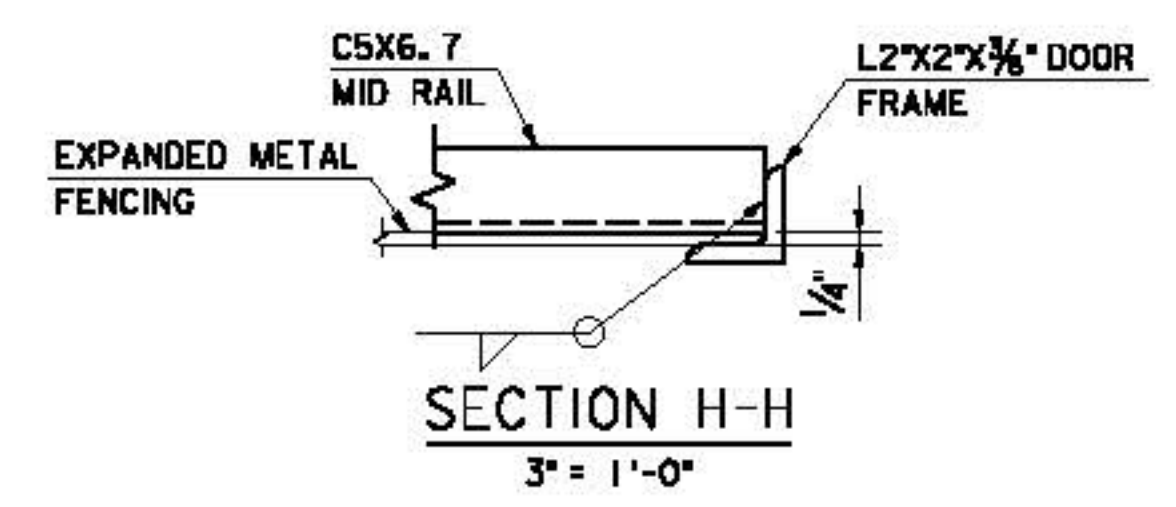
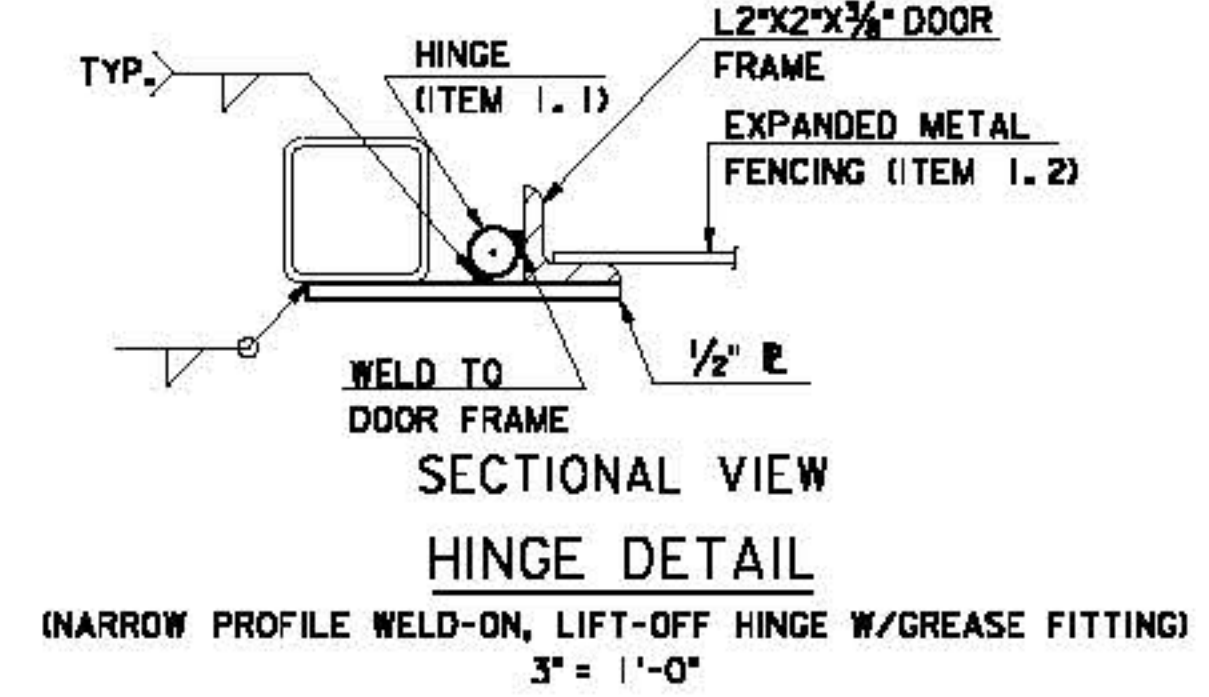
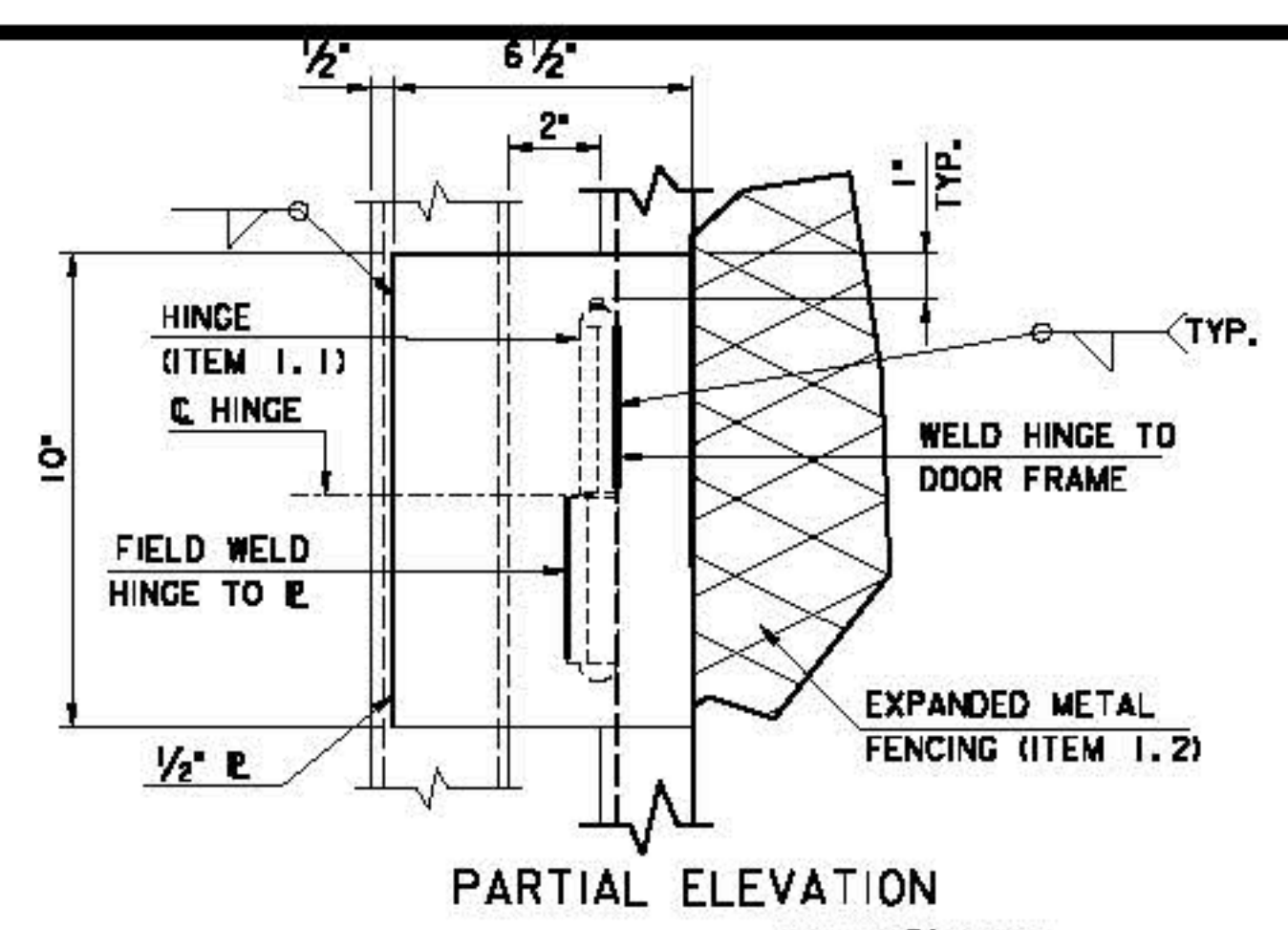
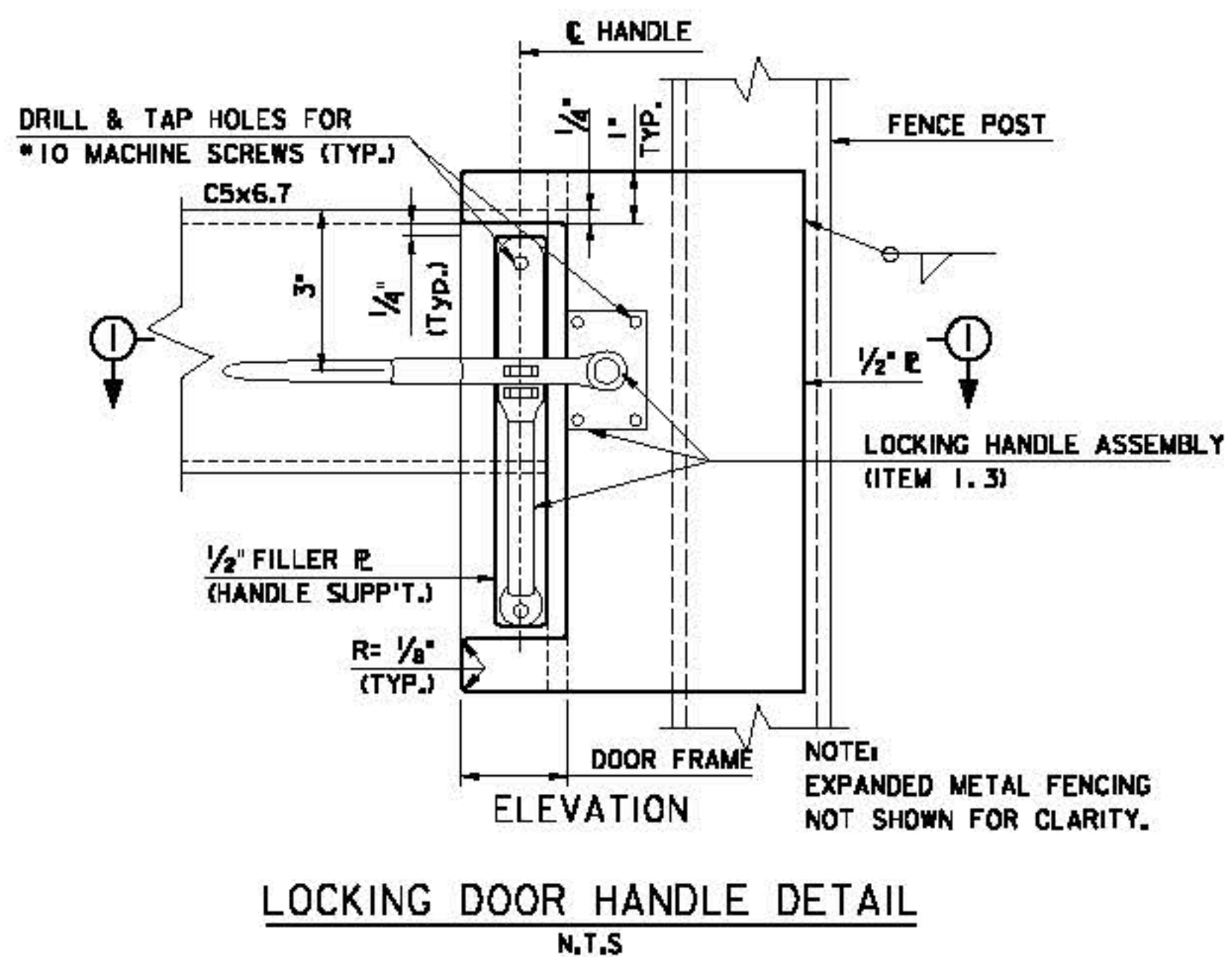
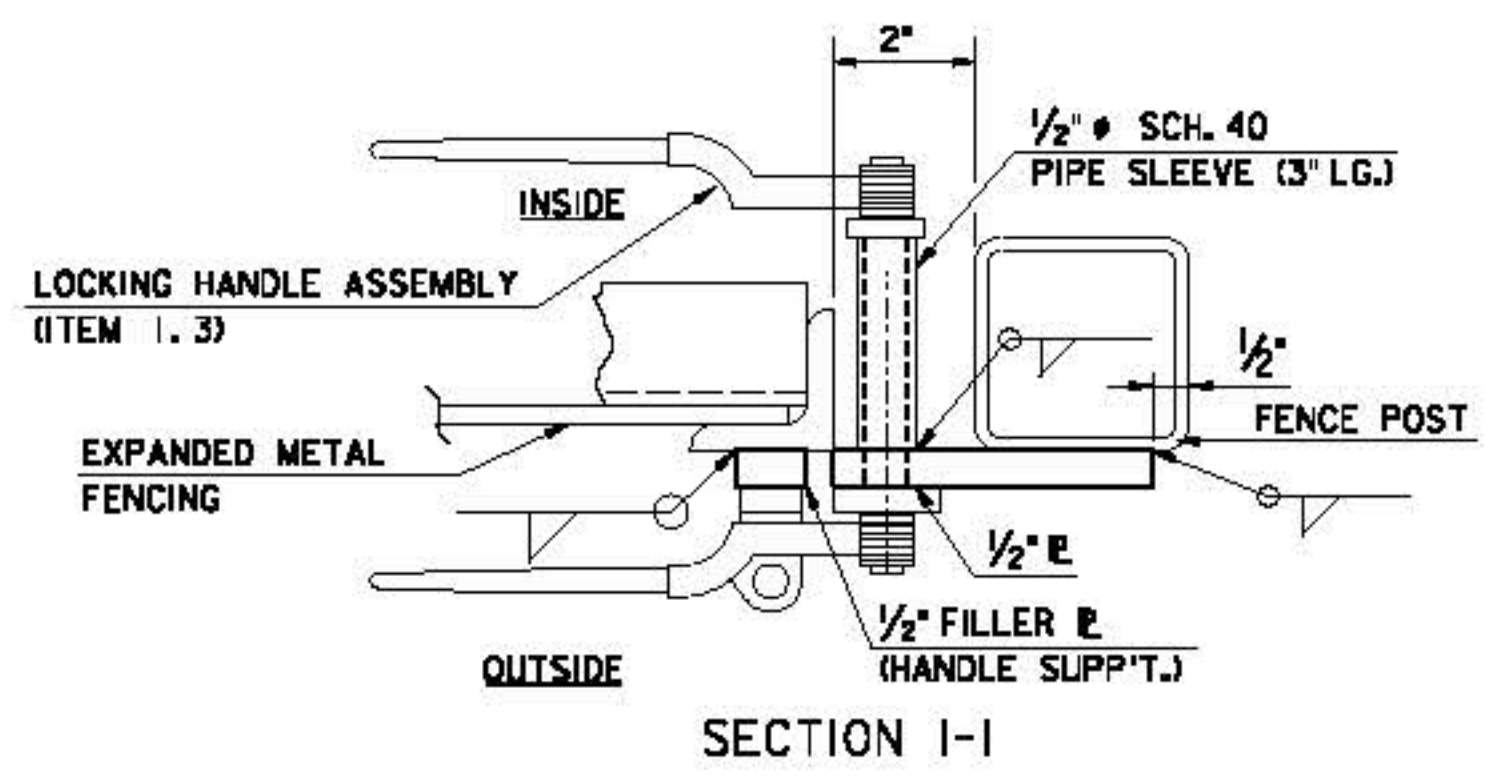
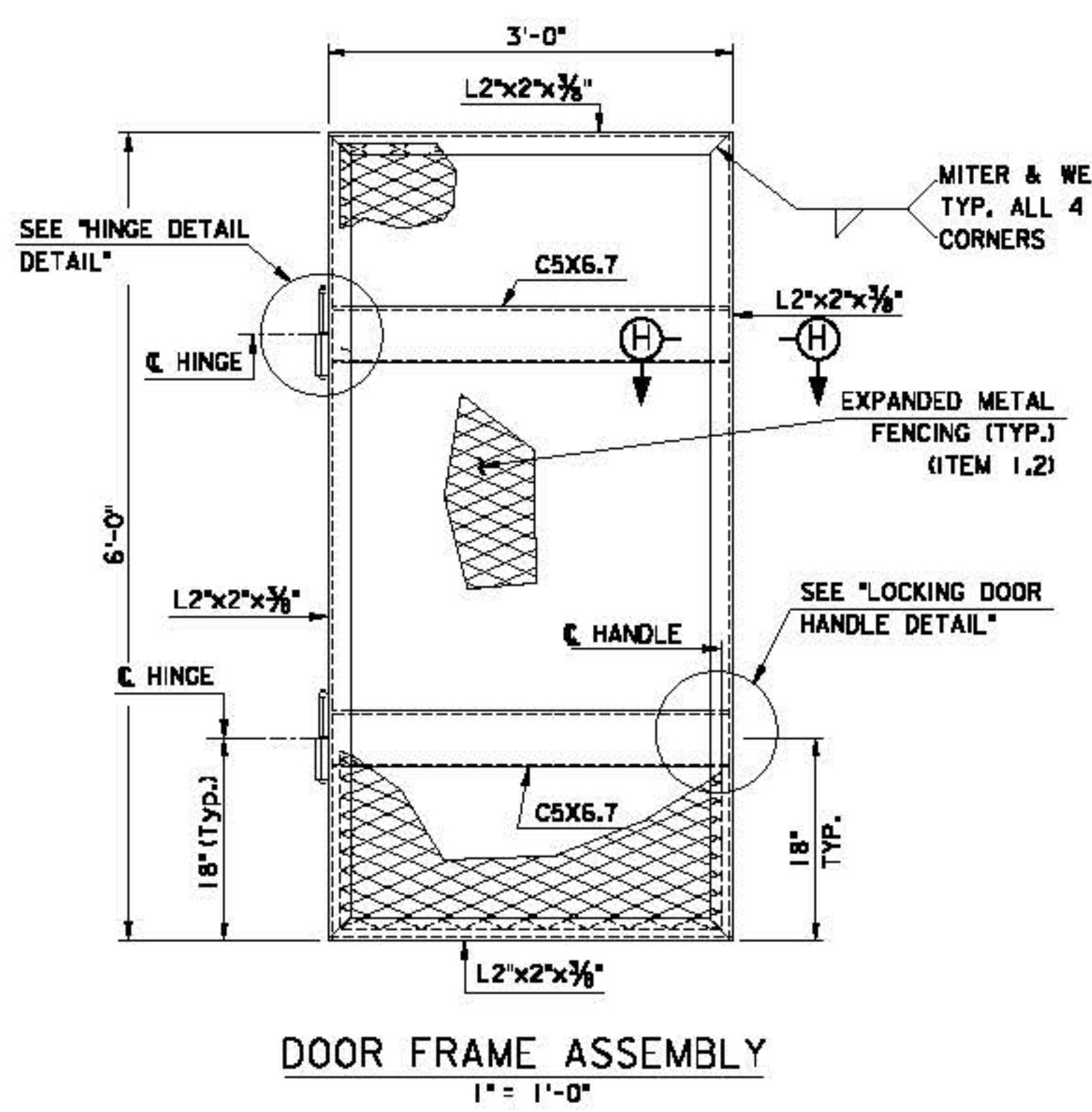


DATE: \$DATE\$

FILE: \$FILES\$



NOTES:

- EXPANDED METAL FENCING SHALL BE WELDED TO THE DOOR FRAME ANGLE WITH 1" LONG (MIN.) WELDS AT EQUALLY SPACED INTERVALS ALL AROUND THE DOOR FRAME PERIMETER. SPACING NOT TO EXCEED 9". SPOT REPAIR ALL DAMAGED GALVANIZING ON FENCING AND HINGES AFTER FABRICATION IN ACCORDANCE WITH ASTM A-780.

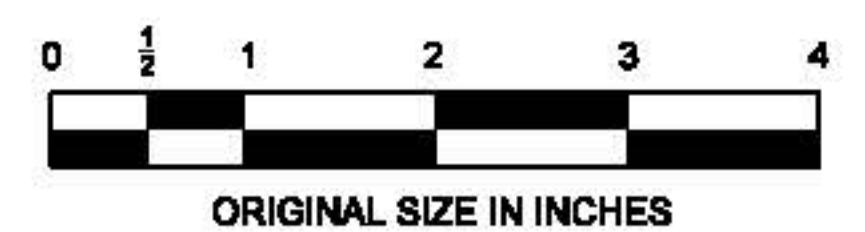
BILL OF MATERIALS NOTES:

- THE BILL OF MATERIALS PRESENTED ON THIS SHEET IS PROVIDED FOR INFORMATION PURPOSES ONLY. THE CONTRACTOR IS RESPONSIBLE FOR ENSURING THAT THE ITEMS SHOWN IN THIS BILL OF MATERIALS ARE CORRECT AND CURRENTLY AVAILABLE. SHOULD ANY OF THE SHOWN ITEMS NOT CONFORM TO THE DESIGN INTENT OF THESE STANDARD DRAWINGS OR THE STANDARD SPECIFICATIONS, THE ENGINEER SHALL BE CONTACTED IMMEDIATELY. SHOULD ANY OF THE SHOWN ITEMS BECOME NO LONGER AVAILABLE FROM THE LISTED SOURCES, THE AUTHORITY SHALL BE CONTACTED IMMEDIATELY FOR SELECTION OF AN APPROVED ALTERNATE ITEM.
- SHOP DRAWINGS AND/OR MANUFACTURER'S DETAILED LITERATURE SHALL BE SUBMITTED TO THE ENGINEER FOR REVIEW AND APPROVAL FOR ALL ITEMS PRIOR TO INSTALLATION IN ACCORDANCE WITH THE SPECIFICATIONS.
- EQUIVALENT ITEMS MAY BE SUBSTITUTED FOR ANY OF THE LISTED ITEMS WITH THE ENGINEER'S REVIEW AND APPROVAL. ALL MATERIAL, STRENGTH, AND SAFETY PROPERTIES OF THE SUBSTITUTED ITEMS SHALL BE EQUAL TO OR GREATER THAN THOSE OF THE LIST.
- SAFETY EDGING SHALL BE A FABRICATED U-SHAPE WITH TWO EQUAL OUTSTANDING LEGS 2" TALL WRAPPED AROUND THE EXPANDED METAL MESH, AND A 0.295" OPENING BETWEEN THE OUTSTANDING LEGS. SAFETY EDGING SHALL BE FABRICATED FROM 18GA (0.0475") HOT ROLLED STEEL AND SECURED TO THE EXPANDED METAL MESH USING SS 1/4" DIA. X 1" LONG MACHINE SCREWS WITH NUT AND WASHER.
- CONTACT INFORMATION FOR THE LISTED MANUFACTURERS:
 AMICO (ALABAMA METAL INDUSTRIES CORPORATION)
 3245 FAYETTE AVENUE
 BIRMINGHAM, AL 35208
 1-800-366-2642
 WWW.AMICO-SECURITYPRODUCTS.COM

 MCMaster-CARR
 200 NEW CANTON WAY
 ROBINNSVILLE, NJ 08691
 1-609-689-3000
 WWW.MCMaster.COM

 LOCTITE BRAND CONSUMER PRODUCTS
 1-800-321-0253
 WWW.LOCTITEPRODUCTS.COM

BILL OF MATERIALS			
SUBASSEMBLY	ITEM NO.	ITEM DESCRIPTION	SOURCING INFORMATION
1.0 ACCESS DOOR			
	1.1	WELD-ON HINGE	MCMaster CARR - 3636A6
	1.2	EXPANDED METAL FENCING (GALVANIZED)	AMICO "SECURA FENCE" - ASF 1.5-9R
	1.3	HANDLE (LOCKABLE, LADDER SIDE)	MCMaster CARR - 1249A11
	1.4	SECURITY CLIPS	AMICO "SECURA CLIPS"
	1.5	SAFETY EDGING	AMICO SAFETY EDGING 2" X 0.295" (SEE NOTE 4)
2.0 STAIR WELL			
	2.1	ALUM. TREAD NOSING, 36" LONG	MCMaster CARR - 6846T41
	2.2	SS. THREADED FLANGE	MCMaster CARR - 44695K14
	2.3	1 1/4" ALUM. THREADED PIPE POST	MCMaster CARR - 5038K37
	2.4	1 1/4" ALUM. PIPE RAIL	MCMaster CARR - 5038K271
	2.5	RAILING PIPE ELBOW	MCMaster CARR - 4698T33



BY	DATE
EMG	08/2010
EG	08/2010
GH	08/2010
RJS	08/2010

APP. NO.	DATE	REVISION
C	10/2013	CONFORMED DRAWING

NEW JERSEY TURNPIKE AUTHORITY
NEW JERSEY TURNPIKE
VMS EQUIPMENT MEDIAN - 3

HINTB 8 DITM ROAD, SUITE 202,
 PARSIPPANY, NJ 07054 - (908) 246-2800/700
ANTHONY L. BARTELLO
 New Jersey Professional Engineer License No. GE 45842

STANDARD DRAWING ITS-19