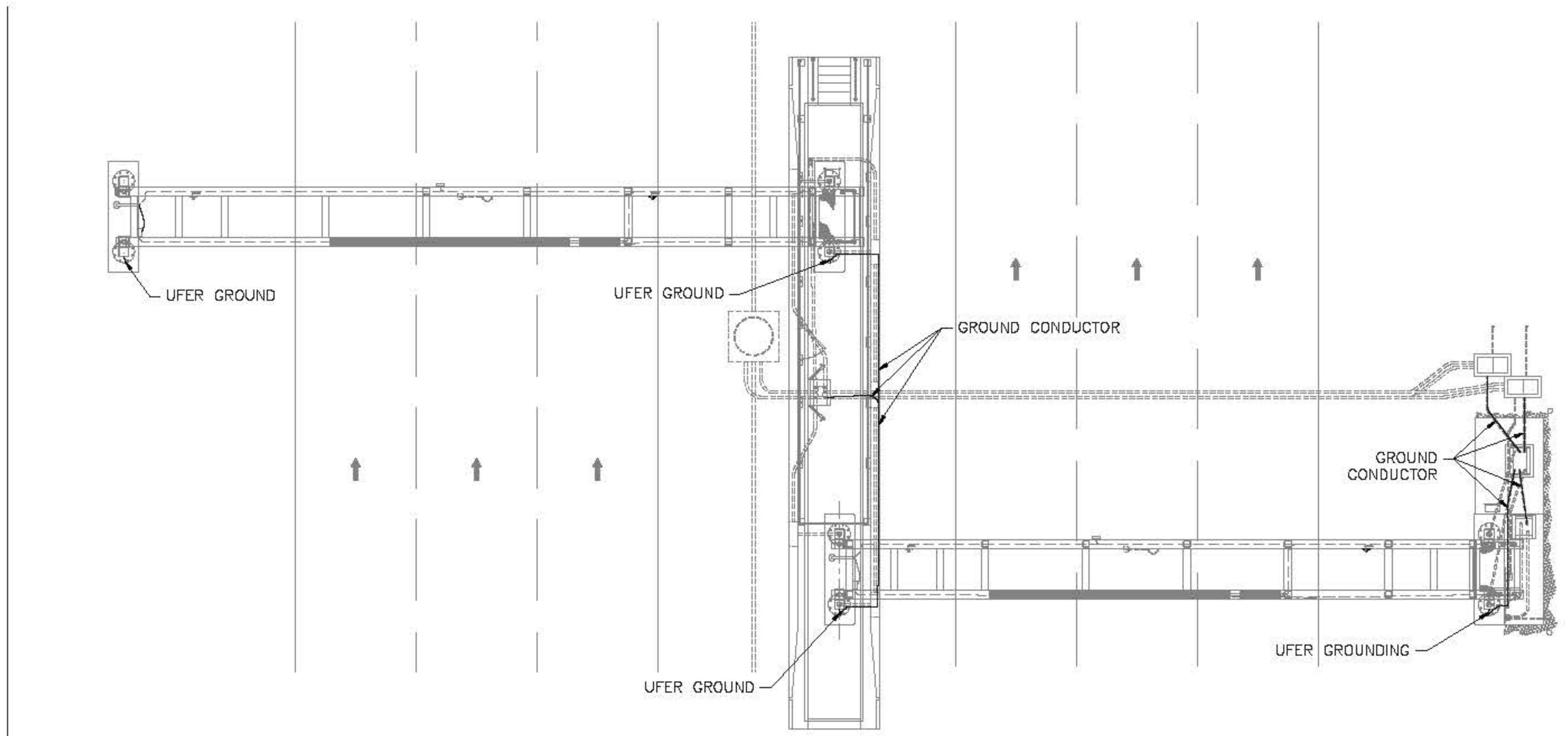
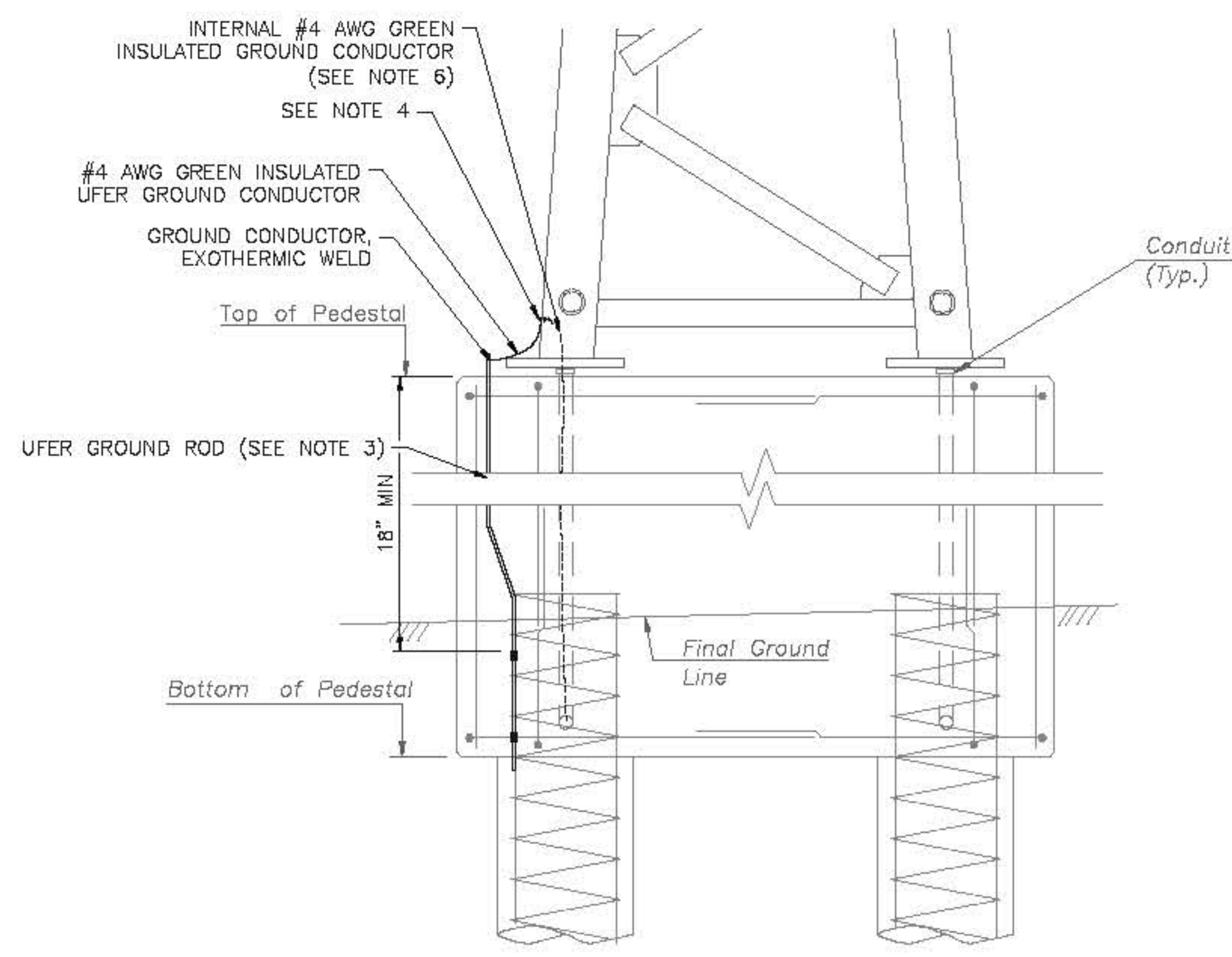


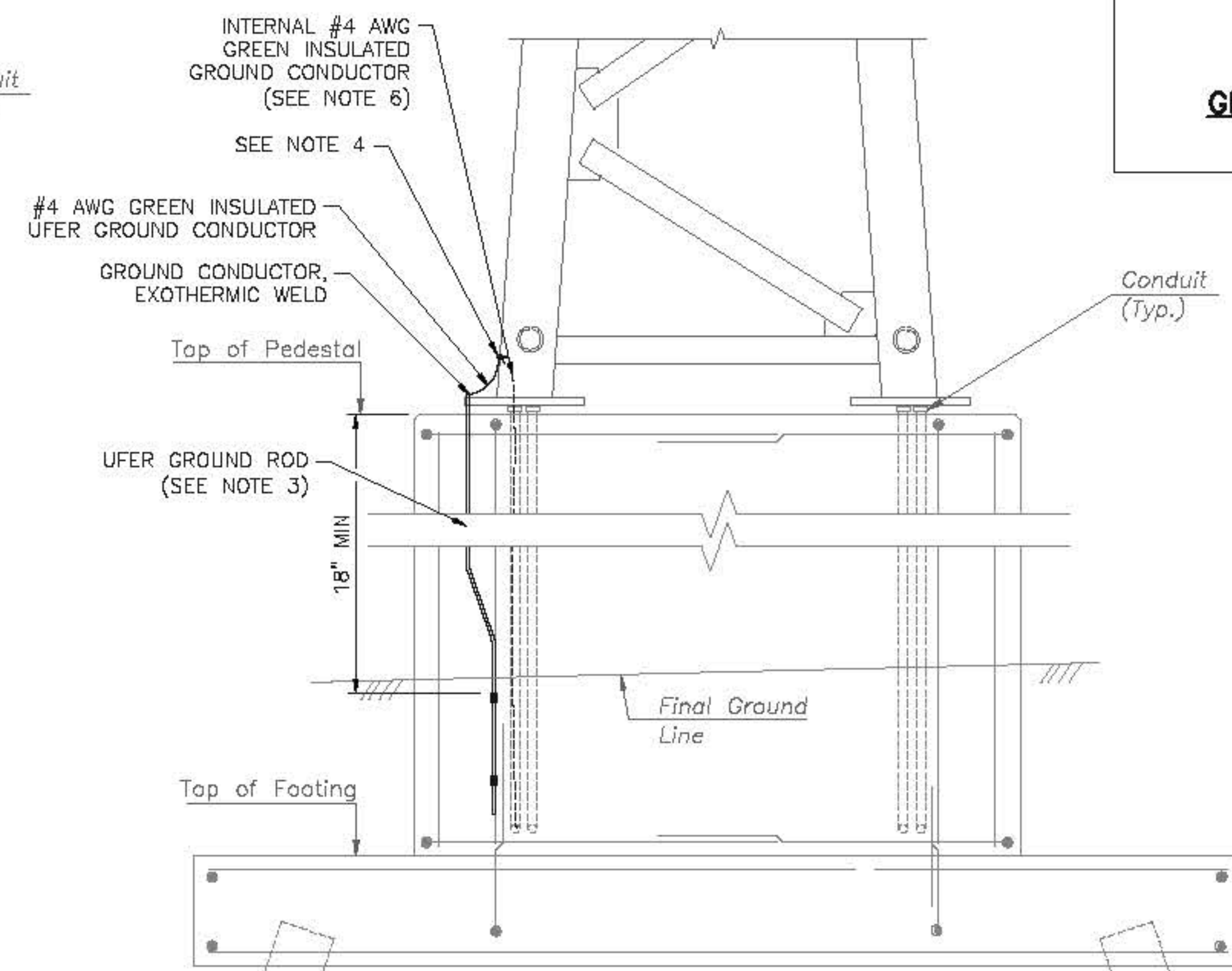
PLAN



GROUNDING LAYOUT
NOT TO SCALE



DRILLED SHAFT PEDESTAL UFER GROUND DETAIL
NOT TO SCALE



SPREAD FOOTING PEDESTAL UFER GROUND DETAIL
NOT TO SCALE

NOTES:

1. FOR LEGEND, ABBREVIATIONS, AND CABLE AND CONDUIT SCHEDULES SEE STANDARD DRAWING ITS-01 AND ITS-02.
2. UFER GROUND DETAIL SIMILAR FOR CANTILEVER, BUTTERFLY, AND OVERHEAD SIGN STRUCTURES.
3. GROUND ROD SHALL BE INSTALLED INSIDE THE CONCRETE FOUNDATION AND ATTACHED TO EITHER DRILLED SHAFT OR REBAR AT TWO PLACES, MINIMUM 12" APART. GROUND ROD SHALL BE ATTACHED TO EITHER DRILLED SHAFT OR REBAR USING COMPRESSION GROUND TAP CONNECTOR, AS MANUFACTURED BY BLACKBURN OR APPROVED EQUAL. GROUND ROD SHALL HAVE SLIGHT "S" BEND TO AVOID INTERFERENCE WITH ANCHOR BOLTS. GROUND ROD SHALL NOT BE EXTENDED BEYOND 3" ABOVE FINISHED FOUNDATION PEDESTAL. ALTERNATIVE GROUND CONNECTION METHODS SHALL BE SUBMITTED FOR APPROVAL TO THE ENGINEER.
4. SEE STANDARD DRAWING ITS-11 FOR SIGN GROUNDING DETAIL.
5. UFER GROUND CONNECTION SHALL BE ON THE LEG OPPOSITE OF THE STAIRCASE FOR THE INNER SIGN STRUCTURE AS SHOWN ON STANDARD DRAWING ITS-20.
6. INTERNAL GROUND CONDUCTOR SHALL BE ROUTED THRU CONDUIT TO SCC GROUND ROD FOR ITS EQUIPMENT PLATFORM TYPES 2, 3, AND 4. TAP INTERNAL GROUND CONDUCTOR TO SIGN STRUCTURE.
7. ALL GROUNDING CONDUCTORS SHALL HAVE GREEN OUTER INSULATION.

	BY	DATE
MADE	EMG	1/2012
TRACED	MDC	1/2012
CHECKED	EMG	1/2012
SUPERISED	ALB	1/2012

APP. NO.	DATE	REVISION
C	10/2013	CONFORMED DRAWING

NEW JERSEY TURNPIKE AUTHORITY
NEW JERSEY TURNPIKE
 PEDESTAL UFER GROUND DETAIL
 HNTB 9 ENTHN ROAD, SUITE 202, PARLISIPPA, NJ 07054 - CO# 24628000700
ANTHONY L. BARTELLO
 STANDARD DRAWING ITS-16