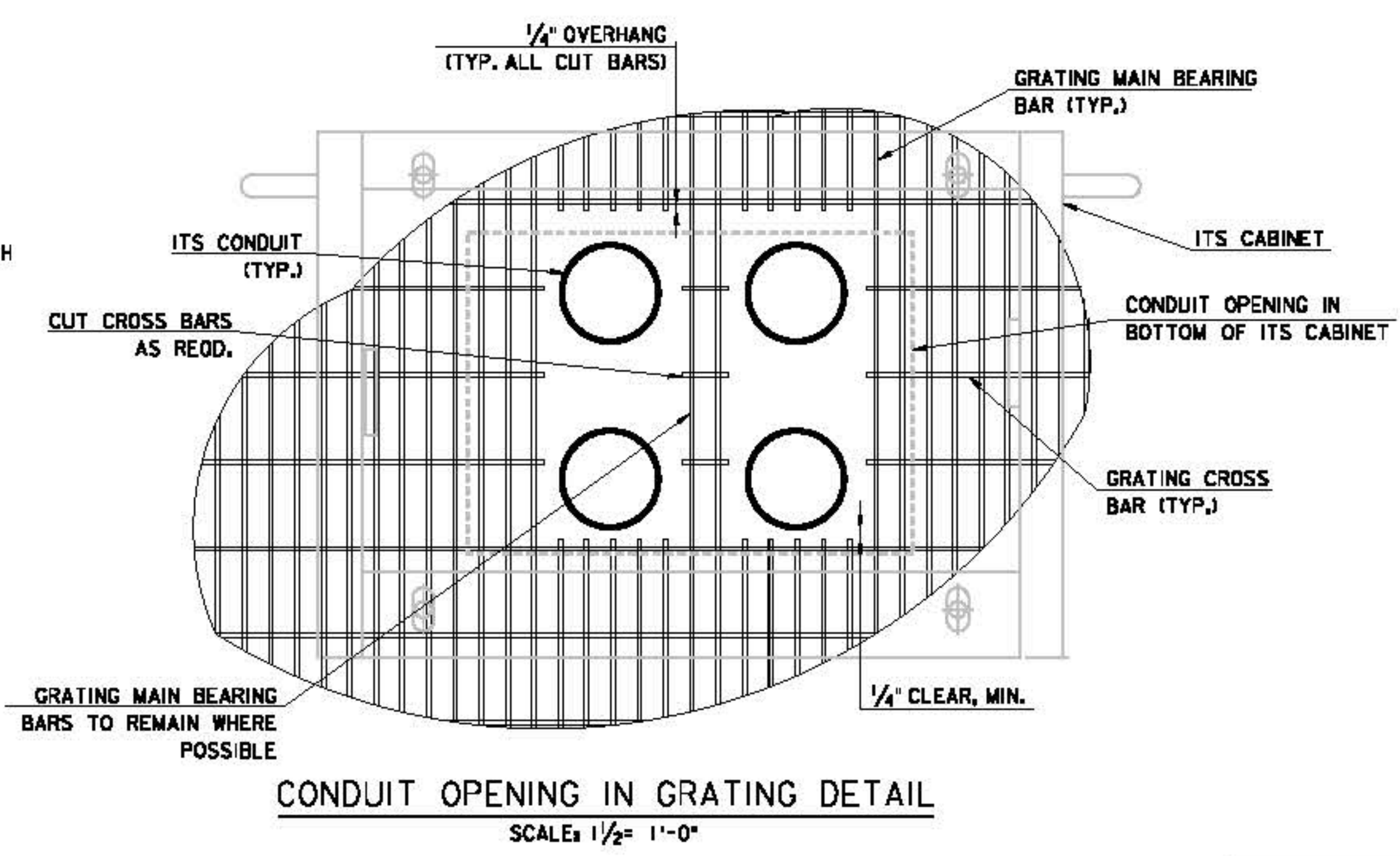
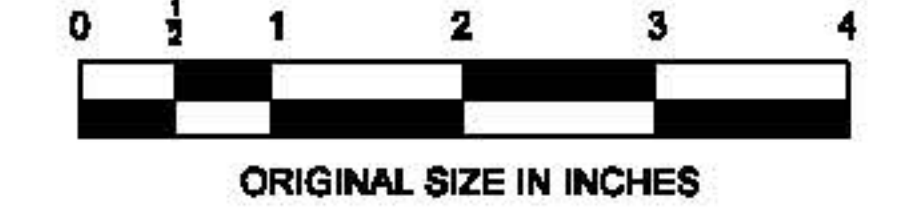
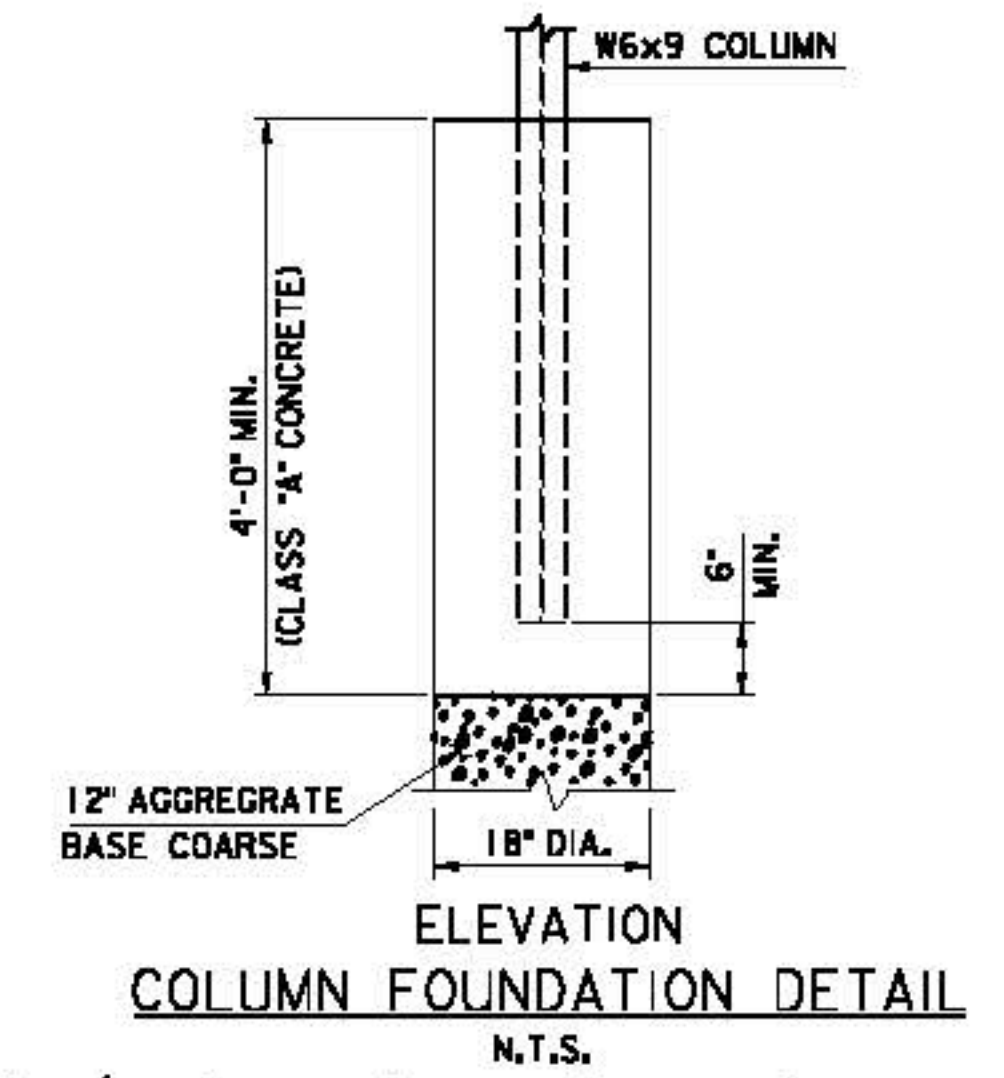
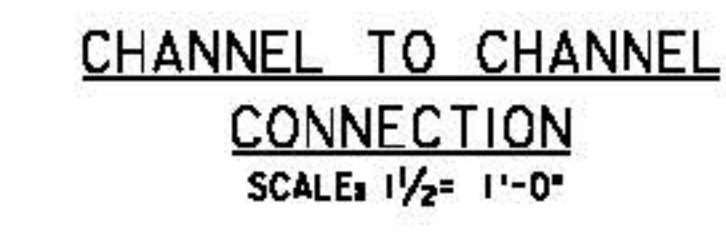
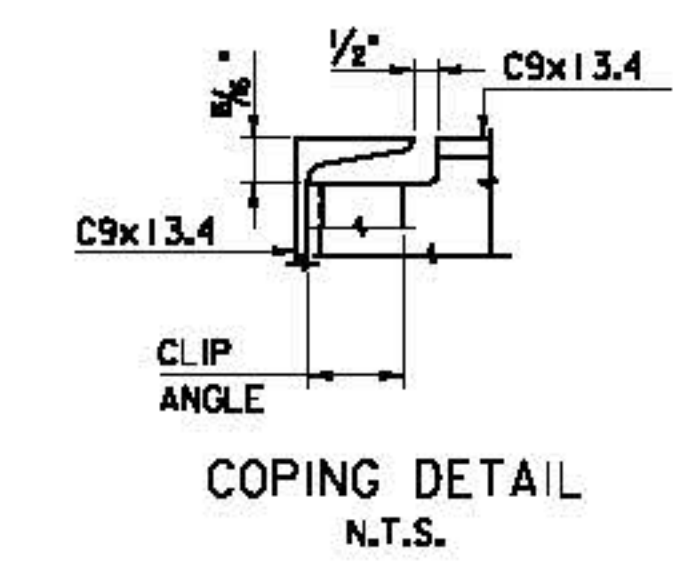
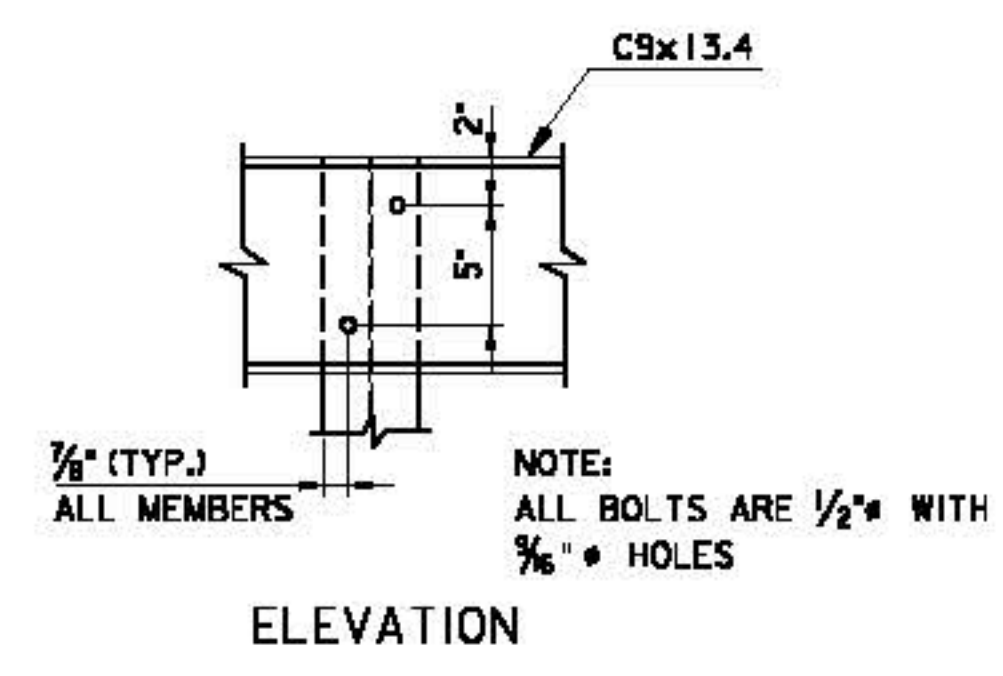
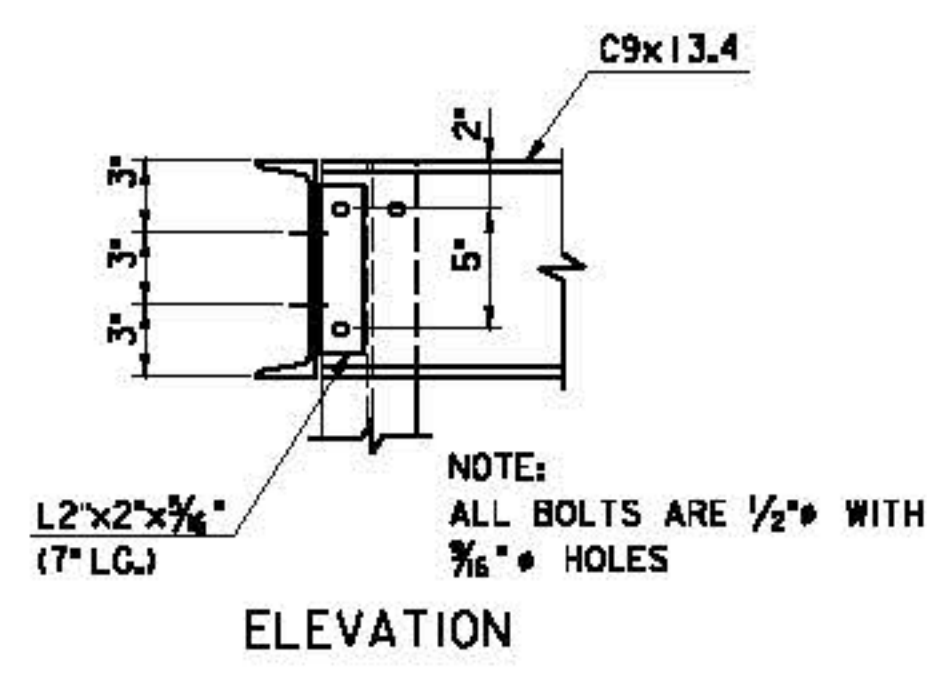
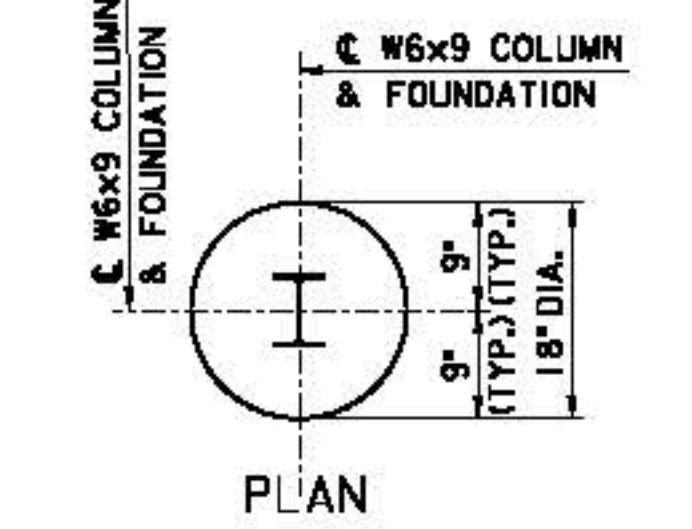
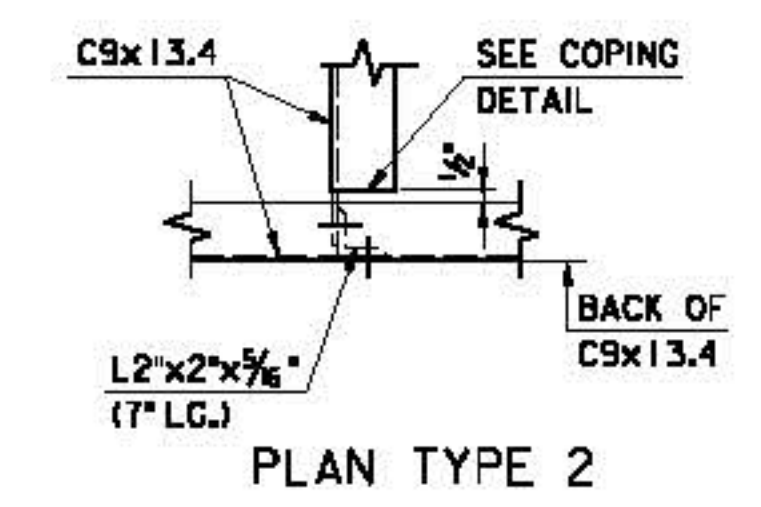
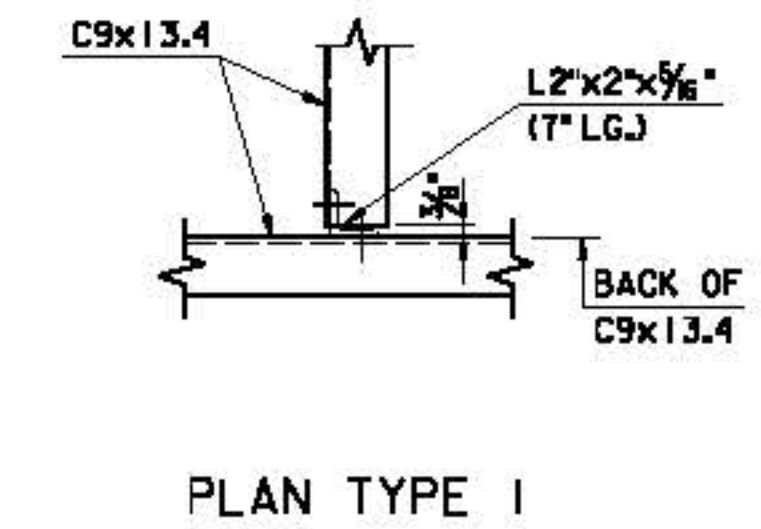
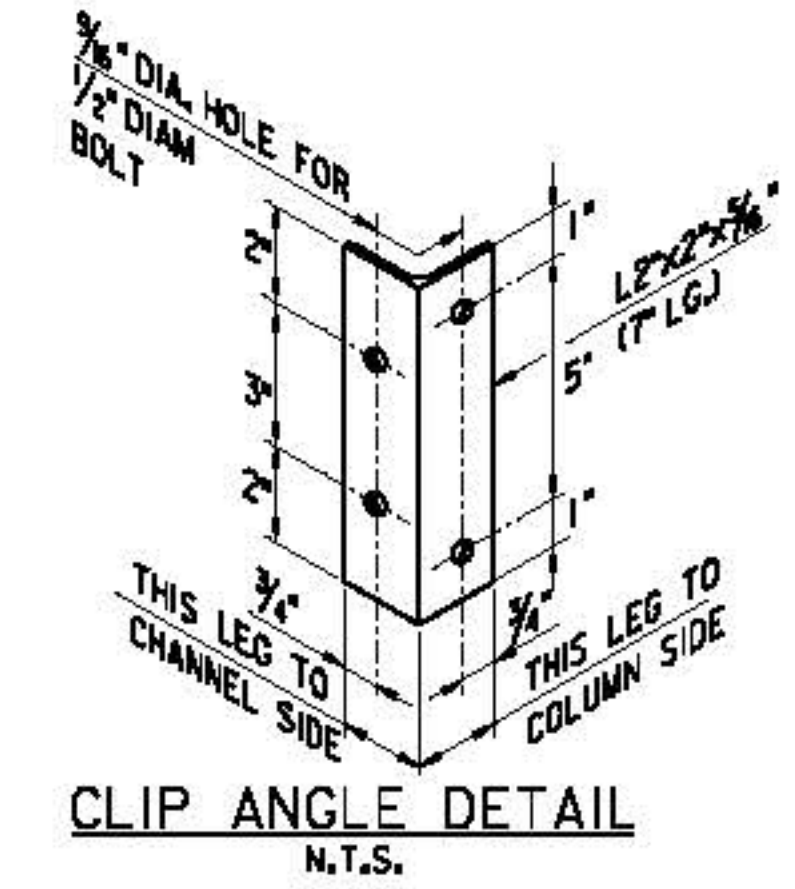
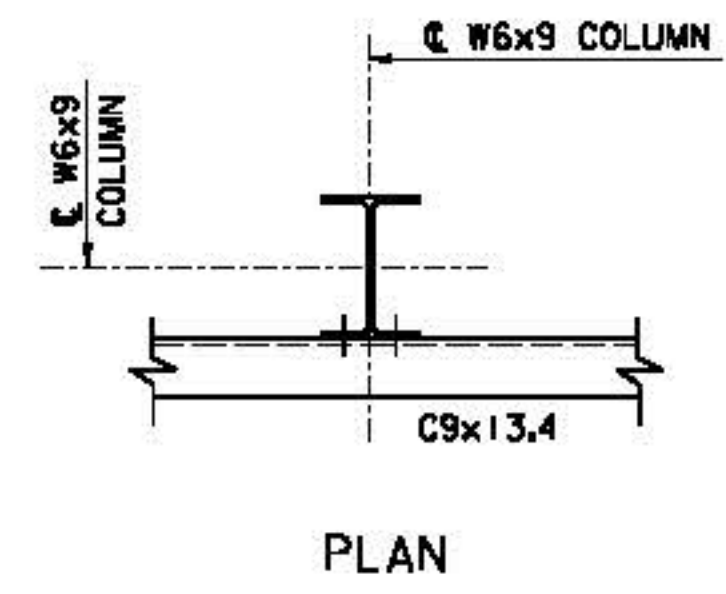
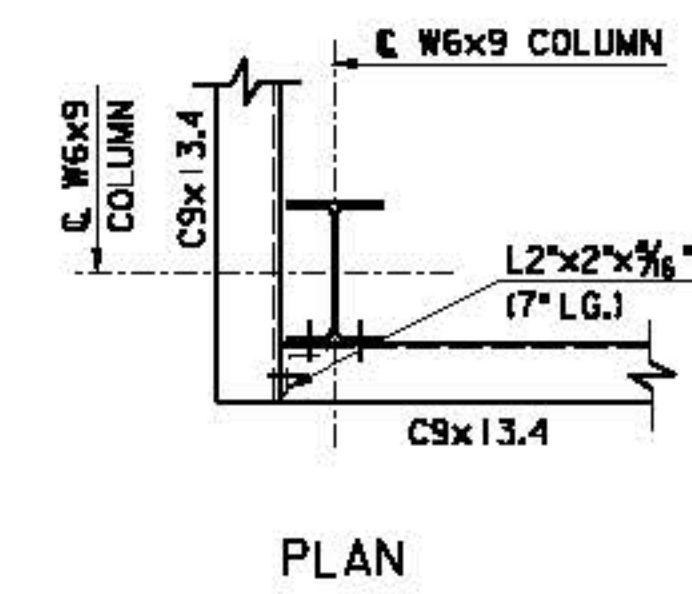
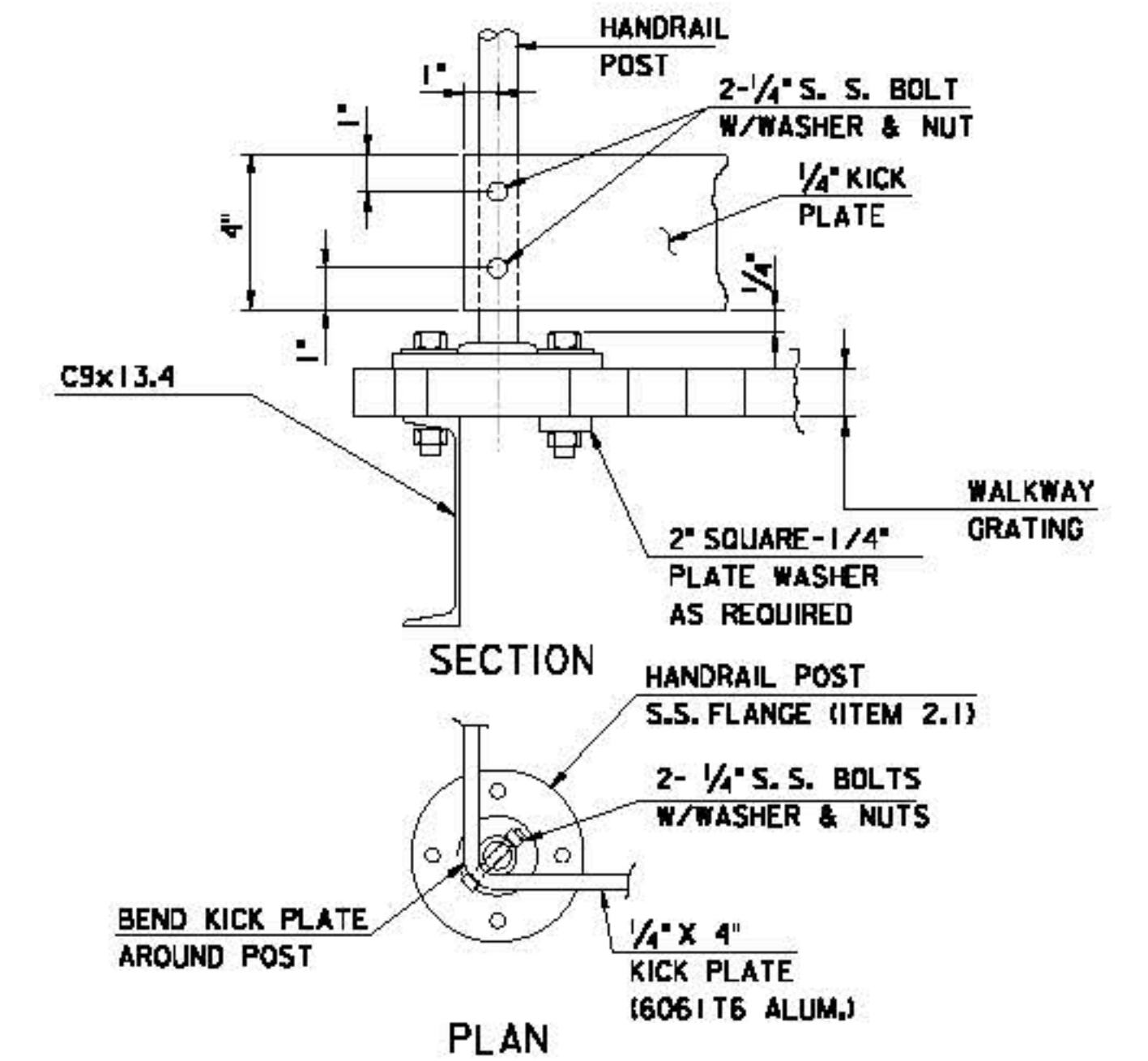
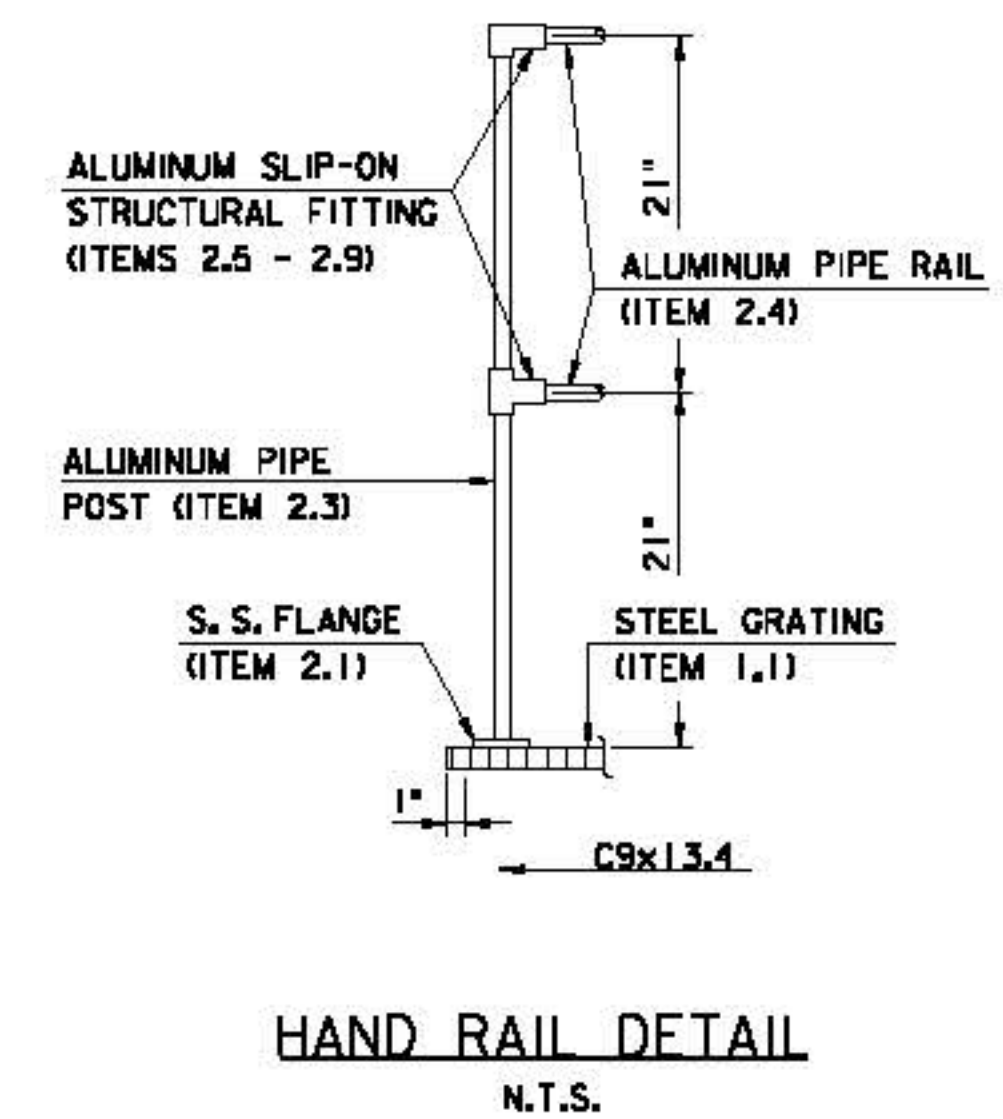


BILL OF MATERIALS (B.O.M.) FOR VMS/VSLs EQUIPMENT PLATFORM			
SUBASSEMBLY	ITEM NO.	ITEM DESCRIPTION	SOURCING INFORMATION
1.0 PLATFORM GRATING			
	1.1	STEEL GRATING (GALVANIZED)	MCNICHOLS GW-150 SERRATED
	1.2	SADDLE CLIPS	MCNICHOLS TYPE CB, STAINLESS STEEL
2.0 HAND RAILING			
	2.1	STAINLESS STEEL THREADED FLANGE	MCMaster-CARR - 44695K14
	2.2	NUT	MCMaster-CARR - XXXXXXX
	2.3	ALUMINUM THREADED PIPE POST	MCMaster-CARR - 5038K137
	2.4	ALUMINUM PIPE RAIL	MCMaster-CARR - 5038K22
	2.5	RAILING PIPE TEE (TOP RAIL)	MCMaster-CARR - 4698T16
	2.6	RAILING PIPE ELBOW (TOP RAIL)	MCMaster-CARR - 4698T33
	2.7	RAILING PIPE 3-OUTLET ELBOW (TOP RAIL)	MCMaster-CARR - 4698T113
	2.8	RAILING PIPE ELBOW WITH THRU-HOLE (MID RAIL)	MCMaster-CARR - 4698T38
	2.9	RAILING PIPE 2-PIECE ELBOW W/ THRU HOLE	MCMaster-CARR - 4698T75



TYPICAL CORNER COLUMN TO CHANNEL CONNECTION
SCALE: 1/2" = 1'-0"

TYPICAL COLUMN TO CHANNEL CONNECTION
SCALE: 1/2" = 1'-0"

CHANNEL TO CHANNEL CONNECTION
SCALE: 1/2" = 1'-0"

ELEVATION COLUMN FOUNDATION DETAIL
N.T.S.

CONDUIT OPENING IN GRATING DETAIL
SCALE: 1/2" = 1'-0"

DATE: \$DATE\$

FILE: \$FILES\$

	BY	DATE
ISSUED	EMG	08/2010
REVISION	EG	08/2010
CHECKED	GH	08/2010
APPROVED	RJS	08/2010

APP. NO.	DATE	REVISION
C	10/2013	CONFORMED DRAWING

CONTRACT NO. SHEET NO. OF

NEW JERSEY TURNPIKE AUTHORITY
NEW JERSEY TURNPIKE
 ITS EQUIPMENT PLATFORM
 TYPE 4 DETAILS - 2

HNTB 6 DITM ROAD, SUITE 202,
 PRINCETON, NJ 07854 - (609) 249-2800/700

ANTHONY L. BARTELLO
Anthony L. Bartello
 New Jersey Professional Engineer License No. GE 45842

STANDARD DRAWING
ITS-15