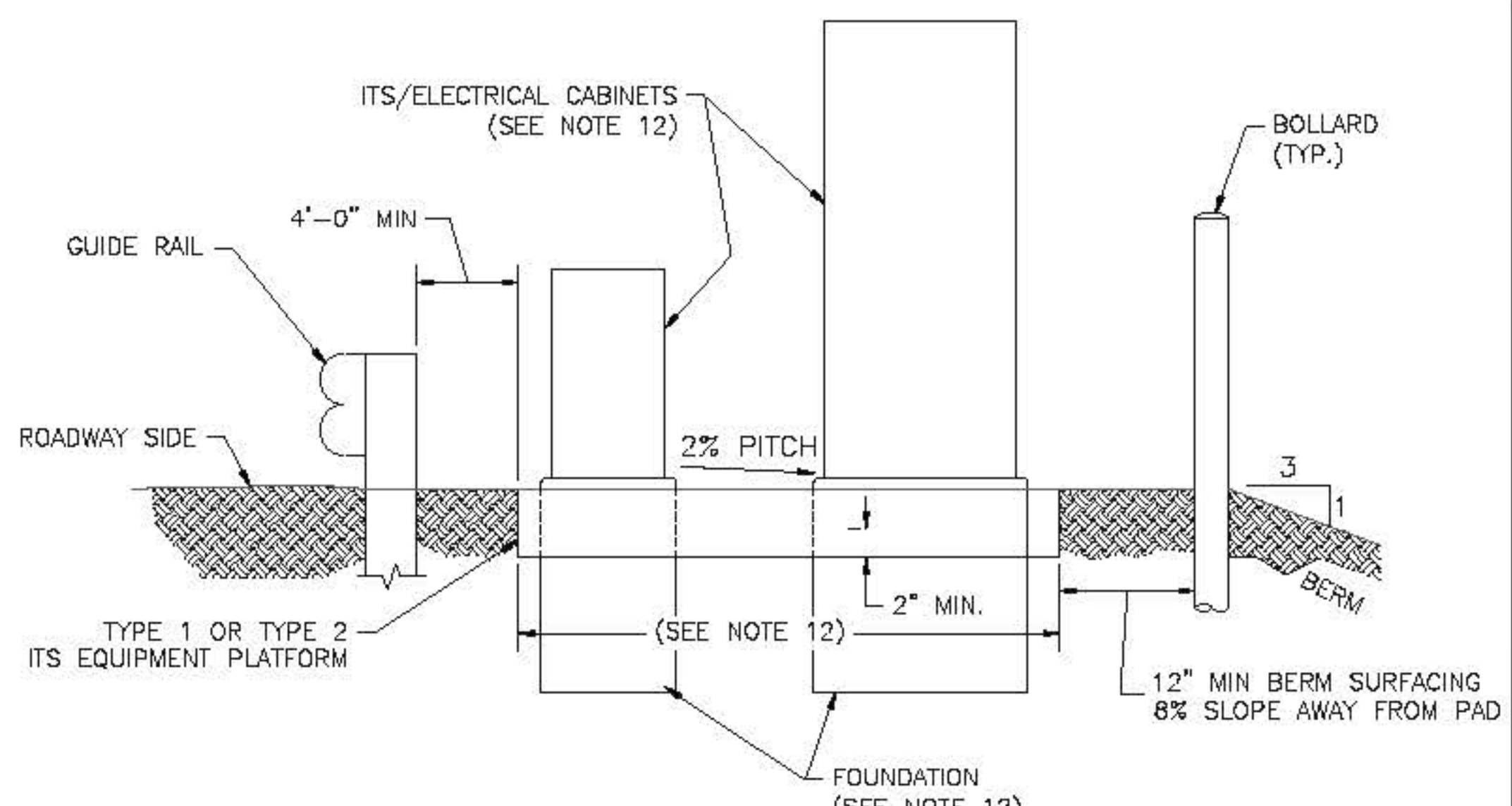


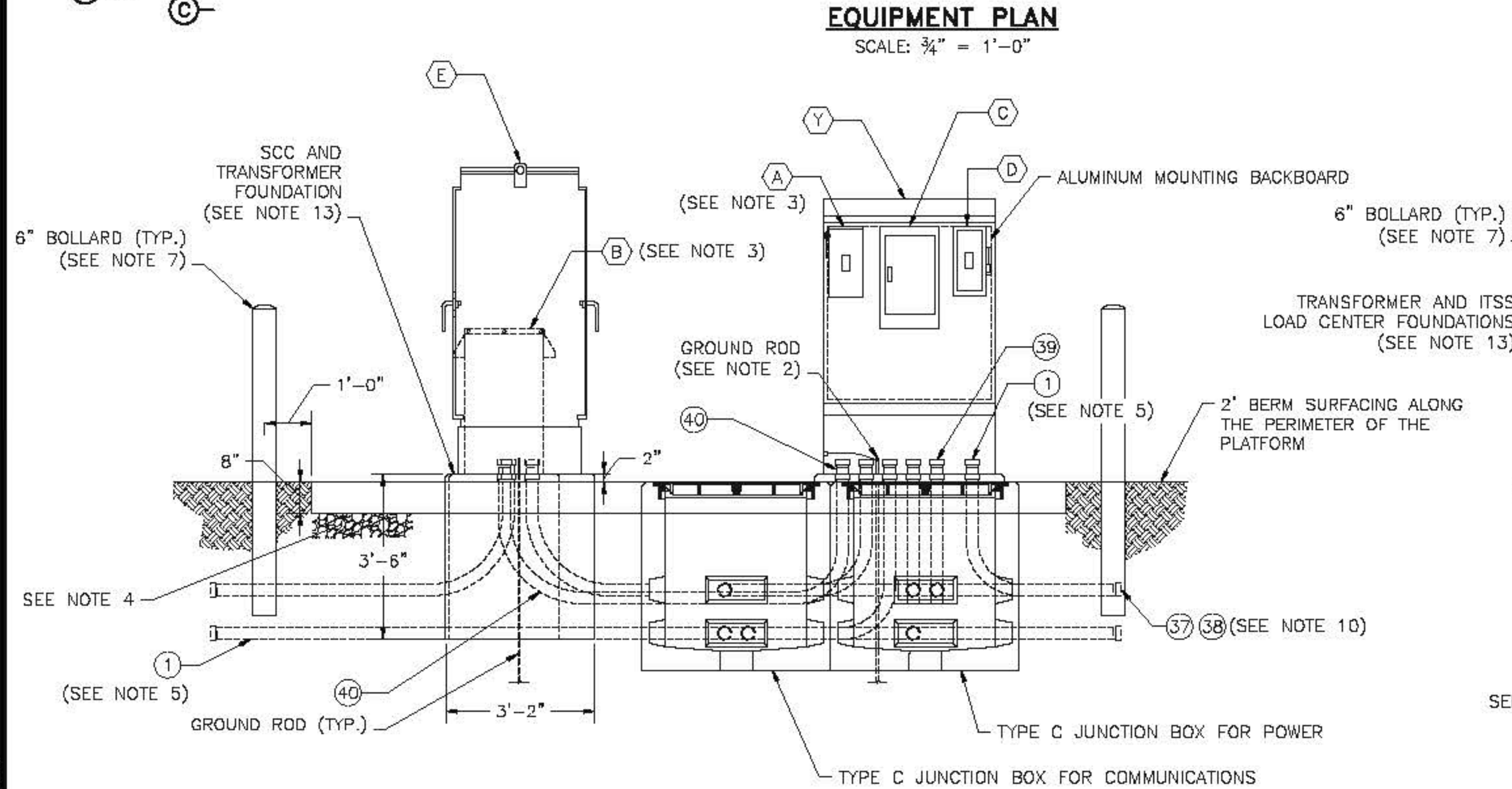
EQUIPMENT PLAN
SCALE: 3/4" = 1'-0"



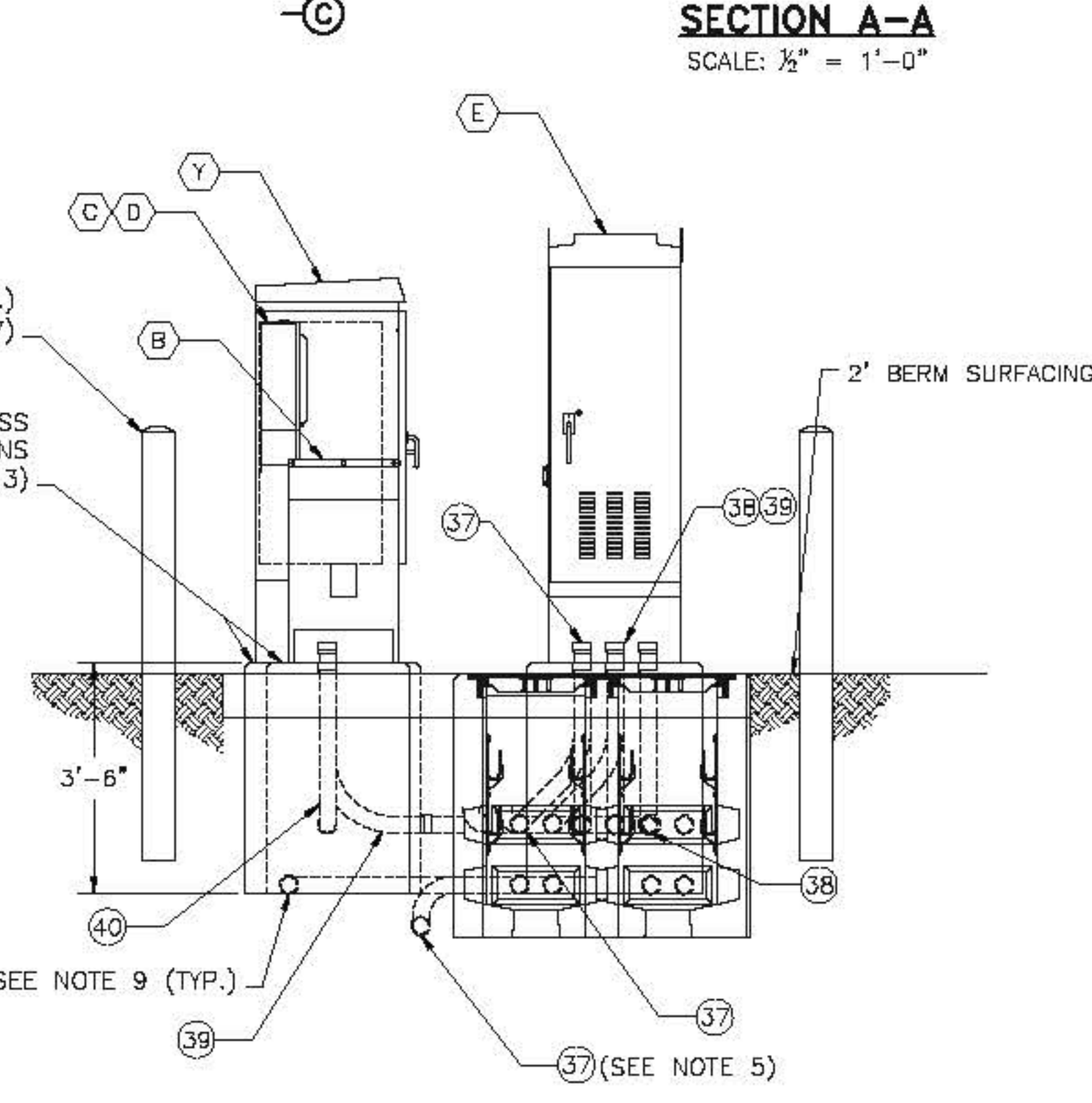
TYPE 1 ITS EQUIPMENT PLATFORM ELEVATION
(SEE NOTE 7)
SCALE: NTS

NOTES:

- FOR LEGEND, ABBREVIATIONS, AND CABLE AND CONDUIT SCHEDULES SEE ITS-01 AND ITS-02.
- INSTALL A 10' X 3/4" GROUND ROD THROUGH THE FOUNDATION OF THE ITSS LOAD CENTER. SEE SECTION 91B OF THE STANDARD SPECIFICATIONS FOR MORE INFORMATION.
- THE ITSS TRANSFORMER, CONDUIT #40, AND ITSS DISCONNECT WITH ASSOCIATED WIRING SHALL BE INSTALLED WHERE REQUIRED AND DIRECTED ON THE PLANS.
- A 6" LAYER OF AGGREGATE BASE COURSE SHALL BE INSTALLED UNDER THE CONCRETE WORK PAD.
- EITHER CONDUIT MAY BE USED TO PULL CABLES DEPENDING ON THE DIRECTION FROM WHICH THE INCOMING UTILITY SERVICE ENTERS THE INSTALLATION SITE.
- ALL CONDUIT SHOWN ON THIS SHEET SHALL BE 3" RNM-40 UNLESS NOTED OTHERWISE.
- INSTALL BOLLARDS AS SHOWN, TOTAL NUMBER OF BOLLARDS MAY VARY. SEE CONTRACT PLANS. FINAL LOCATION MAY BE ADJUSTED IN THE FIELD. SEE ITS-11 FOR DETAILS.
- THE CONCRETE WORK PAD SHALL BE A MINIMUM OF 8" THICK AND SHALL HAVE AN EXPOSED LIP OF 4" ABOVE GRADE. IT SHALL BE CONSTRUCTED WITH A LAYER OF WWF6 X 6-W11 X W11 FABRIC ALONG THE BASE. THE SIZE AND DEPTH OF THE CONCRETE WORK PAD WILL VARY DEPENDING ON FIELD CONDITIONS.
- SPARE CONDUIT(S) NOT LABELED OR IDENTIFIED ON THIS SHEET SHALL BE 3" RNM-40 AND BE CAPPED FOR FUTURE USE. USE AS DIRECTED ON THE CONTRACT PLANS.
- CONDUITS #37 AND #38 SHALL CONTINUE TO THE INSTALLATION SITE OF THE VMS STRUCTURE AS SHOWN ON THE PLANS. SEE ITS-07 AND ITS-08 FOR REFERENCE.
- SPARE CONDUIT SHALL BE STUBBED AND CAPPED APPROXIMATELY 18"-24" AWAY FROM WORK PAD AND ANY FOUNDATIONS.
- SEE PLANS FOR TYPE AND LOCATION OF ITS PLATFORM AND ITS/ELECTRICAL EQUIPMENT. SEE DRAWINGS ITS-09 AND ITS-11 FOR DIMENSIONAL DETAILS.
- ALL EQUIPMENT PLATFORMS SHALL BE CONSTRUCTED WITH 2% SLOPE. EQUIPMENT FOUNDATIONS SHALL BE LEVEL AND RAISED 1"-2" ABOVE PLATFORM AND SHALL BE CONSTRUCTED WITH ANCHOR BOLTS TO SECURE EQUIPMENT TO FOUNDATION.



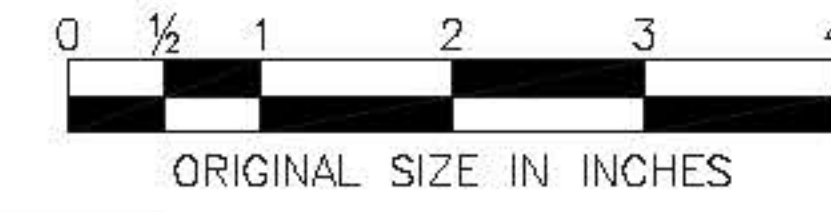
EQUIPMENT ELEVATION C-C
SCALE: 1/2" = 1'-0"



EQUIPMENT ELEVATION B-B
SCALE: 1/2" = 1'-0"

	BY	DATE
MADE	EMG	08/2010
TRACED	EMG	08/2010
CHECKED	MS	08/2010
SUPERSED	ALB	08/2010

ACAD FILE NAME: NJTA-SD ITS-09.dwg Layout: .Layout1



APP.	NO.	DATE	REVISION
C	10/2013		CONFORMED DRAWING

NEW JERSEY TURNPIKE AUTHORITY
NEW JERSEY TURNPIKE
 ITS EQUIPMENT PLATFORM
 TYPE 1 DETAILS

HNTB 9 ENVIN ROAD, SUITE 202, PARLISSEPPANY, NJ 07054 - CO# 24628000700
ANTHONY L. BARTELLO
 New Jersey Professional Engineer License No. 0E 40892

STANDARD DRAWING
 ITS-09