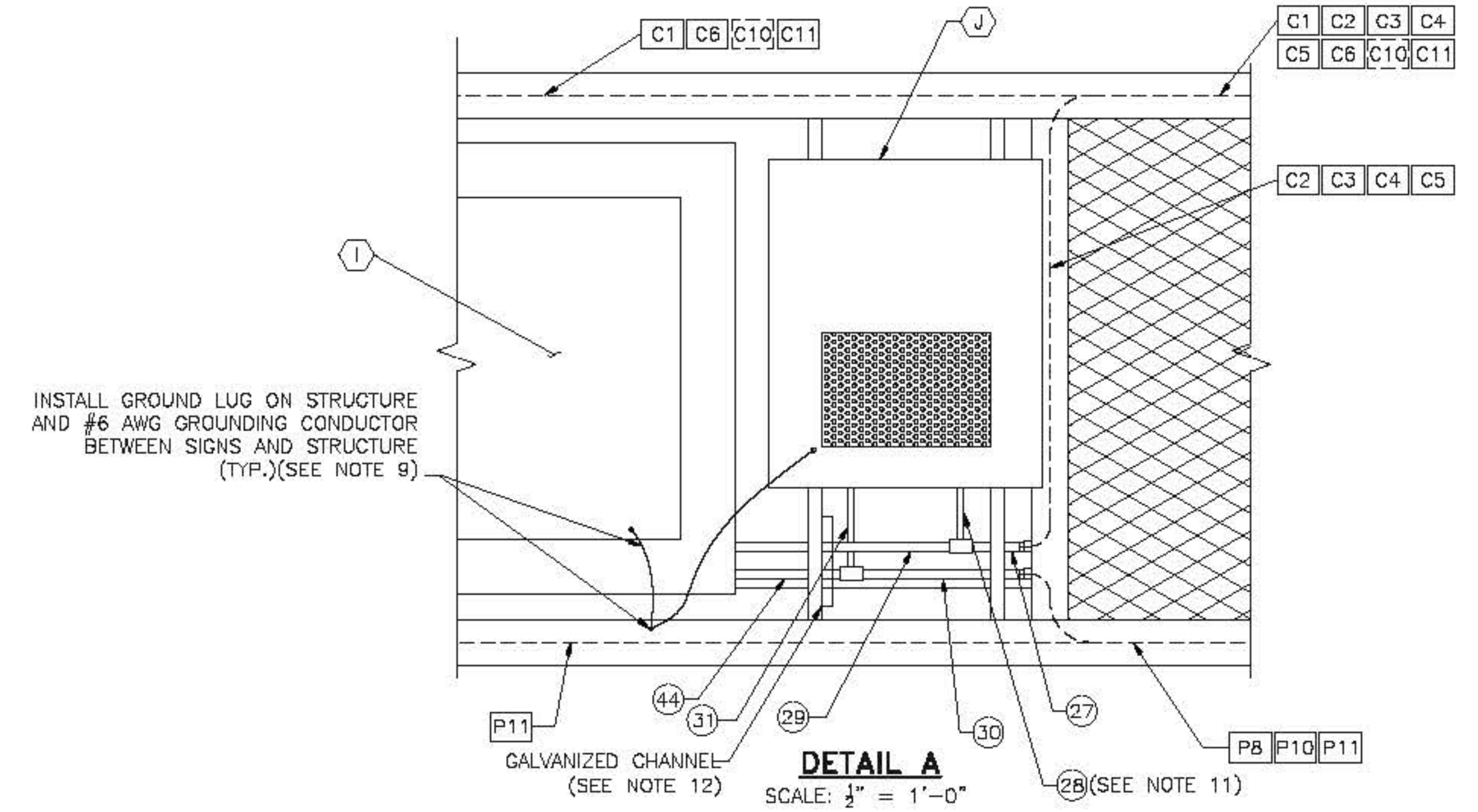


ELEVATION

SCALE: 3/16" = 1'-0"

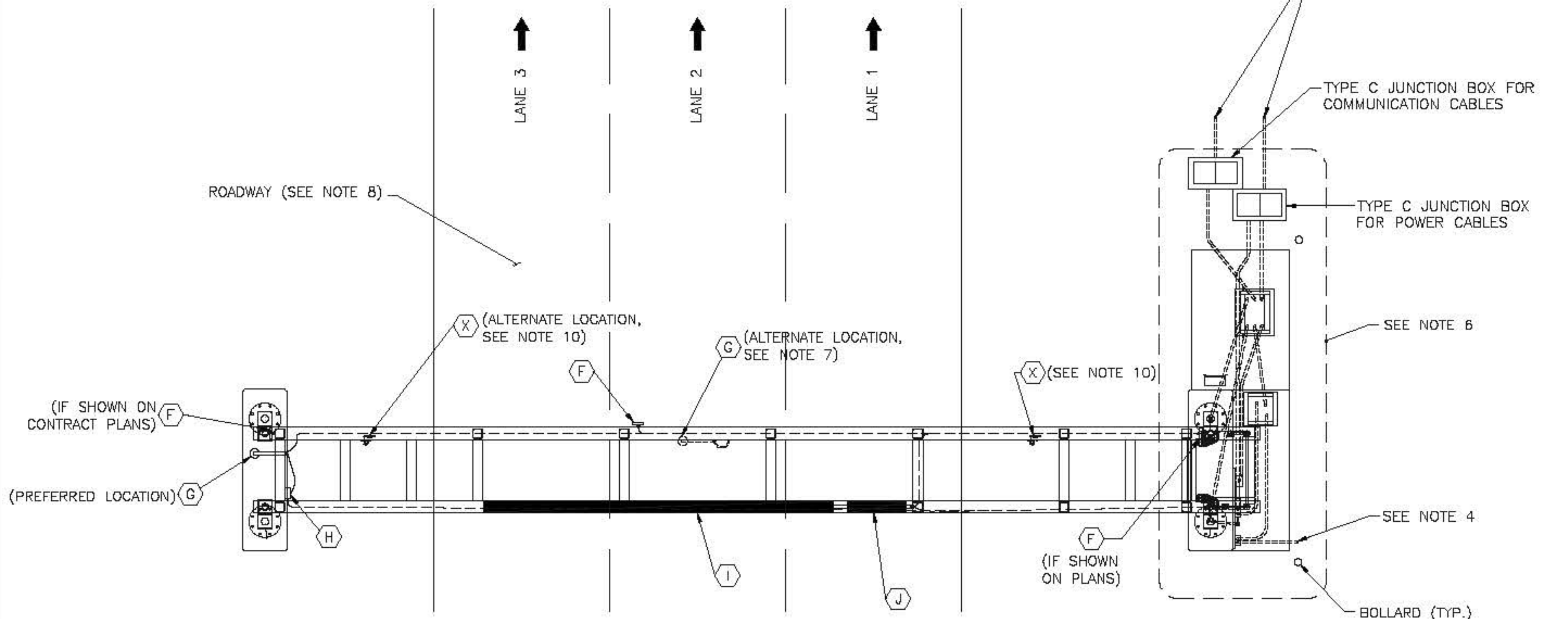


DETAIL A

SCALE: 1/2" = 1'-0"

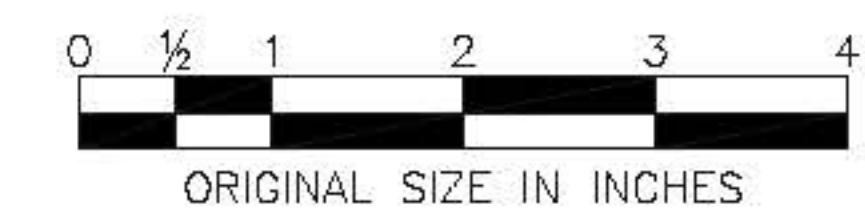
NOTES:

1. FOR LEGEND, ABBREVIATIONS, AND CABLE AND CONDUIT SCHEDULES SEE STANDARD DRAWINGS ITS-01 AND ITS-02.
2. THE MINIMUM HEIGHT OF THE SIGN STRUCTURE TO THE ROADWAY SHALL BE AS SHOWN ON THE VM STANDARD DRAWINGS.
3. FOR INFORMATION ON THE WIDTH OF THE ROADWAY AND SHOULDERS SEE THE CONTRACT PLANS.
4. THE DIRECTION OF INCOMING SERVICE CABLES WILL VARY. SEE PLANS FOR DETAILS.
5. SEE STANDARD DRAWING ITS-10 AND ITS-11 FOR DETAILS OF THE ITS EQUIPMENT PLATFORM.
6. ITS EQUIPMENT PLATFORM TYPE 2 IS SHOWN ON THIS DRAWING. SEE STANDARD DRAWINGS ITS-10 AND ITS-11 FOR DETAILS. USE ITS EQUIPMENT PLATFORM TYPE 4 WHERE DIRECTED ON THE CONTRACT PLANS. FOR ITS EQUIPMENT PLATFORM TYPE 4 DETAILS SEE STANDARD DRAWINGS ITS-14 AND ITS-15.
7. INSTALL CCTV IN PREFERRED LOCATION UNLESS DIRECTED BY ENGINEER TO INSTALL IN ALTERNATE LOCATION TO IMPROVE CCTV LINE OF SIGHT DUE TO SITE SPECIFIC GEOMETRICS.
8. INSTALL WTS IN ROADWAY AS SHOWN ON THE CONTRACT PLANS. SEE STANDARD DRAWINGS ITS-24 AND ITS-25 FOR DETAILS.
9. CONTRACTOR SHALL INSTALL GROUNDING LUG ON SIGN STRUCTURE AND GROUNDING WIRE/BOND JUMPER BETWEEN VMS AND SIGN STRUCTURE.
10. THE LOCATION OF THE END NODE RADIO ANTENNA SHALL BE AS DIRECTED BY THE AUTHORITY. SEE DETAILS ON ITS-26 FOR INSTALLATION OF END NODE RADIO ANTENNA.
11. FOR GARDEN STATE PARKWAY SITES WITHOUT VSLs INSTALLATION, CONDUITS (29) AND (31) SHOWN IN "DETAIL A" NEED NOT BE INSTALLED; HOWEVER, TEE-FITTINGS SHALL BE INSTALLED FOR FUTURE USE. TEE-FITTINGS SHALL BE CAPPED WITH COPPER WIRE MESH AS RODENT BLOCKING MATERIAL.
12. CONDUITS (29) AND (44) SHALL BE SUPPORTED BY GALVANIZED CHANNEL, ATTACHED TO A C-CHANNEL.
13. ACCESS LADDER IS NOT SHOWN FOR CLARITY. SEE VM STANDARD DRAWINGS FOR DETAILS.



PLAN

SCALE: 3/16" = 1'-0"



	BY	DATE
MADE	EMG	08/2010
TRACED	MDC	08/2010
CHECKED	EMG	08/2010
SUPERISED	ALB	08/2010

APP. NO.	DATE	REVISION
C	10/2013	CONFORMED DRAWING

NEW JERSEY TURNPIKE AUTHORITY
NEW JERSEY TURNPIKE
 ITSS SINGLE DETAILS - 2

HNTB 9 BENTON ROAD, SUITE 202, PARLISIPANY, NJ 07054 - CO# 24628000700
ANTHONY L. BARTELLO
 State of New Jersey Professional Engineer License No. 0E 40202

STANDARD DRAWING ITS-04